

**MCZ**



**MANUALE DI USO ED  
INSTALLAZIONE**

**VIVO 70 WOOD  
VIVO 90 WOOD**



8901510600

<b>INTRODUCTION .....</b>	<b>4</b>
<b>1. WARNINGS AND WARRANTY CONDITIONS .....</b>	<b>5</b>
1.1. SAFETY WARNINGS .....	5
1.2. OPERATIONAL WARNINGS .....	5
1.3. WARRANTY CONDITIONS .....	6
1.3.1. Restrictions.....	6
1.3.2. Exclusions.....	6
1.4. IMPORTANT INFORMATION FOR CORRECT DISPOSAL OF THE PRODUCT IN ACCORDANCE WITH EC DIRECTIVE 2002/96/EC .....	6
<b>2. INSTALLATION IN ACCORDANCE WITH UNI 10683.....</b>	<b>7</b>
2.1. OPERATING AREA.....	7
2.2. PRECAUTIONS.....	7
2.3. CONNECTION TO THE EXTERNAL AIR INTAKE .....	8
2.4. CONNECTION TO THE FLUE PIPE .....	9
2.5. FLUE PIPE .....	9
2.5.1. Examples of flue pipes.....	10
2.6. COWL .....	11
<b>3. DIMENSIONS AND TECHNICAL SPECIFICATIONS.....</b>	<b>12</b>
3.1. Dimensions VIVO 70 WOOD .....	12
3.2. Dimensions VIVO 90 WOOD .....	13
3.3. Technical specifications .....	14
<b>4. INSTALLATION AND ASSEMBLY .....</b>	<b>15</b>
4.1. PREPARATION AND UNPACKING.....	15
4.2. SELECTION OF OPERATING MODE .....	15
4.2.1. Natural convection (COMFORT AIR VN) .....	16
4.2.2. Forced convection (COMFORT AIR VF) .....	16
4.3. EXTERNAL AND INTERNAL AIR INTAKE .....	17
4.3.1. Combustion air inlet .....	17
4.3.2. Air inlet for natural ventilation.....	17
4.3.3. Air inlet for forced ventilation .....	18
4.4. POSITIONING.....	18
4.5. ADJUSTMENT OF HEIGHT AND BALANCING .....	20
4.6. CONNECTION TO THE FLUE PIPE .....	20
4.7. INSTALLATION OF CLADDING AND HOOD LINER .....	20
4.8. INSULATING A WOODEN BEAM .....	21
4.9. INSULATION OF FIREPLACE STOVE .....	21
4.9.1. <i>Hood ventilation nozzles.</i> .....	21
<b>5. COMFORT AIR KIT– NATURAL VENTILATION AND FORCED VENTILATION .....</b>	<b>22</b>
5.1.1. Components of natural ventilation kit with and without illumination.....	22
5.1.2. Components of forced ventilation kit with and without illumination .....	22
5.2. ACCESSORIES .....	23
5.2.1. Air outlets of natural ventilation kit with and without illumination .....	23
5.2.2. Air outlets for forced ventilation kit.....	24
5.3. INSTALLATION OF THE COMFORT AIR KIT .....	25
5.3.1. Variation for air outlet with container .....	26
5.3.2. Variation for air outlet with illumination .....	26
5.3.2.1. Maintenance of air outlet with illumination .....	27
5.4. CONTROL UNIT .....	28
5.4.1. Composition of control unit .....	28
5.4.2. Positioning of the control unit .....	28
5.5. GENERAL INFORMATION ON THE CONTROL UNIT.....	29
5.5.1. On/off .....	29

5.5.2.	Operation .....	29
5.5.3.	Safety function.....	30
5.5.4.	Light on (if present) .....	30
5.5.5.	Replacing the fuse of the control unit .....	30
5.6.	INSTALLATION OF TEMPERATURE PROBE.....	31
5.7.	CONNECTIONS .....	32
5.8.	REPLACING THE FAN .....	33
<b>6.</b>	<b>OPERATION .....</b>	<b>34</b>
6.1.	PRE-LIGHTING WARNINGS.....	34
6.2.	OPERATING TEST .....	34
6.2.1.	Phases for first test lighting .....	35
6.3.	CHOICE OF FUEL .....	35
<b>HEAT POWER.....</b>	<b>.....</b>	<b>35</b>
<b>KCAL/H.....</b>	<b>.....</b>	<b>35</b>
6.4.	FIRST LIGHTING.....	36
6.5.	LOADING THE FUEL .....	37
6.6.	CONTROL OF COMBUSTION .....	38
6.7.	SMOKE VALVE ROD .....	38
6.8.	FRAME REPLACEMENT .....	39
6.9.	EMERGENCY SITUATIONS .....	39
<b>7.</b>	<b>MAINTENANCE AND CLEANING .....</b>	<b>40</b>
7.1.	CLEANING TO BE PERFORMED BY THE USER .....	40
7.1.1.	Cleaning the glass .....	40
7.1.2.	Cleaning out the ashes .....	40
7.1.3.	Cleaning the refractory material walls (ALUTEC®).....	40
7.2.	CLEANING TO BE DEALT WITH BY SPECIALIZED TECHNICIAN .....	41
7.2.1.	Cleaning flue pipe .....	41

## INTRODUCTION

Dear customer,

Thank you for choosing an MCZ product, specifically a fireplace stove of the Vivo line.

We are sure that, with use, you will appreciate the quality of an attentively designed and tested product. Our goal is to combine technology with easy use and, above all, safety.

**For best fireplace stove operations and to fully enjoy the heat and sense of well being it will spread throughout your home, we suggest you carefully read this booklet before use. Please contact your dealer for full assistance in resolving any doubts or problems.**

Congratulations on your choice and remember, the fireplace stove **MUST NEVER** be used by children who should always be kept at a safe distance!

### Revisions to the publication

In order to improve the product, the Manufacturer reserves the right to modify and update this publication without prior notice.

Reproduction, even partial, of this manual without the Manufacturer's authorisation is prohibited.



### Manual preservation

- Please take care of this manual and keep it in a place that can be quickly and easily reached.
- If this manual should be lost or destroyed, or if it is in poor condition, ask for a copy from your retailer or directly from the manufacturer, providing product identification data.

### How to read the manual

- An essential item or one that requires specific attention is published in **"bold"**.
- *"Italics"* are used for any additional clarification.
- **NOTE:** the "NOTE" provides the reader with additional information on the subject.

## These symbols signal specific messages in this booklet

	<p><b>WARNING:</b></p> <p>This warning symbol found in various points in this manual indicates that the user should carefully read and understand the message to which it refers since <b>neglect to follow these instructions could cause serious fireplace stove damage or injury to the user.</b></p>
	<p><b>INFORMATION:</b></p> <p>This symbol intends to emphasise important information for good fireplace stove operations. Failure to observe these instructions could jeopardise product use and operations may be unsatisfactory</p>

# 1. WARNINGS AND WARRANTY CONDITIONS

## 1.1. SAFETY WARNINGS

- **Installation, electrical connection, functional check and maintenance of this appliance must only be performed by qualified or authorised personnel.**
- **Install the closed fireplace in compliance with the applicable regulations in force in the place, region or country.**
- **This appliance must not be used by anyone (including children) with limited physical, sensory or mental skills or with little experience and knowledge, unless they are supervised or have been instructed to use the device by the person in charge of its safety.**
- **Only use the fuel recommended by MCZ. The appliance must not be used as an incinerator. The use of liquid fuel is strictly forbidden.**
- The instructions provided in this manual must always be observed to ensure the correct use of this closed fireplace and of any appliances connected to it as well as to avoid any accidents.
- The user (or anybody preparing to operate the closed fireplace) must read and fully understand the contents of this instruction manual before beginning any operation.
- The closed fireplace must only be used for its intended purpose. Any other use is considered incorrect and therefore dangerous.
- Assess the static conditions of the surface on which the weight of the closed fireplace will bear and provide suitable insulation if it is made of flammable material (e.g. wood, fitted carpet, plastic).
- Avoid installing the appliance in rooms containing type B gas appliances or hoods with or without an extractor fan, heat pumps, or collective ventilation ducts.
- Avoid having several operational flue ducts in the room or in the proximity of a stair well and make sure that there are no appliances in adjacent communicating rooms, the concurrent use of which causes a vacuum in one of the two rooms.
- The user is fully liable for any incorrect use of the product. MCZ bears no civil or criminal liability for incorrect use.
- Tampering of any nature or replacement of spare parts with non-original parts may endanger the operator. MCZ bears no civil or criminal liability for tampering or use of non-original parts.

- Parts of the surface of the closed fireplace can get very hot (door, handle, glass). Therefore, avoid touching these parts without wearing suitable protective clothing or using appropriate measures, such as heat protective gloves or "hands cool" type systems.
- Carefully explain this danger to elderly and disabled people and, in particular, to all children, keeping them away from the closed fireplace while it is in use.
- Incorrect installation or poor maintenance (not conforming to the instructions provided in this manual) may cause personal injury, harm to animals or damage to property. MCZ bears no civil or criminal liability for incorrect installation or poor maintenance.

## 1.2. OPERATIONAL WARNINGS

- Turn off the closed fireplace in the event of a failure or malfunctioning.
- Keep flammable material at least 150 cm away from the glass of the fireplace.
- If there is poor draught in the flue pipe (due to bad weather, poor installation conditions) light the flame strongly, keeping the door slightly open. When the door is closed always keep the damper completely open. Use dry wood in small pieces. If you continue to experience problems with the combustion call a qualified technician.
- Install the closed fireplace in rooms which are suitably protected against fire hazards and equipped with all utilities, including power supplies (air, water and electricity) and smoke outlets.
- Do not light the fire with flammable substances.

### INFORMATION:

- In case of any problems please contact your retailer or MCZ's qualified, authorised personnel. If repairs are necessary, request original spare parts.
- Check and clean the smoke outlet pipe regularly in accordance with the provisions of the applicable regulations in the country of installation
- Keep this instruction manual in a safe place as it should accompany the closed fireplace along its entire life cycle. If the closed fireplace is sold or transferred to another user always ensure that the manual accompanies the product.
- If this manual is destroyed request a copy from your authorised retailer or from MCZ.

### 1.3. WARRANTY CONDITIONS

MCZ guarantees the product, **except for the elements subject to normal wear** listed below, for two years from the date of purchase proven by a document that indicates the dealer's name and date of sale, if the completed warranty certificate was returned within 8 days and if the product was installed and inspected by a specialised installation technician and according to the detailed instructions indicated in the instruction manual supplied with the product.

The warranty includes the free replacement or repair of **parts recognised as factory defective**.

#### 1.3.1. Restrictions

The above guarantee does not cover components relating to electrical parts, on which the guarantee period is 1 year from the purchase of the product, documented as specified above. The warranty does not cover parts subject to normal wear such as: **gaskets, glass, and all removable fire box parts**.

Replaced parts will be guaranteed for the remaining warranty period from the date of product purchase.



**Specifically, glass is guaranteed from the moment the MCZ installation technician certifies its integrity when installation is completed.**

#### 1.3.2. Exclusions

**The warranty does not cover any part that may be defective due to negligence or careless use, incorrect maintenance, installation non compliant with that specified by MCZ (see relevant chapters in this manual).**

MCZ refuses to accept any responsibility for any damage which may be caused, directly or indirectly, by persons, animals or things as a result of the failure to observe all the provisions set forth in the instruction booklet, especially those concerning warnings on the subject of installation, use and maintenance of the appliance.

In the event of product inefficiency, please contact your dealer and/or area importer.

Damages caused by transport and handling are not covered by the warranty.

Exclusively refer to the supplied manual for product installation and use.

The warranty is null and void in the event of damage due to tampering, weather, natural calamities, lightning, fire, defective electrical and hydraulic systems and the lack or incorrect maintenance as per the manufacturer's instructions.



#### SERVICE REQUESTS

**Service requests must be addressed to the dealer who shall forward the request to MCZ technical assistance.**



**MCZ is not liable in the event the product and any other accessory is improperly used or modified without authorisation.**

Only original MCZ spare parts must be used for all replacements.

### 1.4. IMPORTANT INFORMATION FOR CORRECT DISPOSAL OF THE PRODUCT IN ACCORDANCE WITH EC DIRECTIVE 2002/96/EC.

At the end of its working life, the product must not be disposed of as urban waste.

It must be taken to a special local authority differentiated waste collection centre or to a dealer providing this service.

Disposing of a appliance separately avoids possible negative consequences for the environment and health deriving from inappropriate disposal and enables the constituent materials to be recovered to obtain significant savings in energy and resources.

As a reminder of the need to dispose of appliances separately, the product is marked with a crossed-out wheeled dustbin.

## **2. INSTALLATION IN ACCORDANCE WITH UNI 10683**

### **2.1. OPERATING AREA**

For the correct functioning and an even distribution of heat, the closed fireplace should be positioned where the air required for combustion can flow in (at least 60 m<sup>3</sup>/h must be available) in accordance with the installation instructions and the applicable standards in force in the country of installation.

**The volume of the room should be no less than 60 m<sup>3</sup>.**

Air should enter through permanent apertures made in the walls (near the closed fireplace) that lead to the outside. These should have a minimum cross-section of 360 cm<sup>2</sup>.

These apertures (air inlets) must be made so as not to be obstructed in any way.

Air may also be taken from rooms adjoining the one to be ventilated, provided they are equipped with an external air inlet and are not used as bedrooms or bathrooms. These must not be rooms that present a fire hazard, for example: garages, timber storerooms or warehouses for flammable materials. The provisions of all the applicable standards in force must be observed in all circumstances.



- **Installation of the closed fireplace is not permitted in bedrooms, bathrooms, shower rooms or in any room in which another heating appliance is installed without an independent air inflow (fireplace, stove etc.).**
- **It is forbidden to position the closed fireplace in rooms with an explosive atmosphere.**
- **The floor of the room in which the closed fireplace is installed must be suitably sized to withstand the weight of the fireplace.**
- **If the floor is wooden lay the floor guard down in compliance with the applicable standards in force in the country of installation.**
- **If the walls are not flammable position the closed fireplace with a minimum distance of 5 cm at the back.**

### **2.2. PRECAUTIONS**

The fireplace stove must be installed in a suitable surface that permits routine opening and maintenance operations.

The room must be:

- suitable for room operating conditions
- equipped with an adequate smoke exhaust system
- equipped with outdoor ventilation



**IMPORTANT!**

- The fireplace stove must be installed and assembled by qualified personnel.
- The fireplace stove must be connected to a flue pipe or other vertical smoke stack that can discharge smoke at the highest point of the house.
- The closed fireplace must be connected to a flue pipe or internal or external vertical duct, in accordance with the applicable standards in force.
- Smoke is generated from burning wood and, therefore, may dirty adjacent or nearby walls.
- Before positioning the fireplace stove, you must make a hole for the intake of external air.

**2.3. CONNECTION TO THE EXTERNAL AIR INTAKE**

The room where the stove is installed must have at least as much air as requested by normal combustion of the equipment and by room ventilation. This may take place through permanent apertures in the room walls that lead directly outdoors or ventilated rooms according to UNI 10683 REV.

For this purpose, drill a hole with minimum 360 cm<sup>2</sup> free section near the fireplace stove (22 cm diameter or a 20x18cm rectangle), protected by an indoor and outdoor grille.

The air intake must also:

- directly communicate with the installation room
- be protected by a grill, made of metallic anti-insect mesh or a suitable protection as long as it does not reduce the minimum section.
- be installed so as to avoid obstruction
- for ducts, up to 3.5 linear metres, increase the section by about 5% while increased by 15% for larger measurements.

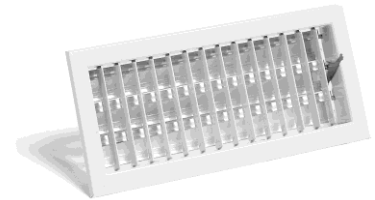


Remember that the ventilation grills always have a cm<sup>2</sup> useful section on one side. When selecting the grill and hole dimension, make sure the useful grill section is greater than or equal to the section required by MCZ for product operations.



**IMPORTANT!**

**Air flow may also be obtained from a room adjacent to the installation room as long as this flow is free through permanent apertures that directly communicate with the outdoors; avoid air outlets connecting with heating units, garages, kitchens or bathrooms.**





## 2.4. CONNECTION TO THE FLUE PIPE

The connection to the flue pipe is a very important element. The connection must be made with a great deal of care; in the event of erroneous or anomalous construction, it is extremely difficult to remedy without damaging the hood liner. In addition, the connection is made in a part of the stove where temperatures are very high, and for this reason it is important to use materials that are capable of resisting heat and also the acidity of the fumes produced by combustion.

Before beginning work, please note the following:

- The connecting pipe must have a maximum slope of 45 degrees. This is to avoid excessive deposit of condensation produced in the initial phases of lighting the fireplace stove, and/or the excessive accumulation of creosote. It also keeps the release of smoke from being slowed down.
- **The unions must be made of metal and suitable for the specific operating conditions of the product and marked EC (EN1856-2). The use of flexible and extending metal pipes is not permitted.**
- The components making up the connecting pipe must be perfectly sealed.
- The joint to the flue pipe must not be too long (to avoid obstructions), nor too short (to avoid smoke leakage).



**If metal connecting pipes are used, they must be insulated with suitable material such as ceramic fibre matting, to avoid deterioration of the masonry and of the decorative hood liner.**



**IMPORTANT!**

**Any increase in the section of the connecting pipe must start immediately above the hood of the fireplace and not along the flue pipe section.**

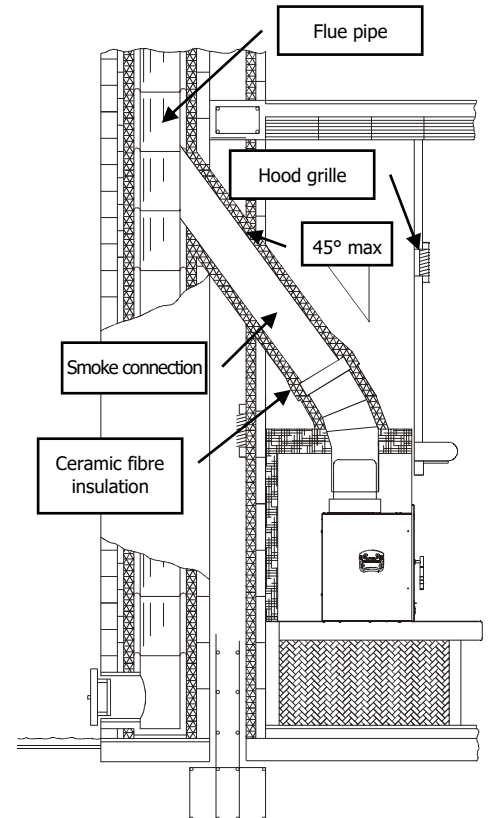
## 2.5. FLUE PIPE

The flue pipe is a **fundamental element** in discharging smoke and therefore must have the following requisites:

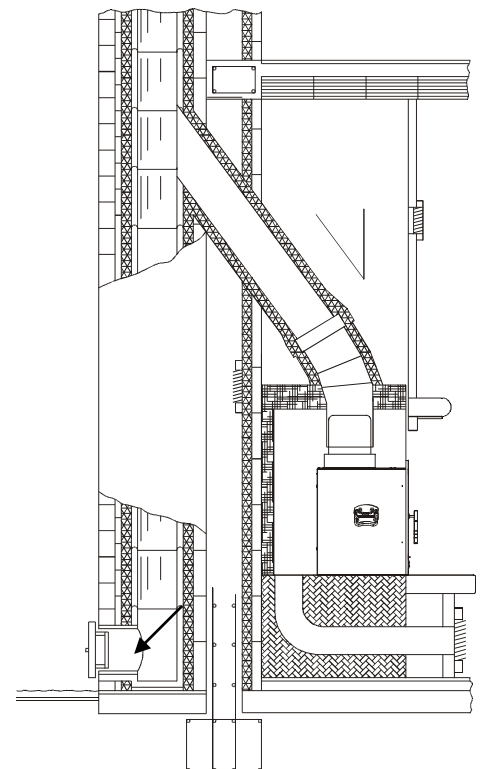
- be waterproof and thermally insulated.
- be made of suitable heat-proof materials that are resistant to the effects of combustion products and any possible condensation.
- have a vertical arrangement with deviations from the axis of no more than 45° and without kinks.
- must be suitable for the specific operating conditions of the product and marked EC (EN1856-1, EN1443).
- must be suitably sized to accommodate the draught/smoke disposal requirements necessary for the correct functioning of the product (EN13384-1).
- have an internal section which is preferably circular.
- be cleaned if pre-existing and has operated beforehand.



**The flue pipe is of primary importance for the correct functioning and safety of your fireplace stove.**

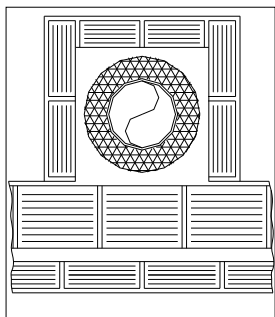


Example of fireplace stove connection



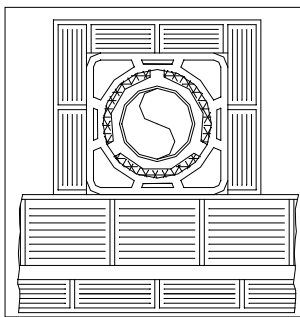
Typical diagram of a correctly laid flue pipe with a chamber including a sealed hatch to collect and remove solid materials produced during combustion positioned at the foot of the external rising section.

### 2.5.1. Examples of flue pipes



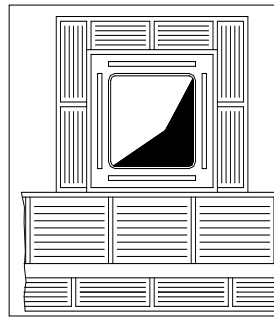
AISI 316 stainless steel flue pipe with dual chamber insulated with ceramic wool or equivalent resistant to 400°C.

**EXCELLENT**



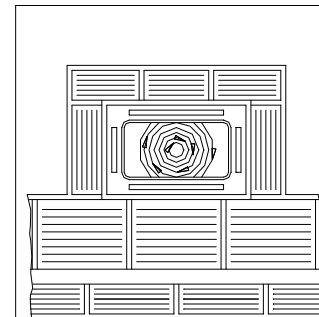
Flue pipe in refractory brick with insulated double wall and external coat of cement mix lightened with honeycomb material such as clay.

**GOOD**



Traditional square section clay flue pipe with insulating hollow inserts.

**GOOD**



Avoid flue pipes with internal rectangular sections whose larger side is double the smaller such as 20x40 or 15x30.

**AVERAGE**

Square or rectangular section flue pipes must have rounded internal corners with radius not less than 20mm. For the rectangular section, the ratio between internal dimensions must be  $\leq 1.5$ .

The sections/lengths of the flue pipe shown in the technical data table are guidelines for correct installation. Any alternative configurations must be suitably sized in accordance with EN13384-1.

The smoke duct should be equipped with a solid material collection chamber at the mouth of the smoke duct to be easily opened with an airtight door.



#### **IMPORTANT !**

In the event of doubt on your chimney flue operations or that its dimensions are different from those recommended, we highly suggest an authorised MCZ technician inspect and measure chimney flue performance (micro-gauge measurements)

MCZ s.p.a. shall not be held liable for poor operation of the fireplace stove that is due to a flue pipe of improper size or installation that does not comply with provided requirements.

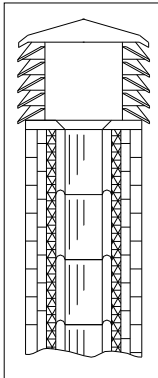
## 2.6. COWL

If underestimated, it is a severe impediment to correct "chimney system" operations.

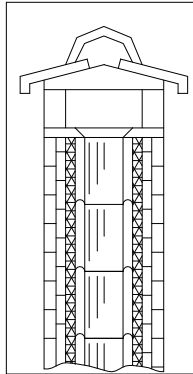
**Flue pipe draught also depends on its cowl.**

Therefore, if hand made, its four exhaust sections must correspond to **more than twice the internal section of the flue pipe.**

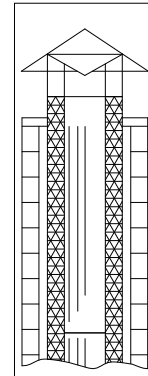
**Having to exceed the peak of the roof, the cowl will be exposed to wind, therefore an industrial type is recommended.**



An industrial cowl, with prefabricated sections fitting together, allows optimal disposal of the flue gases.



A traditional handmade cowl. The right exhaust section must be at least twice the internal section of the flue pipe, 2.5 times is ideal.



Steel cowl for flue pipe with internal smoke deflector cone.

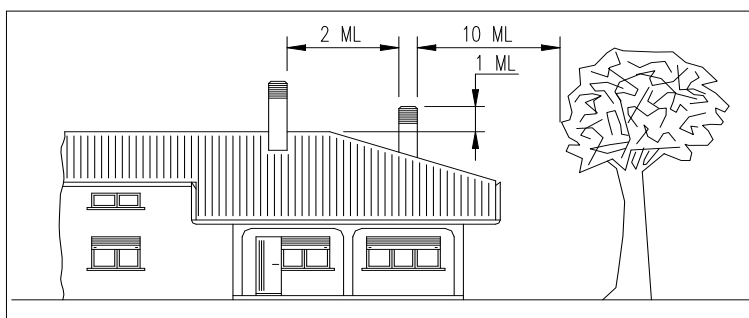
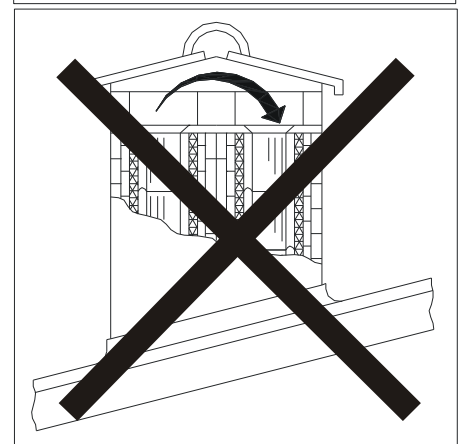
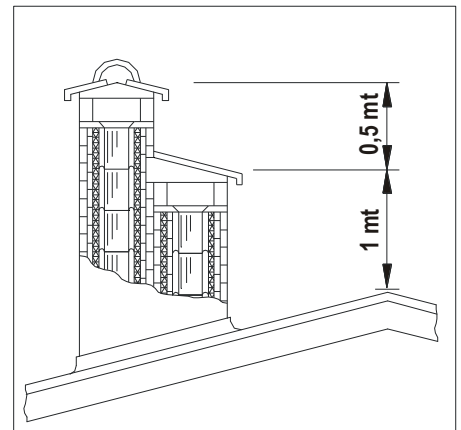
The cowl must meet the following requisites:

- It must have an internal section equal to that of the chimney.
- It must have a useful output section not less than double that of the internal section of the flue pipe.
- It must be built to prevent rain, snow and any foreign objects from getting into the flue pipe.
- They must be installed to guarantee adequate smoke dispersion and out of the reflux area where negative pressure forms.



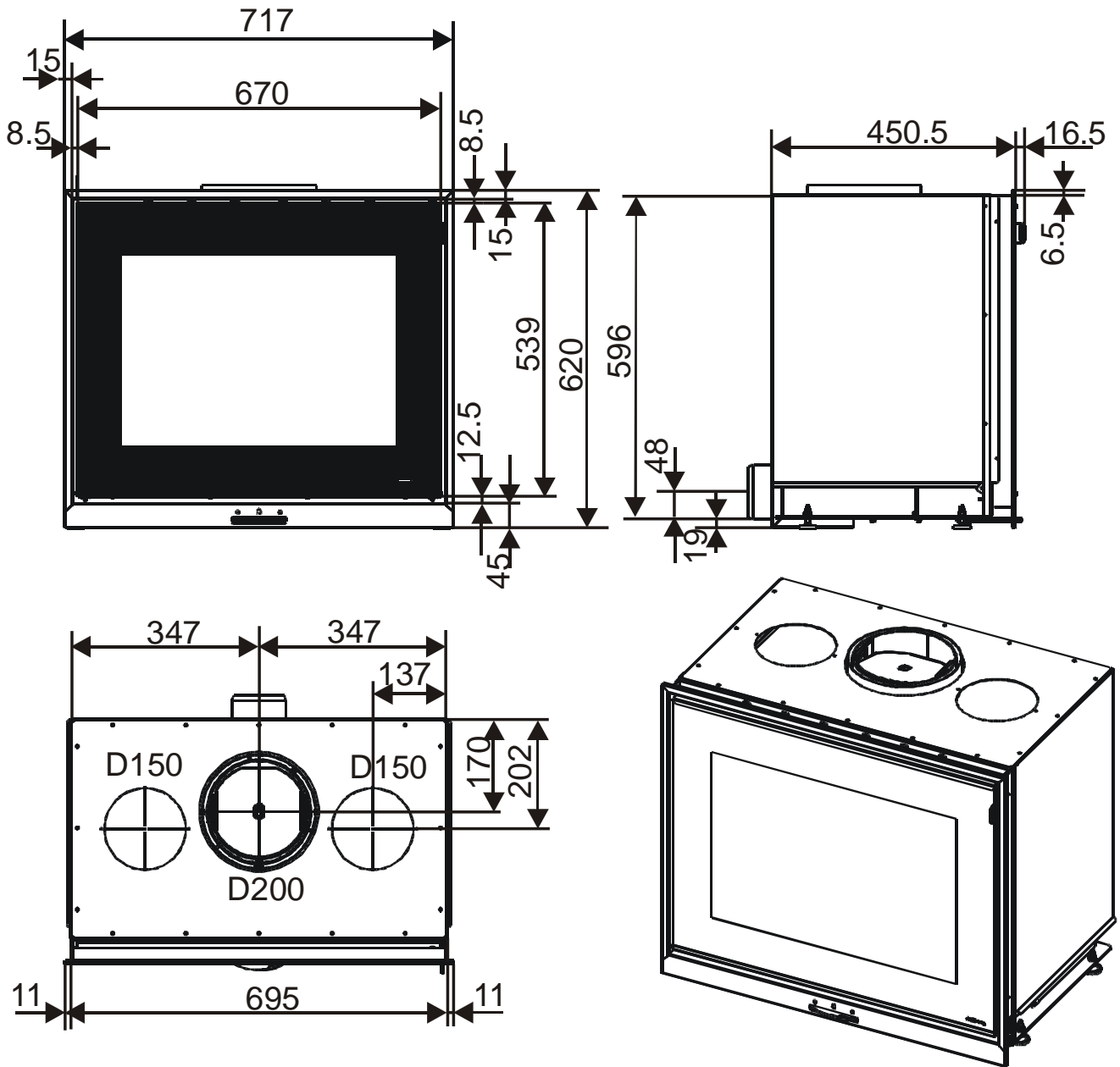
**For paired flue pipes, the cowl for solid combustion and the one for the upper floor must be at least 50cm higher than the other to avoid pressure transfers between paired flues.**

**The cowl must not have obstacles within 10 m such as walls, roof slopes and trees. Otherwise, raise it at least 1 m over the obstacle and, in the event of other nearby cowls, keep them at least 2 m away. In any case, the cowl must exceed the peak of the roof by at least 1m.**

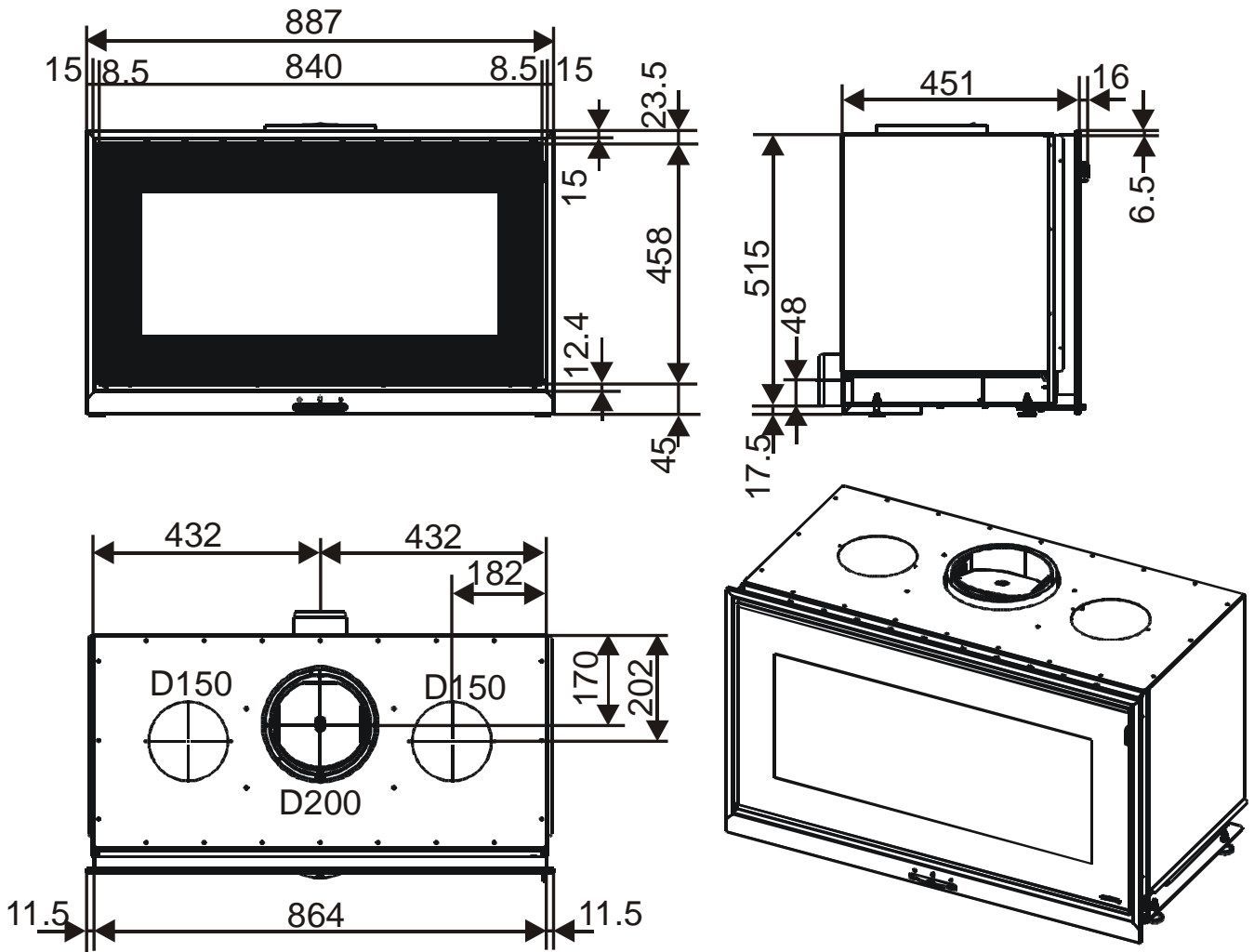


### 3. DIMENSIONS AND TECHNICAL SPECIFICATIONS

#### 3.1. Dimensions VIVO 70 WOOD



3.2. Dimensions VIVO 90 WOOD



### 3.3. Technical specifications

<b>Technical specifications</b>	<b>VIVO 70 WOOD- VIVO 90 WOOD</b>
Fuel type	Wood
Hourly consumption	3,1 kg/h - 1,6 kg/h
Reloading/load time	47 min. / 2,4 kg
Nominal output power:	11 kW (9460 Kcal/h)
Minimum power output:	5,7 kW (4902 Kcal/h)
Efficiency	84,0%
CO emission in fumes (13% O <sub>2</sub> )	0,08%
Particulate/OGC/Nox (13% O <sub>2</sub> )	25 mg/Nm <sup>3</sup> - 67 mg/Nm <sup>3</sup> - 113 mg/Nm <sup>3</sup>
Smoke mass flow rate	8,0 g/s
Smoke temperature	227 °C
Recommended draught	12 Pa / 0,12 mbar
Heatable volume m <sup>3</sup> *	237/40-270/35- 315/30*
Recommended draught	12 Pa / 0,12 mbar
Smoke outlet	Ø 20 cm
Fire box dimensions (H/P/L)	VIVO 70 WOOD H=280 mm P=310 mm L=550 mm VIVO 90 WOOD H=200 mm P=310 mm L=720 mm
Net weight	VIVO 70 WOOD 125 kg VIVO 90 WOOD 135 kg
External combustion air outlet	cm <sup>2</sup> 150
Distance from flammable material (back)	180 mm
Distance from flammable material (side)	180 mm
Distance from flammable material (underneath)	200 mm
<b>Flue pipe</b>	
Up to 5 m	25x25 cm Ø25
Between 5 and 7 m.	22x22 cm Ø22
Over 7 m	20x20 cm Ø20
<b>Note</b>	
Intermittent combustion unit	
* Volume that can be heated, according to the power requirement per m <sup>3</sup> (respectively 40-35-30 Kcal/h per m <sup>3</sup> )	

**Tested according to EN 13229 in compliance with Directive 305/2011 (Construction Products)**

## 4. INSTALLATION AND ASSEMBLY



### IMPORTANT!

The fireplace stove must be installed and connected to the smoke duct only by a specialized technician, so that all local and national regulations are complied with.

Installation must in any case be carried out in compliance with UNI 10683.

When the fireplace is unpacked, **check for perfect operation of all its parts or any damage which may have occurred during shipping. The retailer or the carrier must be immediately informed of any damage.**

If the fireplace stove is installed in a place that is difficult to reach, its weight can be reduced by removing the internal parts that make up the fire box. However, **be sure to put all of the parts back in place. This operation is to be carried out only by specialized personnel.**

**MCZ shall not be held liable if the preceding warning is not complied with.**

### 4.1. PREPARATION AND UNPACKING

Open the packaging, remove the stove unit from the pallet and position it in the chosen location, taking care that its position complies with the above instructions.



**The fireplace stove must always be kept VERTICAL while moving and only using hand trucks. Do not drag the unit as this may damage the support feet.**

Be especially careful that the door and its glass are protected from mechanical collisions that could jeopardise their integrity.

Moving the product must be done with care. If possible, unpack the fireplace stove in the area where it is to be installed.

The materials which make up the packaging are not toxic or harmful, so no special procedures for disposal are required.

The final user must store, dispose or recycle packaging material in accordance with local regulations.

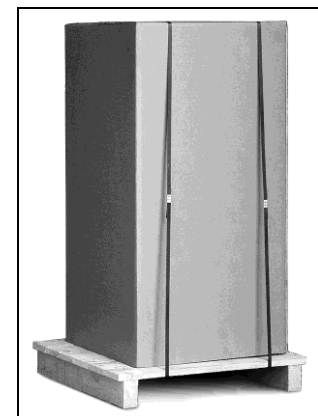
### 4.2. SELECTION OF OPERATING MODE



### IMPORTANT!

**With either NATURAL CONVECTION or with FORCED VENTILATION it is necessary to provide connection to the external air intake.**

VIVO can distribute hot air either by **NATURAL CONVECTION (COMFORT AIR VN)** or by **FORCED CONVECTION (COMFORT AIR VF)** through the use a forced ventilation kit.



Example of fireplace stove packing

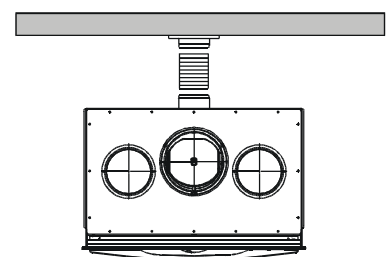


Figure 1 – Plan: combustion air inlet

### 4.2.1. Natural convection (COMFORT AIR VN)

If this system is used, the installer must make a connection to the outside (**B**) concerning the inlet of combustion air (fig.2), and an air intake (**A**) for the inlet of fresh ventilation air inside the cladding.

For the ducting of hot air C, it is necessary to install the hoses  $\varnothing$  150 mm C (optional) on the flanges located on the upper part of the stove unit



**ATTENTION!**

**FOR BEST OPERATION, MCZ STRONGLY SUGGESTS CONNECTION THE COMBUSTION AIR INTAKE  $\varnothing$ 100 DIRECTLY TO AN EXTERNAL AIR INTAKE.**

### 4.2.2. Forced convection (COMFORT AIR VF)

Also in this case, it is necessary to connect the stove unit to an external air intake (**B**) with a pipe  $\varnothing$  100 (optional) using the flange located on the back of the stove unit. (figure 1) If it is not possible to connect directly to the air intake, at least connect the flange to the outside of the cladding.

**This operation is necessary to ensure proper operation of the COMFORT AIR KIT.** If the combustion air intake is not connected directly to the an external air intake (**B**), it will be obligatory to provide an air intake (**A**) that has a free passage of not less than 150 cm<sup>2</sup> so that natural fresh air flows into the room of installation (preferably inside the cladding).Figure 3

For the ducting of hot air, it is necessary to install a reduction flange  $\varnothing$  100 on the upper connections of the stove unit. Then insert in the flanges of the hoses  $\varnothing$  100 the COMFORT AIR outlets (**C**).

Then proceed as set forth in *paragraph 5.3 "Installation of comfort air kit"*.



**ATTENTION!**

**FOR BEST OPERATION, MCZ STRONGLY SUGGESTS CONNECTING THE COMBUSTION AIR INTAKE  $\varnothing$ 100 DIRECTLY TO AN EXTERNAL AIR INTAKE OR AT LEAST TO HAVE AIR DRAWN FROM OUTSIDE THE CLADDING.**

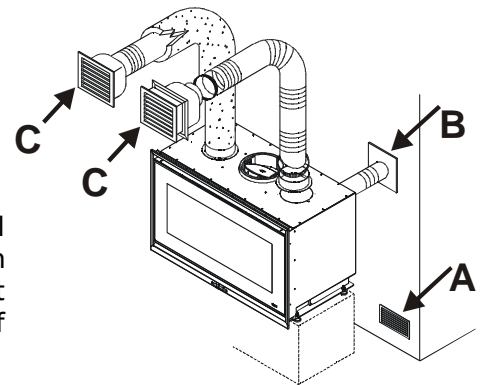


Figure 2 – Natural convection

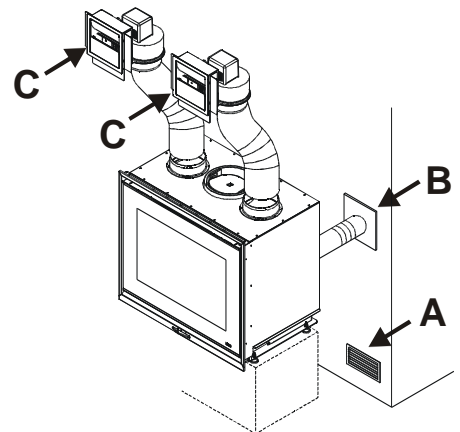


Figure 3 – Forced convection



### 4.3. EXTERNAL AND INTERNAL AIR INTAKE

#### 4.3.1. Combustion air inlet

The VIVO fireplace stove has a rear hole Ø 100 with a flange for entry of air that is indispensable for -combustion and proper operation.

This flange must be connected to the external air intake using appropriate pipes (optional). The flange for ducting of the combustion air intake normally faces the rear of the stove unit (as in the figure alongside). However, it is possible to change its position and facing.

It is possible to remove the combustion air duct with flange Ø 100 and to re-install it so that the flange faces downwards. This option is provided to favour connection if the air flow or the ducts come from under the fireplace stove.

To perform this operation (figure 4):

1. remove the frame by loosening the two screws (A) on the right and the two on the left
2. loosen the 16 screws (B) at the upper part of the stove unit and remove the cover
3. loosen the 6 screws (C) on the right and left sides and the screw (D) on the back and remove the entire cladding
4. loosen the 6 screws (E) of the duct with the flange (F) Ø 100
5. turn the duct (F) so that the flange Ø 100 faces downwards
6. Perform the steps in points 1-2-3-4 in reverse order

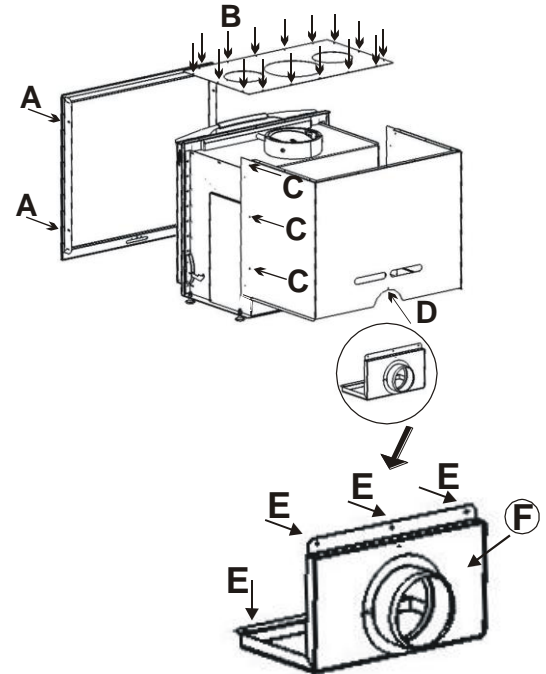


Figure 4 – Removal of the combustion air duct

**In the absence of this direct connection (B), it is obligatory to install in the room (preferably in the cladding) an external air intake A with a free passage surface of not less than 150 cm<sup>2</sup>.**



**FOR BEST OPERATION, MCZ STRONGLY SUGGESTS CONNECTING THE COMBUSTION AIR INTAKE Ø 100 TO AN EXTERNAL AIR INTAKE OF AT LEAST TO DRAW AIR FROM OUTSIDE THE CLADDING.**

#### 4.3.2. Air inlet for natural ventilation

If the fireplace stove is installed with natural ventilation, you must provide an external air intake B (150 cm<sup>2</sup>) that allows natural fresh air to flow inside of the cladding. This air intake A (150 cm<sup>2</sup>) must be made in the room where the stove unit is installed (figure 5).



**It is indispensable to comply carefully with this instruction, otherwise the lack of oxygen may compromise the safety of the installation.**

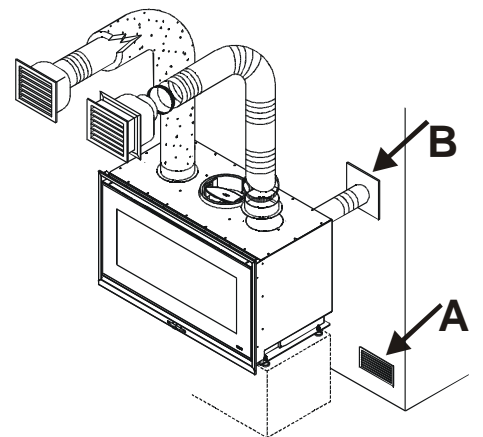


Figure 5 – Intake for external combustion air and for natural ventilation

### 4.3.3. Air inlet for forced ventilation

If the fireplace stove is installed with forced ventilation, i.e. using the COMFORT AIR kit, place air intakes and ducts as follows:

an external air intake (**150 cm<sup>2</sup>**) must be provided that allows natural fresh air to flow into the cladding. This air intake **A** can also be located in the room where the stove unit is installed.

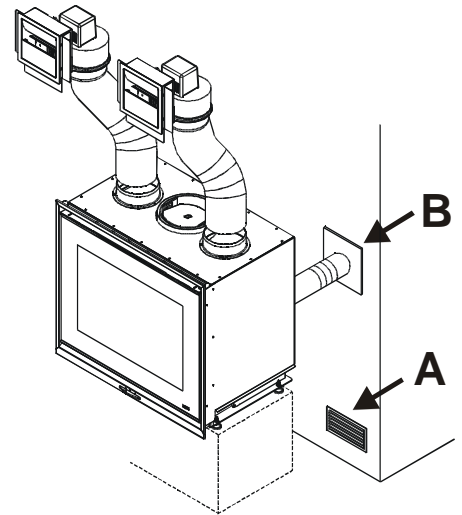
This mode allows a proper mix of the air in the room of installation and better cooling of the structure of the fireplace stove. (Figure 6)



**ALWAYS CONNECT THE TWO DUCTS AND RUN THEM OUTSIDE. IF YOU DO NOT COMPLY WITH THIS RULE, THE FAN MAY DRAW IN THE AIR INTENDED FOR COMBUSTION**

**Remember that:**

- All of the air intakes must be equipped with shutters that can be controlled from the outside and that are equipped with insect protection.
- The air intake section is considered net, therefore the area of any obstructions must be considered (mesh, etc.)
- The filters or meshes need to be cleaned periodically to ensure air can pass through them.
- **Do not for any reason obstruct the air intakes if the fireplace stove or ventilation kit is in operation**



**Figure 6** – Air intakes for ducts of fan and combustion air intake.

### 4.4. POSITIONING

The VIVO fireplace stove can be placed in a corner or along a wall. It can be installed at the desired height, providing a suitable support during work.

**Always evaluate the structural condition of the surface which will take the weight, and always leave a minimum 5 cm airspace between the stove and any walls.**

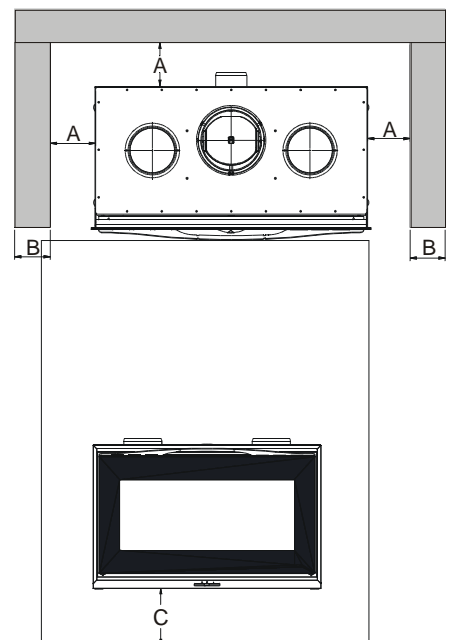
Install dry the fire bed of the cladding **leaving an opening of 1 cm** for the insulation.

**For installation near flammable material, comply with the following minimum safe distances: (Figure 7)**

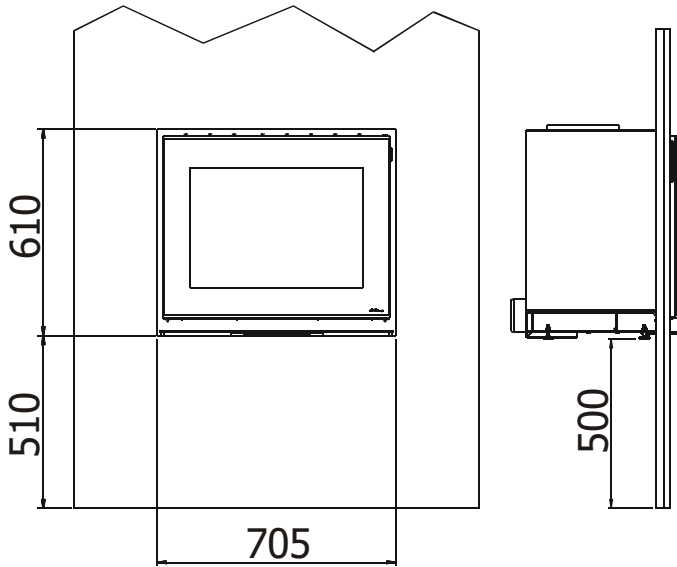
- **A = 100 mm (distance from the sides and back)**
- **B = 80 mm (insulating material)**
- **C = 200 mm (height above floor)**



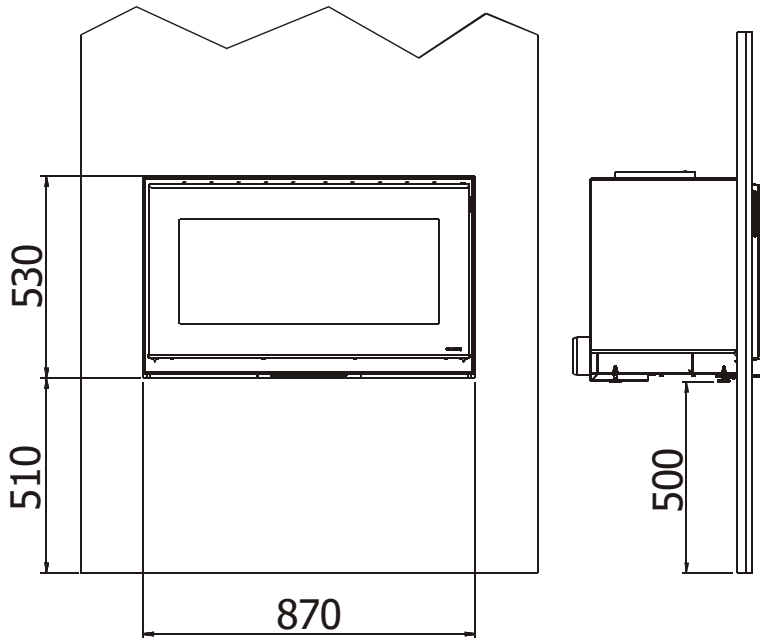
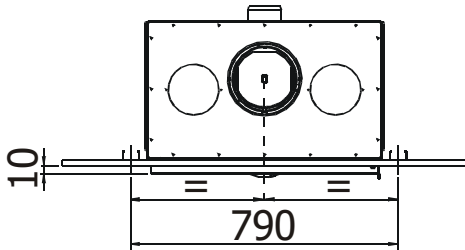
**If the stove is positioned over a floor or close to walls made of flammable materials, it is advisable to use sufficient insulation.**



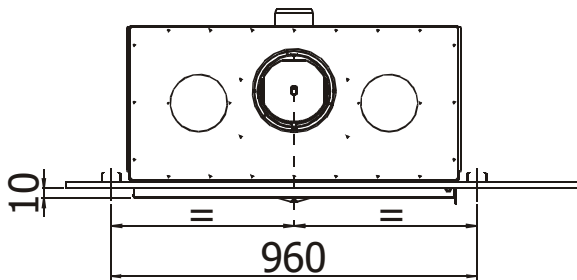
**Figure 7** – Installation near flammable material



**Vivo 70 Wood wall hole size**



**Vivo 90 Wood wall hole size**



#### 4.5. ADJUSTMENT OF HEIGHT AND BALANCING

The VIVO fireplace stove is equipped with adjustment feet that are screwed into the stove unit, and have the purpose of levelling the fire bed of the fireplace stove. They are therefore provided with a minimum adjustment. (figure 8).

To adjust the feet you must slightly raise the stove unit, grasp with the fingers the threaded part of the screw, and loosen or tighten to allow levelling (the adjustment is about 1 cm).

**Do not eliminate the feet. They are indispensable for levelling. Removing the feet is considered a structural modification of the product and therefore voids the guarantee.**

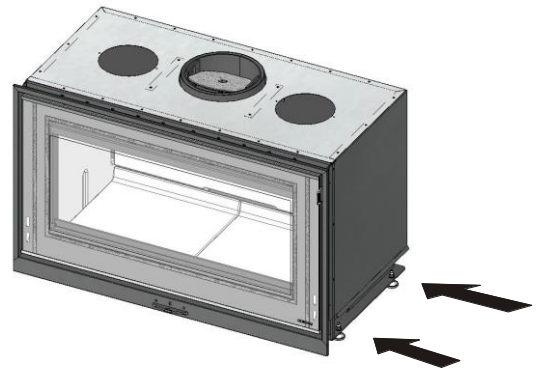


Figure 8 – Level adjustment feet



**If the floor is made of flammable material, the lower part of the fireplace stove must be kept at least 200 mm from the floor.**

#### 4.6. CONNECTION TO THE FLUE PIPE

We recommend connecting the stove to the flue pipe by means of pipes and bends in aluminised steel, capable of withstanding the high temperatures which are reached in that section of pipe, and of resisting corrosion from the fumes. These connecting pipes are available on request in various sizes (see our price list), and they simplify installation, as they are assembled by fitting one into another. Figure 9



**Any increase in the section of the connecting pipe must start immediately above the hood of the fireplace and not along the flue pipe section**

**When installation is complete, the smoke connection must be insulated with ceramic fibre matting or material that is resistant up to at least 600°C.**

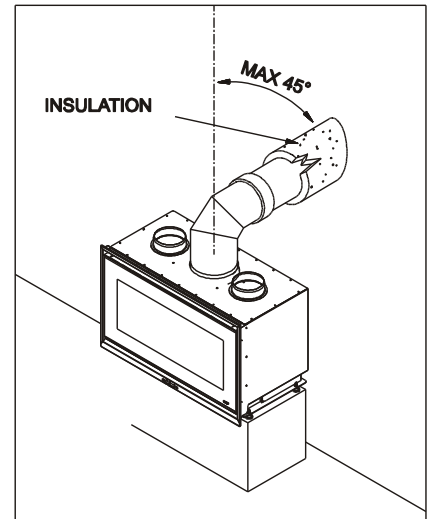


Figure 9 – Connection to the flue pipe

#### 4.7. INSTALLATION OF CLADDING AND HOOD LINER

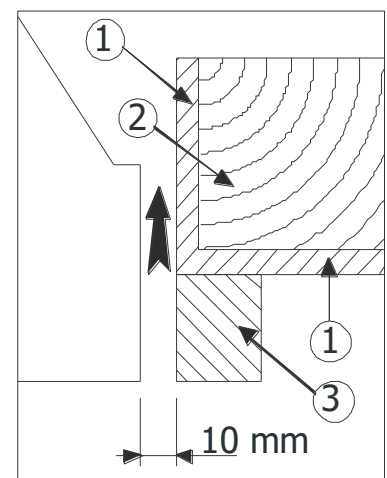


**BEFORE YOU START INSTALLING THE CLADDING OF THE FIREPLACE STOVE, READ CHAPTER 5.2 "OPERATING TEST"**

The fireplace stove and the parts of the cladding must be attached to one another **WITHOUT COMING INTO CONTACT WITH THE STEEL STRUCTURE** to prevent transmission of the heat to the marble and/or stone, and to allow normal thermal dilation. Use care with wood finishes such as beams or shelves, which must be suitably insulated. (Figure 12)

In particular, shelves must be placed at a distance of not less than 30 cm from the upper part of the unit.

**We recommend making the hood liner in fire-resistant plasterboard of 15/20 mm thickness, with a self-supporting frame in galvanised profile, so as not to put weight on components of the cladding (such as wooden beams and marble architraves) which do not have a load-bearing structure and to make it easy to work in the event of future anomalies and/or maintenance.**



**THERMAL PROTECTION OF CROSSBEAM**

1. Insulation applied or to be applied.
2. Wood beam
3. Marble or other material

Figure 10 – Insulating a wooden beam

Dry install the fire bed of the **cladding**, leaving an aperture of **1 cm** between the fireplace stove and the fire bed to provide insulation.

#### 4.8. INSULATING A WOODEN BEAM

The wood beam must be protected with adequate insulation from heated parts to prevent the risk of fire or damage of the cladding. (figure 10)

#### 4.9. INSULATION OF FIREPLACE STOVE

The fireplace stove must also always be separated from nearby walls and ceilings.

If necessary, use **insulating materials** to insulate the walls that are in contact with the unit if they may be damaged or catch fire (walls made of wood, plasterboard, etc.). (figure 11)

Measurements for insulation are shown in chap 4.4

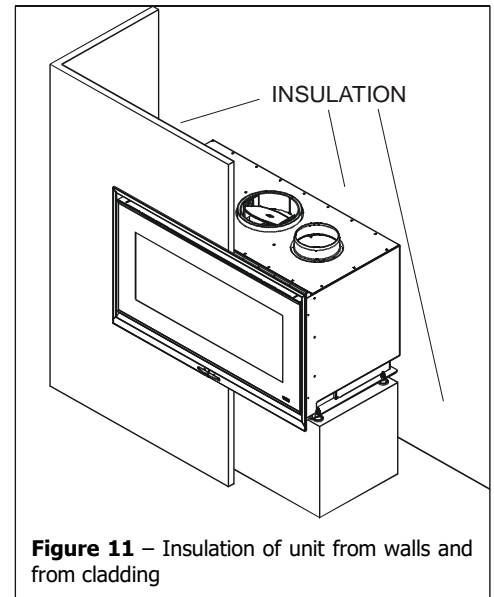


Figure 11 – Insulation of unit from walls and from cladding

##### 4.9.1. Hood ventilation nozzles.



You **must** install MCZ ventilation nozzles, or nozzles that ensure the same operation and the same air passage cross section (see MCZ accessories).

**MCZ non risponde di eventuali danni alla struttura o alla componentistica elettrica causati dalla mancata osservanza di questa avvertenza.**

**For proper operation of room ventilation remember that:**

- In the lower part of the cladding, an opening for the entry of convective air must be provided that is not smaller than 400 cm<sup>2</sup>
- In the upper part it is necessary to provide a vent opening (in addition to the ducted air outlets) of at least 230 cm<sup>2</sup> to release into the room the residual heat that accumulates inside the cladding. With the COMFORT AIR kit, however, this outlet is not necessary, because the heat in the cladding is indirectly drawn in by the fans.

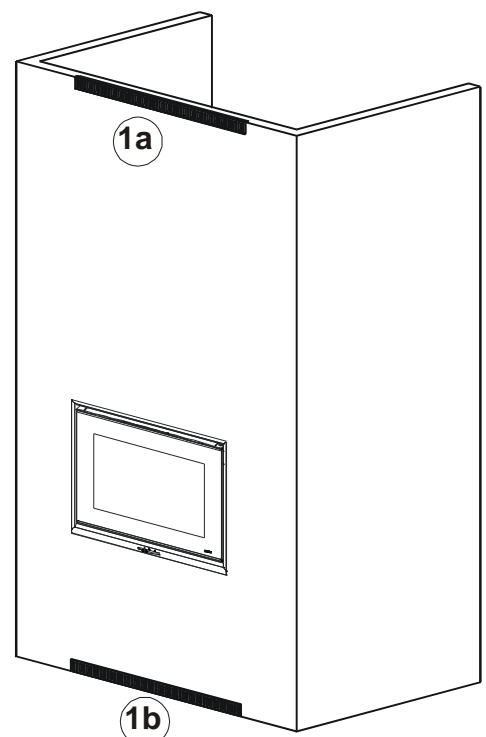
Besides ensuring perfect product operation, this action makes it possible to recover part of the heat from the structure, which would be wasted if it were left inside the cladding.

For better understanding of the number, size and function of the ventilation nozzles to be installed on the cladding, the following are some possible installation configurations with the relative nozzles.

**1a)** Grille for convection air outlet

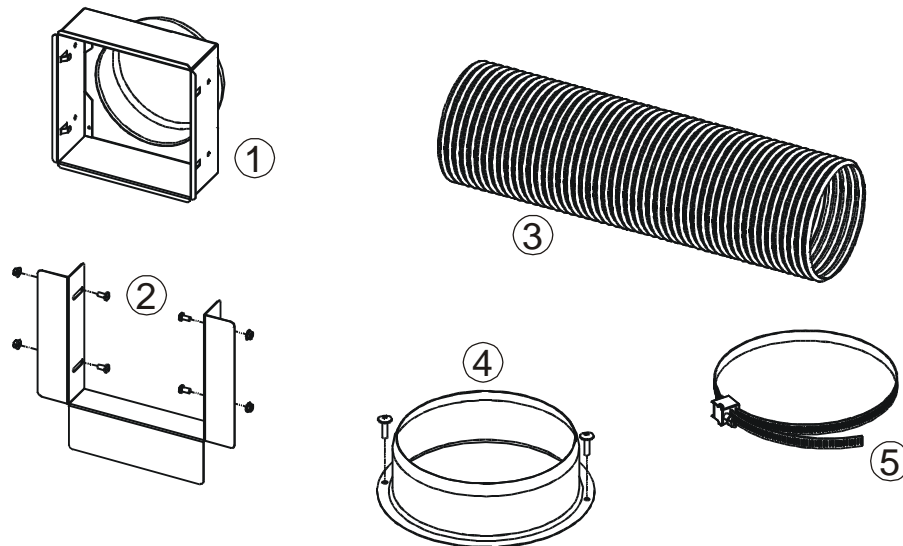
**1b)** Grille for intake of convection air

Grilles **1a** and **1b** are essential for releasing the heat that builds up in the hood. They **must** be installed, regardless of the type of installation or cladding to be realized.



## 5. COMFORT AIR KIT- NATURAL VENTILATION AND FORCED VENTILATION

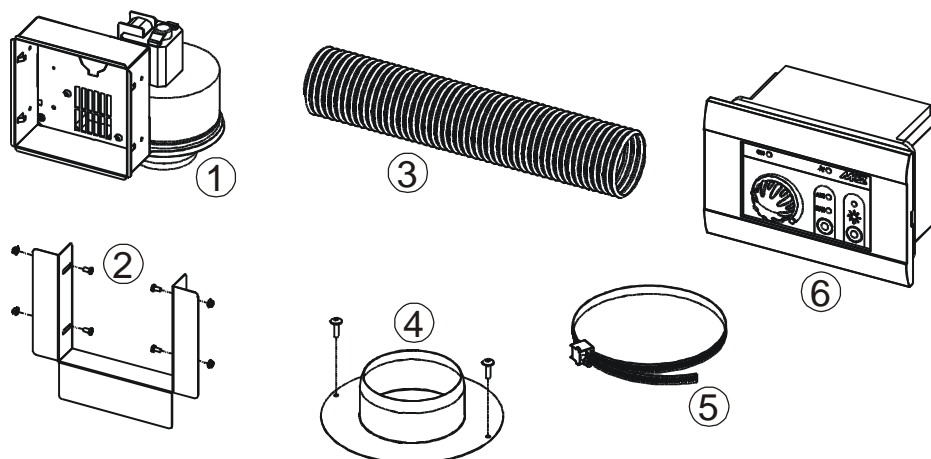
### 5.1.1. Components of natural ventilation kit with and without illumination



1. Structure of basic natural ventilation outlet (2 pieces)
2. Fastening bracket group (2 pieces)

3. Hose  $\varnothing$  150 L=1.5 m (2 pieces)
4. Flange  $\varnothing$  150 (2 pieces)
5. Hose clamp D.60-170 (4 pcs.)

### 5.1.2. Components of forced ventilation kit with and without illumination

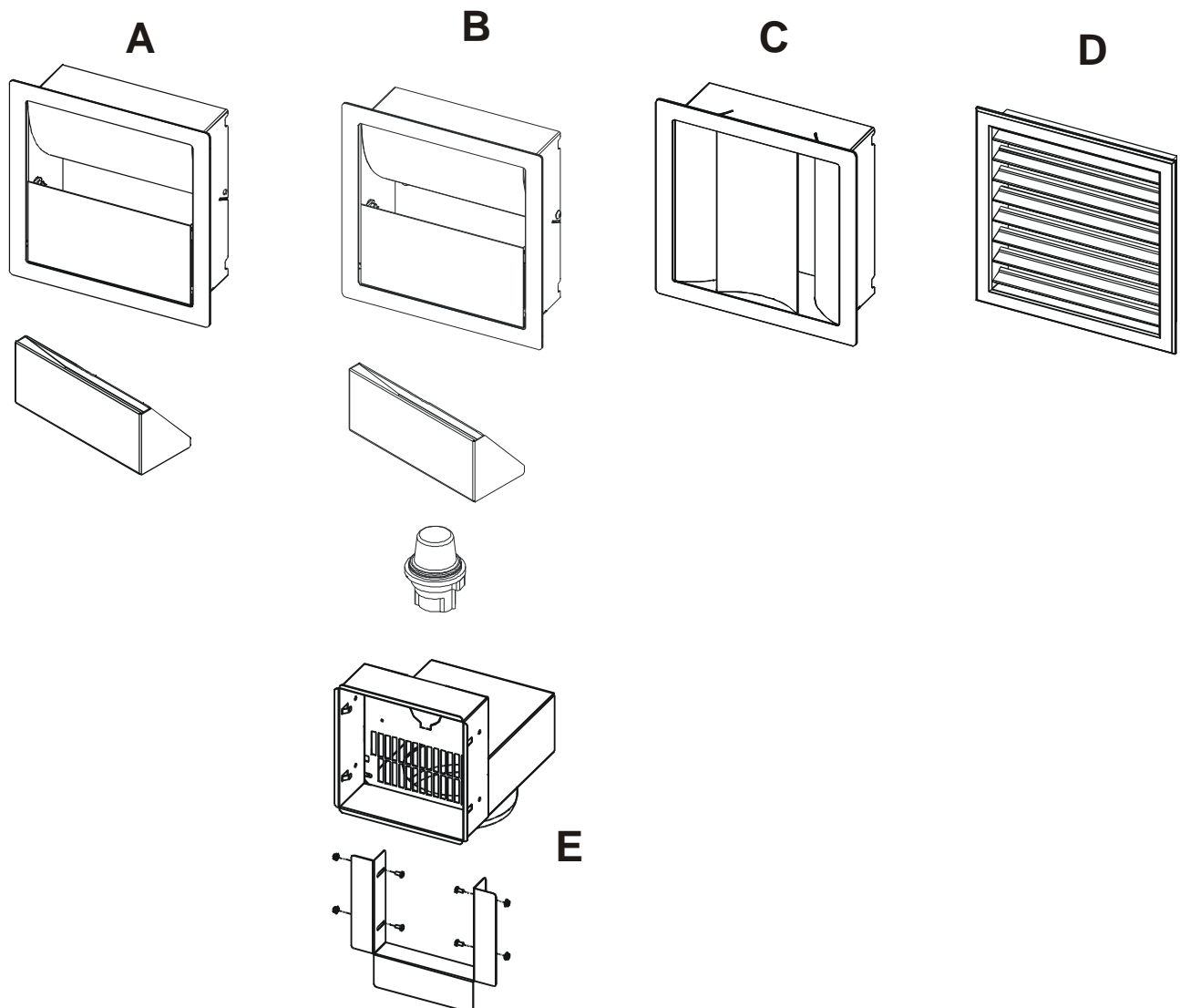


1. Outlet structure with fan with and without lighting (2 pieces)
2. Fastening bracket group (2 pieces)

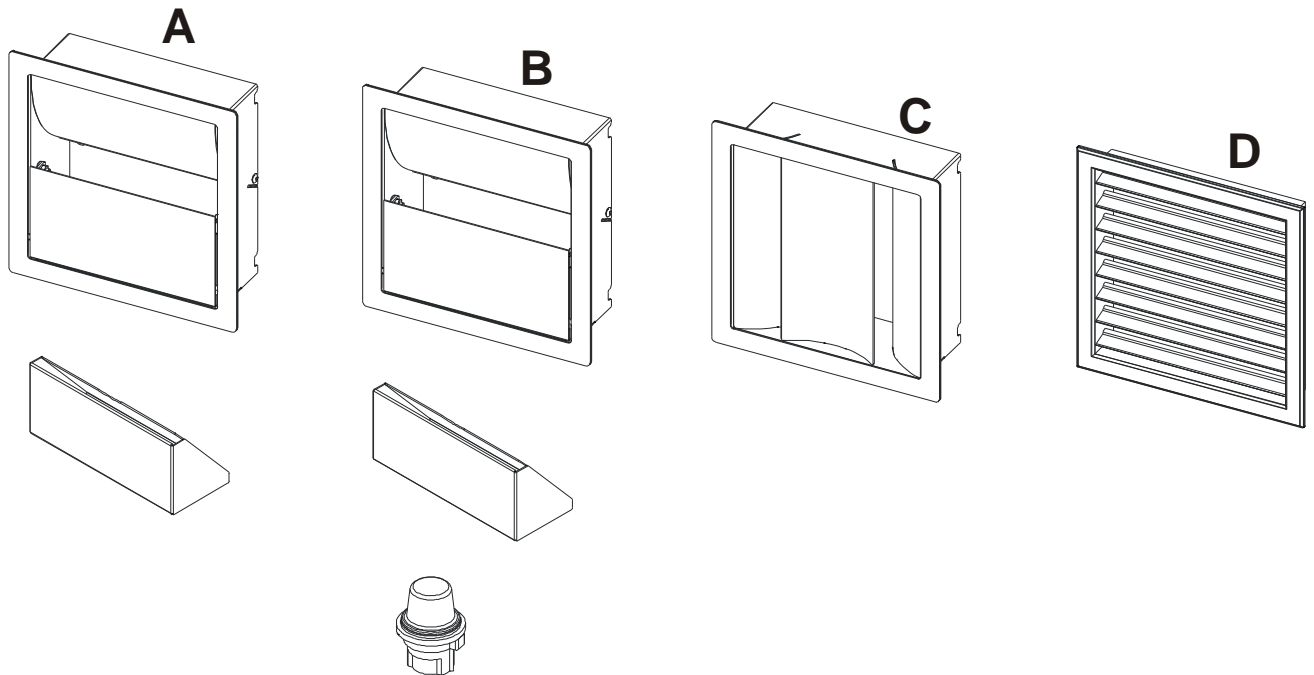
3. Hose  $\varnothing$  100 L=1.5 m (2 pieces)
4. Flange  $\varnothing$  100 VF (2 pieces)
5. Hose clamp D.60-170 (4 pieces)
6. Control unit

## 5.2. ACCESSORIES

### 5.2.1. Air outlets of natural ventilation kit with and without illumination



- A** – One-direction air outlet without illumination (includes container for dehumidification)
- B** – One-direction air outlet with illumination (includes light and container)
- C** – Two-direction air outlet
- D** – Multi-direction air outlet
- E** - Natural ventilation air outlet structure for illumination + Fastening bracket group (2 pieces)

**5.2.2. Air outlets for forced ventilation kit**

**A** – One-direction air outlet (includes container/without illumination)

**B** – One-direction air outlet (includes container and illumination)

**C** – Two-direction air outlet

**D** – Multi-direction air outlet



### 5.3. INSTALLATION OF THE COMFORT AIR KIT

Before installing the natural or forced ventilation COMFORT AIR kit, make sure you have the following material available (fig.1):

1. **For natural ventilation:** connect the hoses (a) and the flanges (d)  $\varnothing 150$  to the connections on the upper part of the stove unit (fig.1).  
**For forced ventilation:** connect the flanges (d) and the hoses (a)  $\varnothing 100$  to the connections on the upper part of the stove unit. Forced ventilation uses hoses with a smaller diameter than those used for natural ventilation.
2. prepare on the wall (f) at the desired height two holes for the hot air outlets measuring 185 mm x 185 mm
3. Insert the structure of the selected outlet (g) in the holes of 185 x 185 mm, working from the outside towards the inside of the wall
4. on the inner part of the wall, at the structure of the air outlet (1), attach the fastening bracket group (2), using the four screws and nuts provided (fig.2)
5. connect the hose (a), previously fastened to the fireplace hose, to the connection located on the structure of the air outlet (e)
6. tighten the hose (a) on the connection (e) with the provided clamp (c)
7. **before the cladding is complete** connect the electrical cables of the light and/or fan, since everything to be done afterwards can be done from the outside.

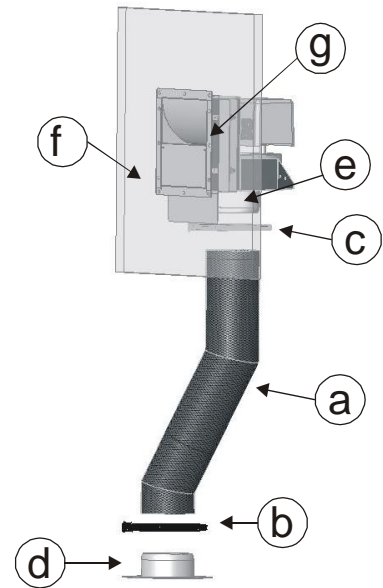


Figure 1– Hose connection

If limitations of space make it impossible to use the bracket provided, proceed in any case so that the kit is firmly fastened, using the recessed box (optional).

It is advisable to:

- **Limit the ducting to 2 linear metres for natural ventilation, and 8 linear metres for forced ventilation.**
- **For natural ventilation,** it is advisable to position the air outlets at a height of not less than 2 m above the floor. (fig.3).
- **For forced ventilation,** the kit can also be positioned at a certain distance from the fireplace stove (max 8 m). In this case, you must properly insulate the ducts so that the heat is not dispersed and heats only the masonry.
- If possible, provide ducts of the same distance to prevent different quantities of air at different outlets.

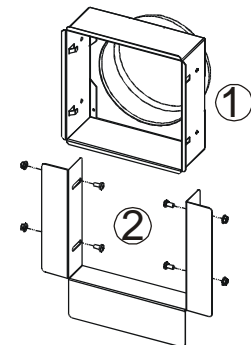


Figure 2– Kit installation

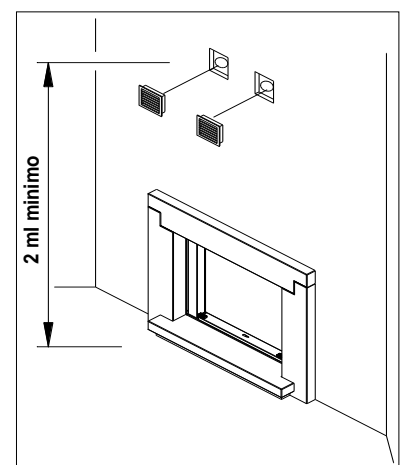


Figure 3 – Installation of hot air outlets

### 5.3.1. Variation for air outlet with container

The essence container (2) is available only on the one-direction air outlet with and without light. Its purpose is to humidify the air.

The container (2) can easily be removed from its seat. To do so, lift the door (1) at the bottom and extract the container (see fig.4).

Place **only water** in the container. It is possible to add essences to perfume the room.



**IMPORTANT!**

**EXTRACT THE CONTAINER FROM ITS SEAT FOR FILLING ONLY WHEN THE AIR OUTLET IS COOL AND THE STOVE UNIT IS OFF.**

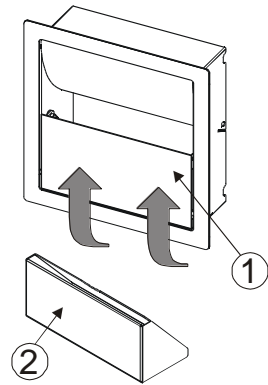


Figure 4– Container

### 5.3.2. Variation for air outlet with illumination

If you decide to install the ventilation kit with illumination, you must remove the knockout panel located on the structure of the air outlet (fig.5) and pre-install the light (a).

To open the pre-cut knockout panel, strike it with a rubber mallet. (fig.5).

Install the light (a) on the structure of the air outlet at the knockout panel so that it is facing the front of the structure (fig. 6). Fasten the light using the two brackets (c) with the screws (b) and bolts (d) provided.

Once you have inserted the light (a), make the electrical connections. In the rear part, insert the two female terminals on the tips of the light (fig.7)

For forced ventilation, you will need to connect the power cord of the light (included) to the control unit in the appropriate terminal. For natural ventilation, the connection must be made to a wall switch (**to be done by the installer**).

The cable provided for connection of the light is 2.5 metres. For greater lengths you will need to use an extension cord.

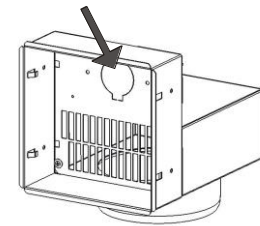


Figure 5– Knockout for insertion of light

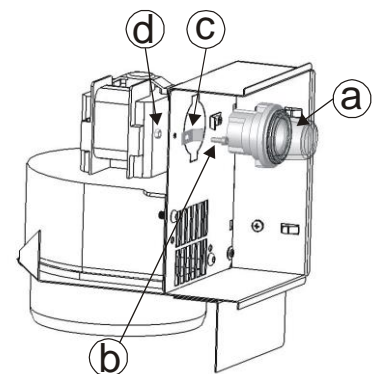


Figure 6– Fastening the light



**IMPORTANT!**

**The cable for the connection of the light/fan is made of silicone material to withstand high temperatures. If you use extension cords (over 2.5 m) or in any other circumstance, make sure that the cord does not come into contact with the hot parts of the stove and of the air connection hoses in the cladding of the structure.**

**If you install the comfort air kit with illumination, it is necessary to pre-install the light on the kit before inserting it in the hole.**



Figure 7-Lamp electrical connections

### 5.3.2.1. *Maintenance of air outlet with illumination*

**ATTENZIONE!**

**DISCONNECT THE 230V POWER CORD BEFORE PERFORMING ANY MAINTENANCE.**

- **Light bulb replacement**

1. remove the air outlet by pressing on its sides
2. unscrew the light bulb that has burned out
3. screw in the new light bulb (15 Watt).
4. re-insert the air outlet



**Use only light bulbs that are resistant to high temperatures, such as those used in kitchen ovens.**

- **Cleaning glass light fixture of the air outlet**

1. Open the door that contains the dehumidification container.
2. Remove the container
3. With the key provided, loosen the two screws, so that the bracket that supports the glass slides in the slots. Hold the glass with one and with the other free it from the bracket. Remove it and clean it.
4. Once you have cleaned the glass, re-insert it in its seat. Secure it by following the previous steps in reverse order.
5. Put the container and door back in place.

**IMPORTANT!**

**When you unscrew the screws to remove the glass, hold the glass with one hand; otherwise it will fall.**

## 5.4. CONTROL UNIT



### IMPORTANT!

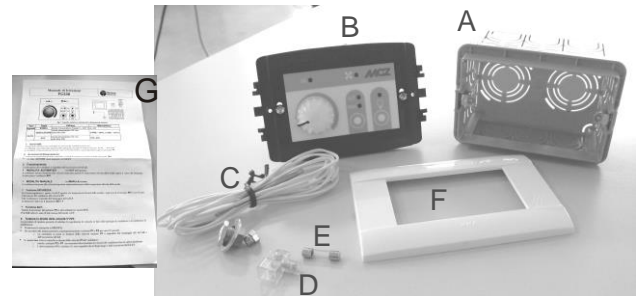
All electrical connections must be performed by qualified personnel in accordance with current laws in each nation, using suitable equipment and in compliance with the diagram indicated in this booklet. All operations must be performed with the 230V 50 Hz mains power cord disconnected.

McZ shall not be held liable for damage to persons or things due to incorrect connections or improper use of the device.

### 5.4.1. Composition of control unit

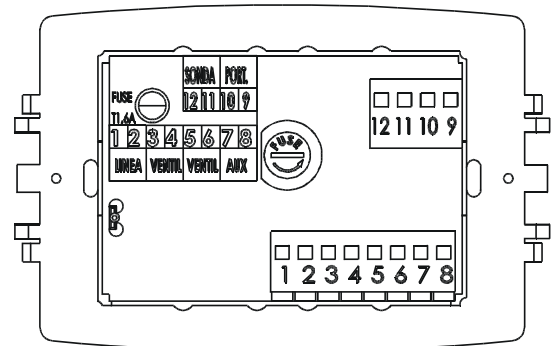
The following material is provided with the control unit:

- A. recessed box
- B. Control unit, screws for fastening and power cord
- C. Probe and cable clamp
- D. Terminal for the common earth cable
- E. Spare fuse (1.6 A)
- F. Plate
- G. Instructions



The control unit is equipped with 6 double terminals for the connection of:

- 1. Line (1-2 LINEA)
- 2. Fan 1 (3-4 VENTIL.)
- 3. Fan 2 (5-6 VENTIL.)
- 4. Light (7-8 AUX)
- 5. Switch for door opening (9-10 PORT.)
- 6. Probe (11-12 SONDA)



### 5.4.2. Positioning of the control unit

Make a hole in the wall (about 10X7.5 cm) for the installation of the control unit, taking into account the positioning of the probe.

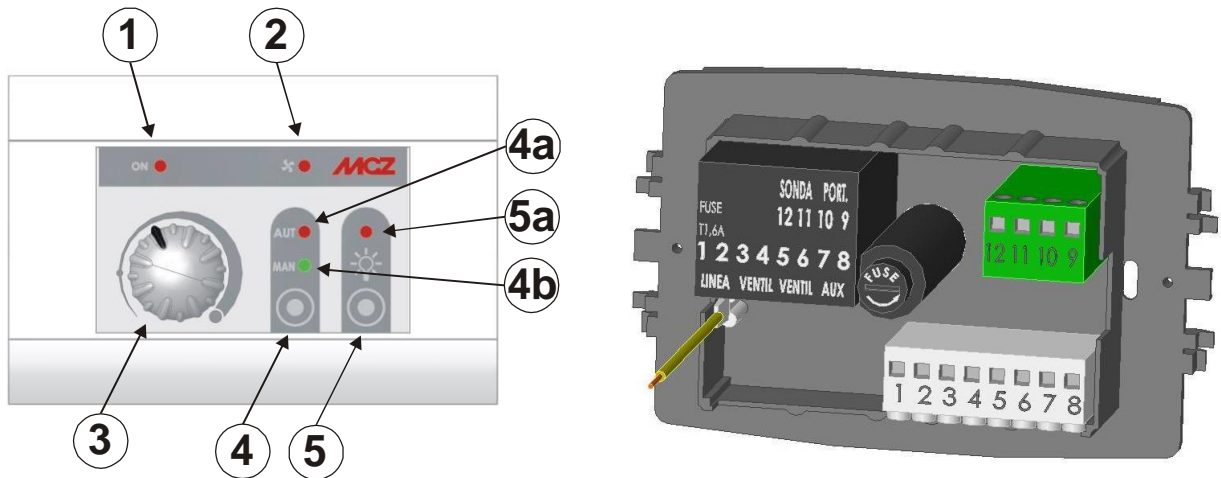
In this hole, insert the recessed box (A) without the control unit body (B). Be sure to position it **in a dry place, as far as possible from heat sources**, compatible with the position of the probe.

Run the cables (probe, power supply, fan and switch for door opening) through the recessed box (A) so that they are available for connection. Connect them to the terminals located on the control unit as shown in figure 4.14.

Once connections are complete, insert the control unit body and fasten it with the provided screws to the recessed box (A).

Finally, insert the white plate provided (F) or any other one, since the control unit body is set up to house AVE SYSTEM 45 series and VIMAR IDEA series plates using special hooks.

## 5.5. GENERAL INFORMATION ON THE CONTROL UNIT



1. "ON" –"OFF" indicator light
2. Fan active light
3. Fan speed control knob
4. MAN/AUT button
  - 4a. Automatic
  - 4b. Manual
5. Lamp on button
  - 5a. Lamp on/off

The device makes it possible to control the speed of the fan it is connected to. The speed is set by turning the knob to 10 speed steps: 0, V1; ..... V9, V10.

MANUAL/AUTOMATIC mode is set using button **4**.

### 5.5.1. On/off

The control unit is turned on and off by turning knob **3**.  
On status is indicated by LED **1**.

### 5.5.2. Operation

Activation of the fan is signalled by LED **2**

#### **AUTOMATIC mode (AUT LED on 4a)**

The **AUT** is generally used to turn off the fan.

For example, in the evening you can load wood for the last time and turn the selector to **AUT**. The fan, with the consent of the probe, will continue to provide hot air until the temperature drops. In this way, you will keep the room comfortable all night long. The next morning, the fire box will contain embers ready for a new load of wood or it will be out.

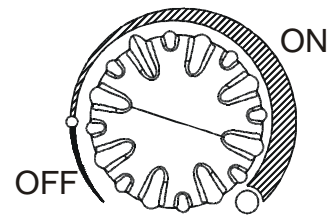
#### **MANUAL mode (MAN LED on 4b)**

The fan runs at the selected speed independently of the temperature measured by the sensor. When the stove unit is turned on, on the control unit place selector **4** in manual **4b**.

The speed of the fan is set using the knob (**3**).

With the knob turned completely to the left, the fan is off as is the indicator light (**1**). Turn the knob to the right to change from "OFF" to "ON" (indicator light **1** on). If you continue turning the knob to the right, the speed of the fan will gradually increase (indicator light **2** on).

In manual mode, the fan will operate in a mode regardless of the probe, and will therefore be controlled by the knob (**3**)



### 5.5.3. Safety function

When knob **3** is in the off position, the safety function is active.

**If the temperature probe reaches the safety threshold, the fans come on at minimum speed to prevent overheating of the structure.**

If the safety function trips frequently, contact the technical service department of **MCZ**.

### 5.5.4. Light on (if present)

Press button **5** to turn the light on or off.

The LED **5a** indicates the status of the light.

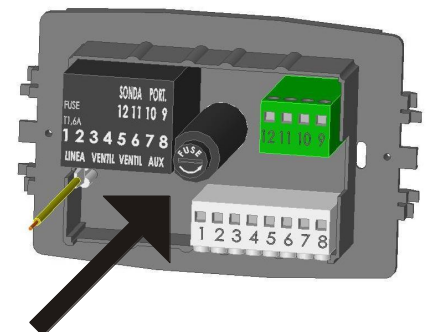
### 5.5.5. Replacing the fuse of the control unit

The control unit is equipped with a fuse that protects the system against voltage overloads.

When mains power is provided at 230V-50Hz, if none of the indicator lights of the control unit come on, the fuse is probably faulty.

To replace it, proceed as follows:

- remove the plate that covers the control unit
- unscrew the two screws that hold the control unit to the wall box
- carefully extract the body of the control unit
- open the plug and replace the faulty fuse with a working one (about 1 A)



#### IMPORTANT!

**All electrical connections must be performed by qualified personnel in accordance with current laws in each nation, using suitable equipment and in compliance with the diagram indicated in this booklet. All operations must be performed with the 230V 50 Hz mains power cord disconnected.**

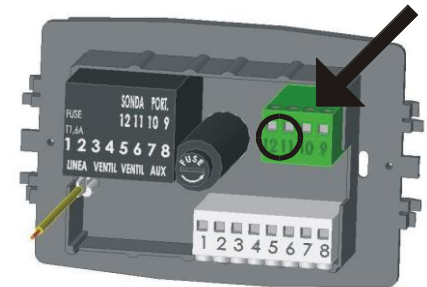
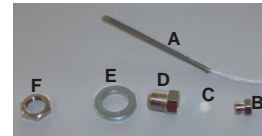
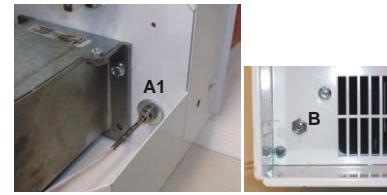
**McZ shall not be held liable for damage to persons or things due to incorrect connections or improper use of the device.**

## 5.6. INSTALLATION OF TEMPERATURE PROBE

The temperature probe must be connected to the control unit and to the duct (1) of a kit (see diagram below) and has a length of 2.5 m. Greater distances require the use of and extension to be provided by the installer.

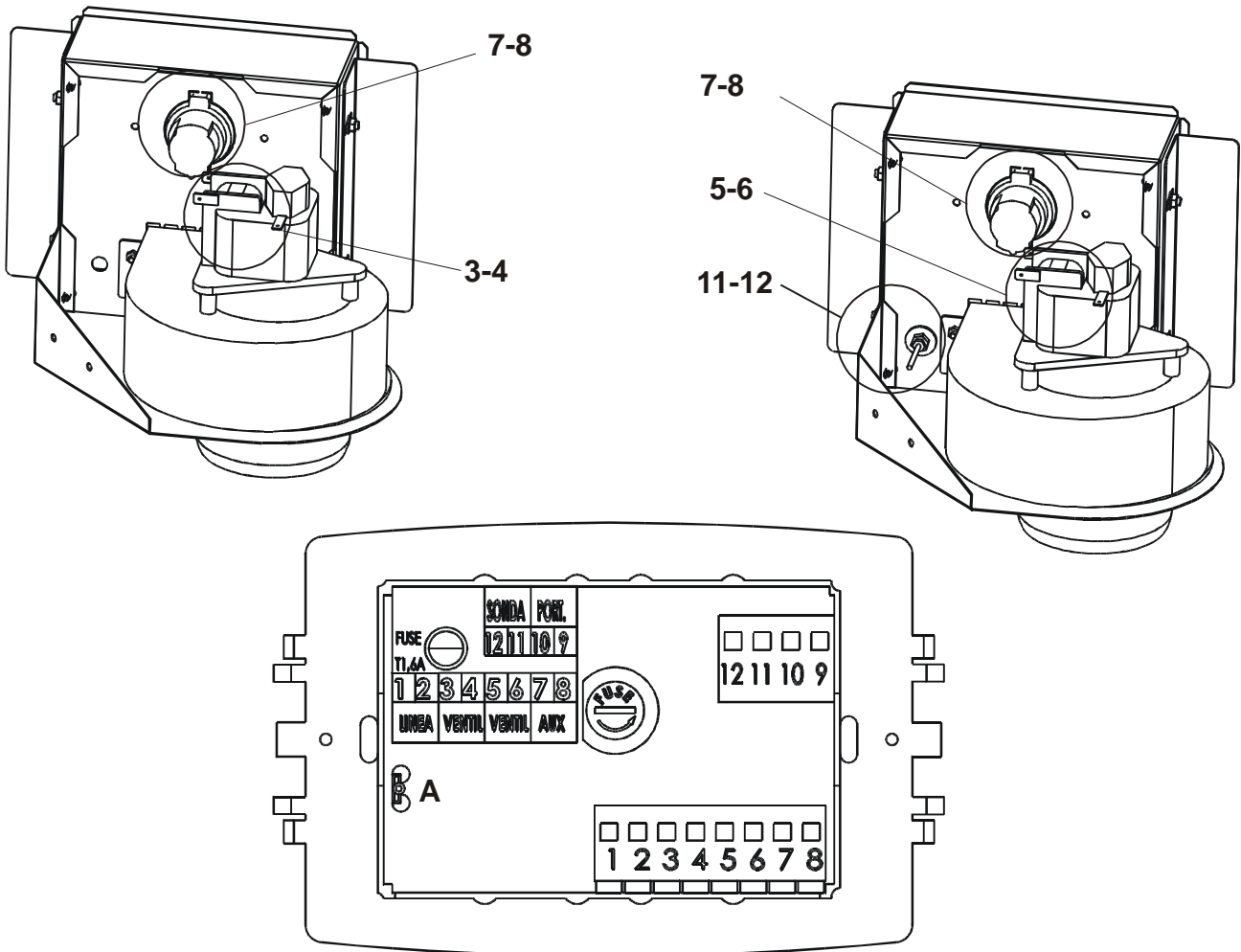
### PROBE INSTALLATION

- Insert the plastic piece **C** in **D** and screw in **B** without forcing it. On the threaded part of piece **D** insert washer **E**
- The group thus formed **A1** must be inserted on the rigid part of the cable of probe **A**
- Identify the pass-through hole for insertion of the probe on the duct (1); on the grille at lower right alongside the fan.
- Insert in the hole the cable of probe **A** with the block **A1** and secure it on the other side with the nut **F**
- Insert the other end of the cable of probe **A** in the control unit in the indicated position (12-11)





### 5.7. CONNECTIONS



- LINE (1-2 LINEA)
- FAN 1 (3-4 VENTIL.)
- FAN 2 (5-6 VENTIL.)
- LIGHT (7-8 AUX)
- SWITCH FOR DOOR OPENING (9-10 PORT.)
- PROBE (11-12 SONDA)
- TERMINAL FOR EARTHING (A)

Connect fans 1 and 2 to the corresponding terminals on the control unit (3-4 and 5-6).

Connect the probe (11-12); see paragraph 5.6.

For air outlet with light, connect the power cord to the control unit on the terminals (7-8). For air outlets with a light for natural ventilation, make the connection to a dedicated switch.

Connect the power cord of the control unit (1-2) to the 230V 50HZ mains socket.

Once the connections have been made, activate MAN operation and try turning on the fans to see if they all work. Turn the knob right and left to test the various speeds.

When connections are complete, install the selected air outlets.



### 5.8. REPLACING THE FAN



**ATTENTION!**  
**DISCONNECT THE 230 V POWER SUPPLY.**

- Remove the air outlet
- Loosen the four screws **A** that are located on the grille on the four corners fig. 8
- Loosen the two middle screws **B** that hold the fan to the duct



**ATTENTION!**  
**WHEN THE CABLES ARE DETACHED, MAKE SURE TO SECURE THEM.**

**IF THEY FALL INSIDE THE CLADDING THERE IS NO WAY TO GET THEM BACK OUT.**

- Extract grille **C**
- Detach the cable of the fan
- If the light fixture has a light bulb, disconnect the power cables when extracting the flange.
- It is now sufficient to turn the fan with respect to the duct to allow passage without damaging the piece.



**IMPORTANT!**  
**THE FAN MUST FACE AS SHOWN IN FIG.9. NO OTHER POSITIONS THAN THE ONE SHOWN ARE PERMITTED.**



**IMPORTANT!**  
**All electrical connections must be performed by qualified personnel in accordance with current laws in each nation, using suitable equipment and in compliance with the diagram indicated in this booklet. All operations must be performed with the 230V 50 Hz mains power cord disconnected.**

**Mcz shall not be held liable for damage to persons or things due to incorrect connections or improper use of the device**

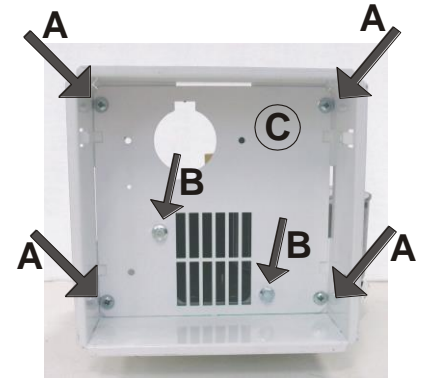


Figure 8– Fan replacement

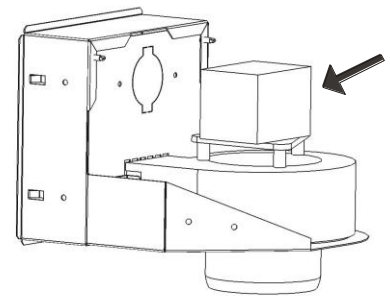


Figure 9– Fan position

## 6. OPERATION

### 6.1. PRE-LIGHTING WARNINGS



Do not touch the fireplace stove when it is lit for the first time. During this phase, the paint finishes drying and hardens. If you touch the paint, you may expose the steel surface.

It is good practice to provide plenty of ventilation in the room during the initial lighting, as the stove will give off a small amount of smoke and smell of paint.

If necessary, touch up the paint with the aerosol spray in the original colour (see "Fireplace stove accessories and inserts")

Do not stay near the fireplace stove, and as previously mentioned, ventilate the room. The smoke and the smell of paint will vanish after about one hour of operation. There are no health risks involved.

During start-up and cooling, the fireplace stove is subject to expansion and contraction; therefore, you may hear slight creaking noises.

This phenomenon is absolutely normal, the structure being made of sheet steel, and must not be considered a fault.



**It is very important not to bring the stove up to full heat immediately. Bring it up to temperature gradually.**

This avoids damages to welds and the steel structure.

**Do not demand full heating performance straight away!**

### 6.2. OPERATING TEST



#### **ATTENTION!!**

**BEFORE PROCEEDING IN ANY WAY WITH THE INSTALLATION OF THE CLADDING, CARRY OUT A GENERAL TEST OF THE FIREPLACE STOVE AS FOLLOWS:**

- Before lighting, however, read Chapter 5.
- Light the fire at low power to ensure the smoke connections do not leak smoke or soot.
- If you install the forced ventilation kit, check that all wiring and the control unit are far from the hot body of the fireplace stove.



**MCZ SHALL NOT BE HELD LIABLE FOR ANY DAMAGE WHICH THE CLADDING MAY SUFFER IF THE AFOREMENTIONED CONTROLS ARE NOT PERFORMED AND IT BECOMES NECESSARY TO DEMOLISH THE CLADDING TO PERFORM REPAIRS OR ADJUSTMENTS.**



### 6.2.1. Phases for first test lighting

- Make sure you have read and completely understood the contents of this instruction booklet.
- Remove any components which might burn from the fireplace stove and door (Packaging, various instructions and adhesive labels).
- Remove the stickers from the ceramic glass or the high temperature could melt them and irreparably damage the glass. In this case, the MCZ warranty does not cover the glass.
- Completely open the front register of the combustion air. (turn the lever all the way to the left)
- Place wood in small pieces that is well dried (humidity 15/20%). Light the fire at low power without excessively heating the structure. It is normal that odours from manufacturing residue will form the first time lighting occurs, and will disappear after a lighting at full power has occurred a few times.

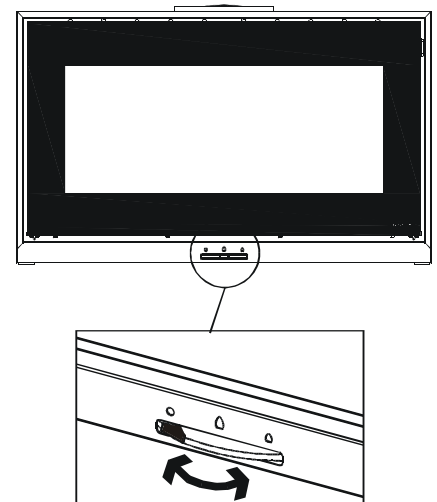


Figure 12 – Maximum adjustment of combustion air opening

### 6.3. CHOICE OF FUEL

To obtain the maximum performance from your VIVO fireplace stove, it is of primary importance to use **wood with suitable characteristics**.

**It is advisable to use** wood for heating such as **oak, beech, locust tree, or oak** with good calorific energy, or logs of pressed wood that **do not have resin. These have a high calorific power and must be used with caution to avoid overheating which could damage the stove.**

**It is advisable to use** fuels such as **poplar, pine, lime tree, or chestnut** which have low calorific power, since they are soft wood and also they do not burn for a long time.

**Avoid using** fuels such as **pine, fir, and olive** as they contain a high degree of resin and their combustion may substantially soil the fire mouth and the ceramic glass; also, they do not have an exceptional yield.

**For all types of wood listed, the humidity they contain is essential because it determines the calorific energy.**

Wood drying time (i.e. beech)	% humidity	Heat power Kcal/h
Freshly cut	50	/
3 months	40	2410
6 months	35	2700
9 months	30	2900
12 months	25	3150
15 months	20	3400
18 months	15	3710
21 months	10	3980

Figure 13 – Calorific energy (e.g. beech) in relation to humidity contained.



**Do not use treated fuels (such as painted or varnished wood, or particle board) or unsuitable materials (such as plastics and derivatives), which could release toxic or polluting substances. Do not burn rubbish.**

**The gases produced by combustion due the use of unsuitable fuels cause damage to the fireplace stove and the chimney, they cause pollution and can compromise your health.**



A high percentage of humidity produces condensation in the smoke duct causing an alteration in the draught and generating smoke and a significant deposit of soot on the glass of the door and in the flue pipe with a possible risk of a chimney fire later on.

## 6.4. FIRST LIGHTING

**It is advisable to approach the first lighting with caution, using good-quality, well-seasoned wood.**

**The primary air inlet must be fully open. Do not use alcohol, petrol, or other volatile flammable substances.** On first lighting, fumes and unpleasant smells may be given off, caused by the drying of the product; this is not hazardous to the health, and it is sufficient to ventilate the room adequately. Once combustion has started, pieces of wood of normal size may be added.

The flame must have as far as possible a smooth and laminar flow. **On the various occasions when the stove needs reloading, the door should be opened slowly, to avoid blowbacks of smoke into the room.**

Proceed as follows:

- Place a small amount of balled paper in the stove.
- Cover the paper with a small quantity of twigs and a few pieces of wood.
- Open the primary air register completely (turn completely to the left) fig.14
- Light the paper and if necessary leave the door open to the first stage.
- When the twigs are burning, the door can be closed.
- Only once the flame is burning well (presence of a bed of coals and full combustion), place the air adjustment between the two flames (see fig.14) large flame to obtain nominal power, small flame for slow combustion.

**As the fire burns, add wood. Never overload the fireplace stove with wood (see technical specifications in the table).**

As soon as the flames have died down and a bed of embers has formed, load the stove normally. Small loads of wood are preferable to large ones for combustion.

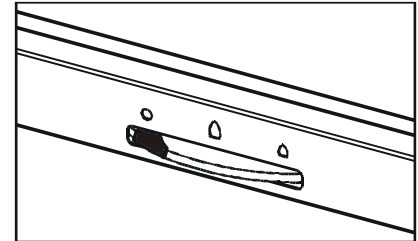


Figure 14 - Adjustment of air register

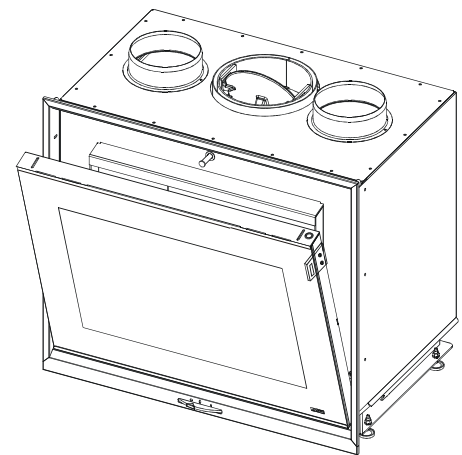


Figure 15 - Door open to first stage



### Attention

- **Do not use volatile, flammable substances (petrol, alcohol etc.) for lighting the fire.**
- **Do not use fuels which could release toxic substances or pollutants.**
- **Do not put the fire out by throwing water on it.**
- **Check the external and internal air intakes, and the flue pipe, at least once a year, arranging for them to be cleaned.**
- **During use, the metal parts and the glass reach high temperatures. For all jobs of loading the stove, adjustment or cleaning the ash drawer, use the insulating glove provided.**
- **Never leave children unattended near the fireplace stove when it is in use.**
- **The risk of burns from contact with hot surfaces is very high.**

## 6.5. LOADING THE FUEL

For normal fuel loading, simply open the fire door via the bracket on the side of the door, using the cold activation device provided, as shown in figure 16.

The door will have a first stage of opening with a minimum inclination, but by pulling further down the door will open completely to 90°. To close the door, do the opposite.

**During use, the metallic structure, the handles and the glass become very hot. Use the thermal glove provided when handling these parts.**

**During normal use, always keep the fire door completely closed**, since intermediate positions cause abnormal combustions (forge effect), rapid consumption of wood and a drastic reduction in the heating efficiency of the unit.

**Open the door only to add fuel, and only for brief periods of time.**

The fireplace stove works best and provides the greatest yield when the door is closed, because the hermetic combustion chamber and the calibrated inlet of oxygen allow increased performance.



**Upon purchasing, the door of the Vivo product, once opened, tends to ajar. This effect occurs as the springs of the door hinges have to normalize with the heat. After the product has been operating for a few days, when the door is completely opened, it will maintain this position in a stable way.**

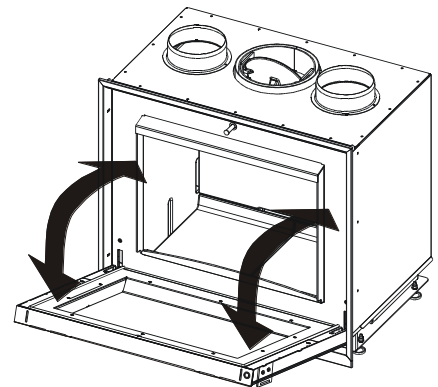
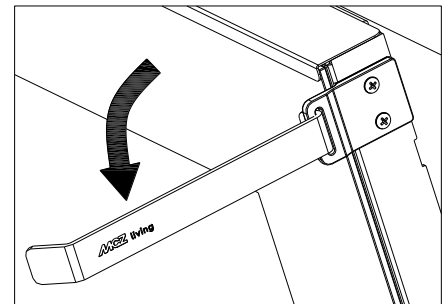


Figure 16 – Detail of full door opening



## 6.6. CONTROL OF COMBUSTION

### PRIMARY AIR

The fireplace stove is equipped with a rear hole of Ø100 mm for the entry of primary air which ensures combustion.

Turn the register all the way to the left to allow the maximum flow of PRIMARY and SECONDARY air to light the fireplace stove.

Once the flame in the fireplace stove is burning well, turn the register until the knob reaches the centre position. In this condition, the primary air inlet is completely closed and the secondary air flow is at a maximum. See sheet 17

### SECONDARY AIR

The adjustment is made with the previously mentioned register. Turn this register from the middle position to the right or left to adjust from MAX to MIN to adjust the flow of only secondary air.



In normal conditions of use, dirt deposits on the glass at lighting, but disappears as soon as the combustion chamber is hot enough.

The use of damp or treated wood emits a higher quantity of smoke than normal that can dirty glass faster. Also the low performance of the flue pipe can jeopardise glass cleanliness since smoke remains in the combustion chamber longer than normal.

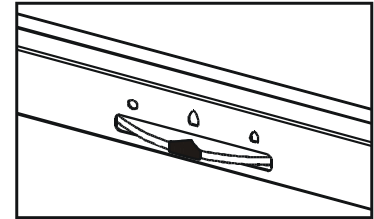


Figure 17 – Detail of air register

## 6.7. SMOKE VALVE ROD

The system works only with efficient draught of the flue pipe (see technical characteristics) and lets you better control combustion, thus prolonging it.

By inserting the smoke valve rod in the hole, you mechanically close the valve on the smoke outlet connection. Figure 18

For example, in the evening, if you load a substantial amount of wood (about 5 kg) and you adjust the air to the minimum (figure 19), you will keep the room comfortable all night. In the morning, the fire box will still contain embers ready for a fresh load of wood.

Obviously you can also use the rod in the morning or when you like.



**You must not use the inserted rod if there is poor draught. Use in these conditions (low pressure, or flue pipe partially obstructed) may cause choked combustion and dirtying of the glass.**

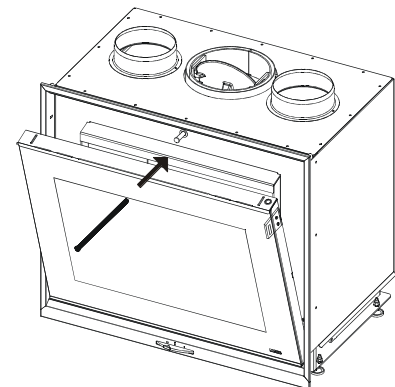


Figure 18 – Smoke valve inserted

When the rod is not in use, you should place it in the seat indicated in *figure 20* to protect it and have it available at all times.

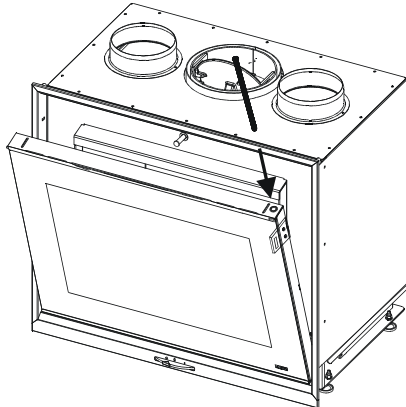


Figure 20 – Smoke valve rod case

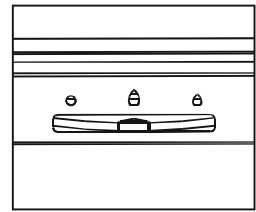


Figure 19 – Air adjustment (see chap. 6.4 general manual of Vivo)

### 6.8. FRAME REPLACEMENT

It is possible to replace the frame around the door as follows (*figure 21*) :

- Open the door
- Loosen the screws on the sides
- Loosen the frame

This operation is possible to replace the frame provided with the optional one of 50 mm.

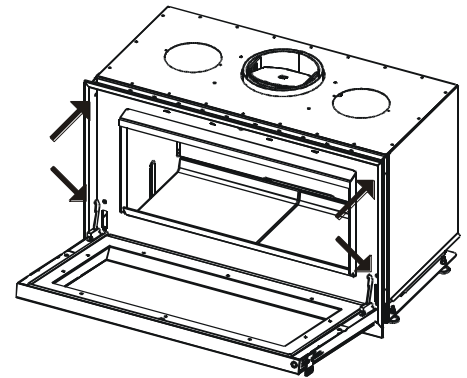


Figure 21– Frame replacement

### 6.9. EMERGENCY SITUATIONS

If for any reason the stove fire needs to be suddenly and quickly put out or a fire in the flue pipe needs to be put out, proceed as follows:

- The equipment door must be kept closed.
- Disconnect the power supply and do not use water (shock hazard).
- Urgently request the intervention of the competent authorities.

## 7. MAINTENANCE AND CLEANING



### ATTENTION!

All cleaning operations of all parts should be conducted with the fireplace stove cold.

### 7.1. CLEANING TO BE PERFORMED BY THE USER

#### 7.1.1. Cleaning the glass

Specific products can be used to clean the glass (see our price list), a cloth dampened with water and ammonia or a bit of white ash and a newspaper.

Completely lower the door (*figure 21*) when cleaning the glass

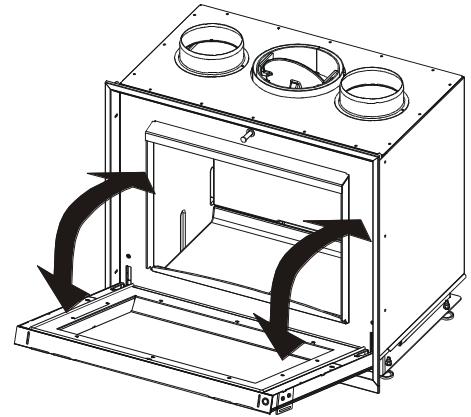


Figure 21 – Opening the door



### ATTENTION!

Do not spray the product on the painted parts or on the gaskets of the door (ceramic fibre cord)

#### 7.1.2. Cleaning out the ashes

This must be done when the fireplace stove is off and cold.

It is advisable to adequately clean the fire bed for proper combustion.

To remove the ashes from the fire bed, use a metal scoop and brush. Place the ashes in a non-flammable container for transport.

**Ashes that are still hot should be kept outdoors with great care, and not placed in a waste container. Leave them to cool down in the open air in a metal container.**

#### 7.1.3. Cleaning the refractory material walls (ALUTEC®)

They do not require any cleaning, since the feature of this material (ALUTEC®) is that it does not absorb soot but rather repels it when the fire box is hot. During the lighting phase, during which the fire box tends to blacken, the refractory materials will turn white again, starting from the base of the flame, when the combustion chamber reaches its operating temperature (~ 400° C).

If this does not happen, it may be due to the following:

- Humid or resinous wood that does not release enough heat or that dirties the combustion chamber (*see chapter 5.3*)
- Flue pipe with poor performance resulting in smoke remaining too long in combustion chamber, dirtying the fire box.
- Flue pipe with poor performance which does not allow fireplace stove to reach high yield that results in adequate temperature of the refractory material.



**Never clean the refractory material with a damp cloth or anything else, as it may be stained.**

**Use a dry paintbrush if necessary to remove heavy soot build-up.**





If the Alutec does not whiten, it is not to be considered as a defect in light of the warnings and instructions above.

## **7.2. CLEANING TO BE DEALT WITH BY SPECIALIZED TECHNICIAN**

### **7.2.1. Cleaning flue pipe**

Mechanical cleaning of the flue pipe is recommended at least once a year. Excessive deposits of unburnt solid material can cause problems with the evacuation of smoke, and gives rise to a risk of chimney fires.

To clean the appliance's chimney flue, remove the smoke deflectors. To remove the smoke valve, hold it in a vertical position, lift it, and move it about ten cm towards the back of the chimney to free it from its hook.







**MCZ GROUP S.p.A.**

Via La Croce 8

33074 Vigonovo di Fontanafredda (PN) – ITALY

Telephone: +39 0434/599599 PBX

Fax: +39 0434/599598

Internet: [www.mcz.it](http://www.mcz.it)

e-mail: [mcz@mcz.it](mailto:mcz@mcz.it)