



*The next generation of Electric Fires*





*The best looking fire*





# WELCOME

## *Trimline Fires creates...*

Trimline Fires allow you to create and personalise the fireplace of your dreams.

Find out the possibilities with our new collection of electric fires. Having an atmospheric fireplace has never been easier and accessible, with our plug and play appliances.

## *Heart-warming creations*

The options are endless, no extensive alterations are required to your home. Our fireplaces can be installed in almost any spot in your house, a perfect match between technology and design.

*Find your spark!*

# Trimline Fires Electric creations

Welcome	3	Modular options	26	Fabricated chimney breast kit	35
Everything in-house for the best products	5	Benches	28	Product dimensions	36
You are in control	6	Tempus	28	Trimline Fires fireplaces Europe	38
Create your dream design @home	7	Calcatta	28	Let's keep in touch	39
Trimline 75E		Solna	29		
Front	9	Orebro	29		
Panoramic	11	Malmo	29		
Corner	13	Plinths	30		
Trimline 90E		Omnia oak	30		
Front	15	Omnia white	30		
Panoramic	17	Omnia veritas agean	31		
Corner	19	Omnia veritas granite	31		
Trimline 140E		Shelves and trims	32		
Front	21	Mini	32		
Panoramic	23	Midi	32		
Corner	25	Maxi	33		





# Everything in-house for perfect creations



## *Historic Base*

Trimline Fires are modern and chic, filled with technological advances and suitable for almost any spot in your home. We've travelled a long road to get to this point.

In 1974 thermoCet was founded as manufacturer of gas fires. From that point on we have grown significantly and expanded our business all over Europe. 2019 saw the launch of our electric Trimline Fires.



## *High Quality*

We are passionate about the fireplaces we create. Our products are skillfully designed to ensure ultimate comfort and convenience.

For complete peace of mind all manufacturing processes are undertaken at our manufacturing facilities. From R&D with our on site testing facilities at our head office in Woudenberg (The Netherlands) to our manufacturing and assembly.



# You are in control



## *Controllability*

Our Trimline appliances are easy to control with the included infrared remote. The fires are ERP compliant and have a heat output range of 0.75Kw – 1.5Kw. With the thermostatic control option you are able to control the warmth or use the timer function. The flames are illuminated using LED technology which can be controlled independently above and below the fuel bed.

Control the fire the way you prefer to get the best looking flames for a lot of enjoyment!



# Create your dream design @home



## *Customize*

Our electric collection is available in three sizes; 75, 90 and 140cm and have a range of exquisitely designed suites available in a variety of materials designed to suit every interior. These stunning appliances can be transformed into a panoramic, corner or front facing appliance with the clever use of a conversion kit, included at no extra cost making it one of the most versatile fires available.

Our modular systems are designed to integrate seamlessly with the electric range offering you the flexibility to enhance your home perfectly.

\*READ MORE ABOUT CUSTOMIZATIONS ON PAGES 26-35









# Trimline 75E Front

---

The Trimline 75E Front facing fire offers the possibilities to enjoy romantic evenings by the fireside.

This appliance is perfect as a built-in or combined with a more traditional mantle.

*Classic looks combined with modern technology.*

This front fire is designed to be positioned beautifully into integrated walls or retrofitted into existing chimneys. This highly efficient innovative electric fire is skillfully engineered allowing a truly trimless aspect. This means no distracting frames or visible mechanical workings, just fire.





# Trimline 75E Panoramic

---

The Trimline 75E Panoramic fire lets you enjoy its flames from all three sides. Its dancing flames will generate happy moments, giving you time for reflection, either alone or with loved ones.

Let this fire fill your home with a vibrant energy!

*Energy creates more energy.*

This stunning fire makes an amazing centerpiece in any home. The three sided fire allows a totally unrestricted view of the fire from all sides of the room at the touch of a button.





# Trimline 75E Corner

---

This Trimline 75E Corner fireplace is the perfect fireplace to create a welcoming interior. View the dancing flames from two sides. This appliance fits almost everywhere in your home, the only thing you need is a wall and enjoy!

*Electrify your fire. Plug and play.*

If you are looking to make a real statement, a corner fire may be the perfect choice. The highly efficient corner fires allow you to view the beautiful flames from different angles and are available in either left-sided or right-sided options.





# Trimline 90E Front

---

Are you looking for a generous landscape fireplace, without having to sacrifice too much valuable space? The Trimline 90E Front suits all interiors, giving a luxurious appeal at the touch of a button.

*Create your landscape  
wherever you want.*

This inset fire is designed to be positioned beautifully into integrated walls or retrofitted into existing chimneys. This highly efficient innovative electric fire is skillfully engineered allowing a truly trimless aspect. This means no distracting frames or visible mechanical workings, just fire.





# Trimline 90E Panoramic

---

Imagine this panoramic fireplace lighting up your home! Think of all the wonderful evenings you'll enjoy gathered around this fireplace. The design is beautiful, and the resulting experience will be extraordinary. This eye-catching fireplace will add a unique ambience to any room.

*The finishing touch, in combination with our modular options.*

This stunning fire makes an amazing centerpiece in any home. The three sided fire allows a totally unrestricted view of the fire from all aspects of the room at the touch of a button. This fire is compatible with our modular options.





# Trimline 90E Corner

---

Not too big, not too small, just perfect. An electric fireplace with an extra dimension. This Trimline 90E Corner model has got it all. The good thing is, it will fit almost everywhere in your house.

*The right side, from every side.*

If you are looking to make a real statement, a corner fire may be the perfect choice. The highly efficient corner fires allow you to view the beautiful flames from different angles and are available in either left-sided or right-sided options.



# Trimline 140E Front

---

Are you looking for an extra little something? An extra touch of elegance, or an extra wide fireplace? The Trimline 140E Front is sure to result in extra enjoyment! Discover how luxurious your home can feel with the addition of this fireplace.

*An extra touch of elegance.*

This inset fire is designed to be positioned beautifully into integrated walls or retrofitted into existing chimneys. This highly efficient innovative electric fire is skillfully engineered allowing a truly trimless aspect. This means no distracting frames or visible mechanical workings, just fire.







# Trimline 140E Panoramic

---

Elegance at your disposal. Dreaming of having a panoramic fireplace? Then the Trimline 140E Panoramic is perfect for you! Cosy evenings with friends and family. With this extra wide electric fireplace, you'll have everything your heart desires.

*Enjoy the passionate play of flames cast by this panoramic fireplace - ultimate elegance.*

This stunning fire makes an amazing centerpiece in any home. The three sided fire allows a totally unrestricted view of the fire from all sides of the room at the touch of a button. This fire is compatible with our modular options.





# Trimline 140E Corner

---

If you're looking for an electric fireplace that will draw attention and occupy a prominent spot in your space, the Trimline 140E Corner will mark the end of your search! A true upgrade for your room.

*Next level fireplace.*

If you are looking to make a real statement, a corner fire may be the perfect choice. The highly efficient corner fires allow you to view the beautiful flames from different angles and are available in either left-sided or right-sided options.



# Modular options

---

We have created a range of modular wall mounted and floor standing surrounds flawlessly constructed from high-quality materials. From modern to traditional, our fire surrounds are designed to suit a variety of room settings.

The classical crafted lines are a beautiful way to enhance any living space. The highly versatile modular sections allow you to mix and match to suit your requirements.

Design a unique fireplace with this new range offering the ultimate flexible approach by letting you build your fireplace the way you want to.



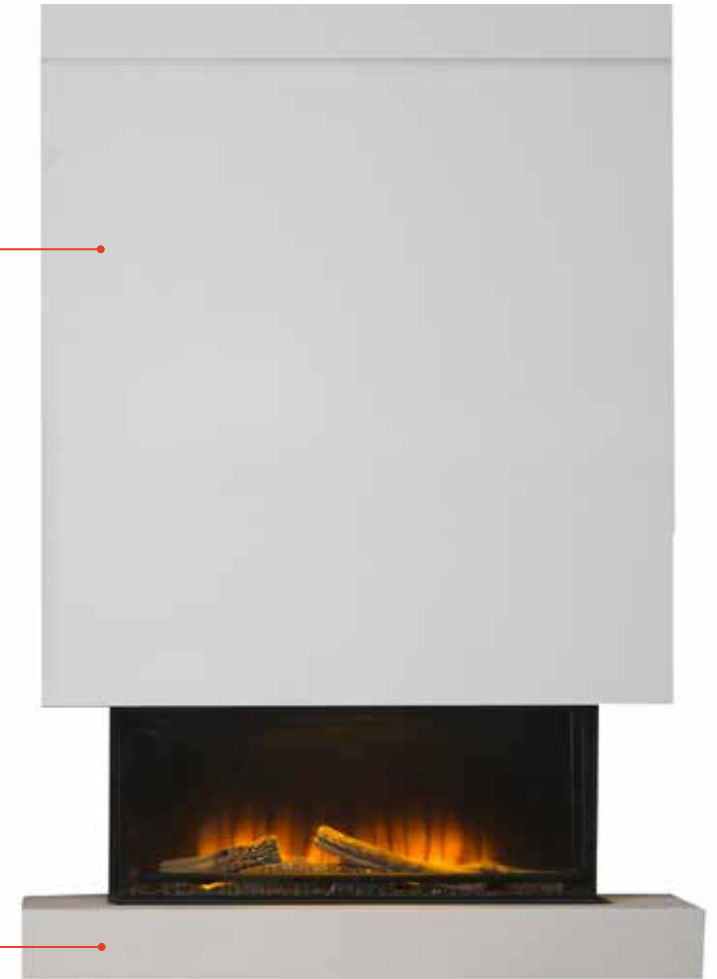
Chimney breast kit

Shelf

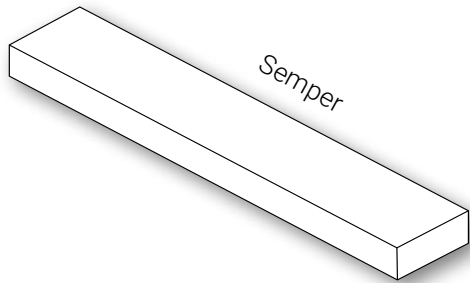
Decorative trims

Bench

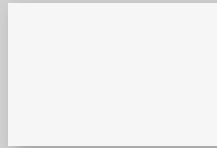
Floating plinth



Shelf

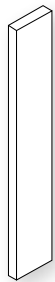


Shelf available in:

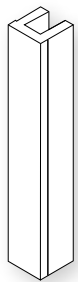


White

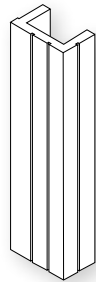
Decorative trims



Mini

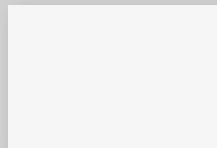


Midi

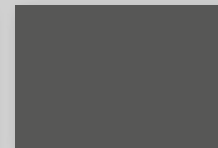


Maxi

Trims available in:

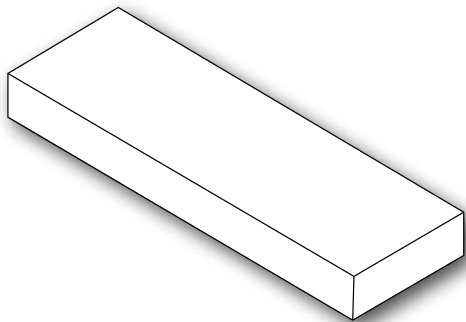


White

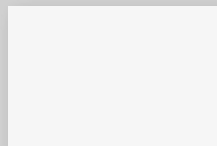


Grey

Floating plinths



Plinths for Trimline 90E available in:



White



Oak



Veritas granite

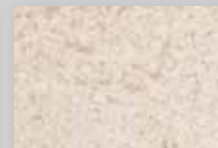


Veritas agean limestone

Plinths for Trimline 140E available in:



Veritas granite



Veritas agean limestone

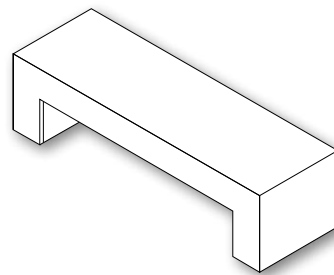
# Benches

Our modular systems are designed to integrate seamlessly offering you the flexibility to enhance your home perfectly. With different designs and different materials, we most certainly have a bench for your interior. Take a closer look on the different options to give your hearth an even better look.



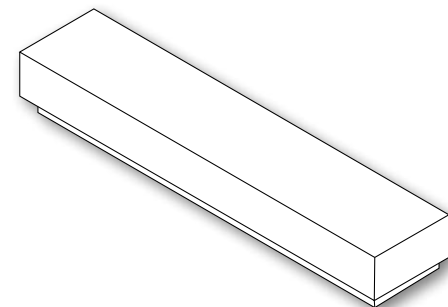
Tempus

The Tempus bench works perfectly with your electric fire. With its timeless appearance it suits every interior. This floor-standing bench is quick and easy to install.



Calcatta

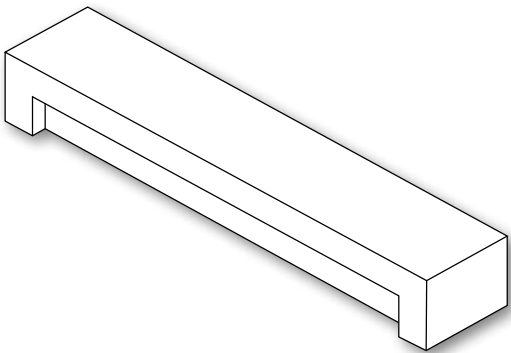
Going for a more classic look then the Calcatta bench could be the choice for you. Its marble look has an elegant and chic appearance.





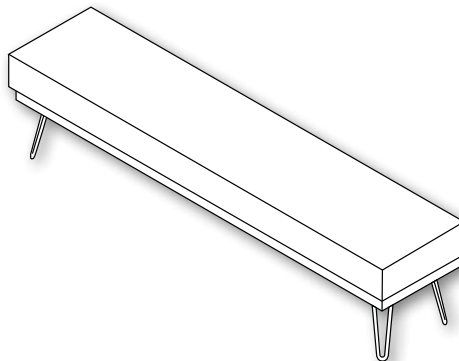
### Solna

Wide and straight lines are a beautiful way to enhance any living space. This bench fits perfectly in both a modern and more classic interior.



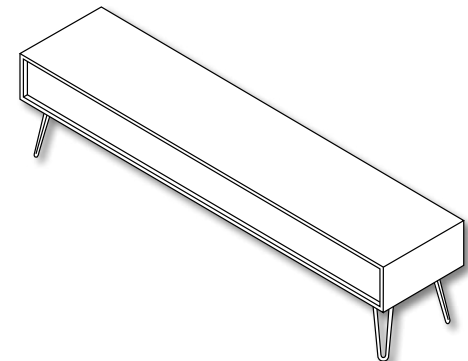
### Orebro

Give your living space a grand centerpiece with the Orebro bench. With its modern contemporary feel it will work perfectly for those looking for a more modern setting.



### Malmo

The Malmo bench with its modern and stylish features works in perfect combination with the 140 appliance. Create an eye-catching unique fireplace with this Malmo bench.





# Plinths

The classical crafted lines are a beautiful way to enhance any living space. The highly versatile modular sections allow you to mix and match to suit your requirements.



Omnia oak effect floating plinth  
suits Trimline 90E



Omnia white floating plinth  
suits Trimline 90E

Omnia veritas agean  
limestone floating plinth  
suits Trimline 90E/140E



*Choose your  
personal style.*

Omnia veritas granite floating plinth  
suits Trimline 90E/140E



# Shelves and trims

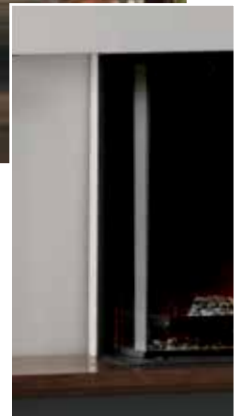
Design a unique fireplace with this new range, which offers the ultimate flexible approach by letting you build your fireplace the way you want to.

*Combine and design.*



## Malmo bench with mini white trims

Our smallest trims available in the range are the perfect addition to create a contemporary feel.



Semper shelf with midi grey trims

The midi trim is not too small but most certainly not too big. This trim will finish your design the way you want. Available in two colors, white and grey.



Semper shelf with maxi white trims

These maxi trims are the widest available and work in perfect combination with the white Semper shelf and Tempus bench.





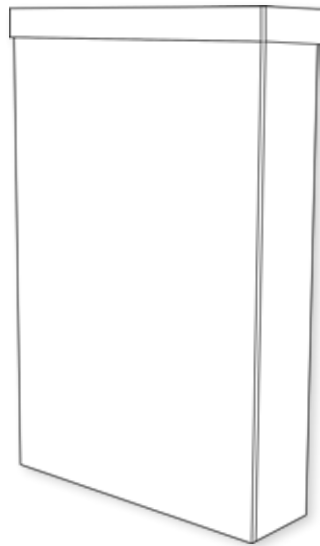


# Fabricated chimney breast kit

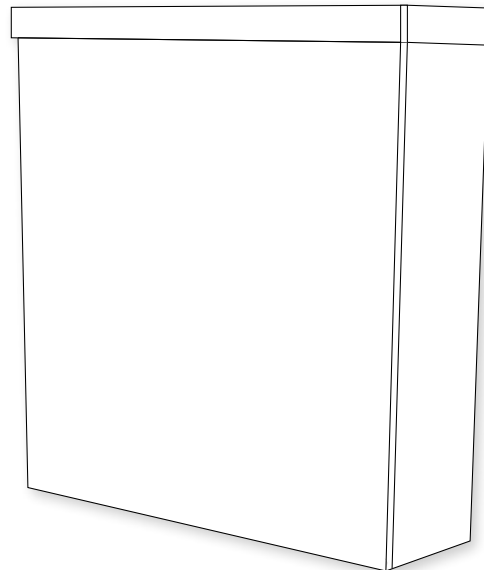
Designed exclusively to fit our Trimline 90E and Trimline 140E Electric fires, our new chimney breast kit offers a quick and simple solution to create a Scandinavian style, floating chimney breast. All you need are some basic DIY skills and a wall! The kit comes complete with ready-to-assemble panels and fixings, along with a handy fitting guide to show you how to install in your home. All parts are produced using state of the art machinery to ensure accuracy and quality, and the build concept has been cleverly designed to make installation as simple as possible.

Manufactured from the highest quality particle board, covered with decorative paper and impregnated with resin, the chimney breast comes ready to install in a satin white finish but if required, can be painted to suit your own particular taste.

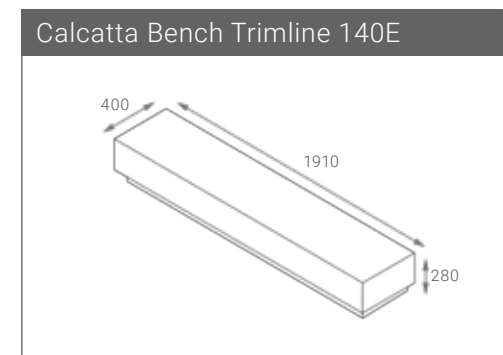
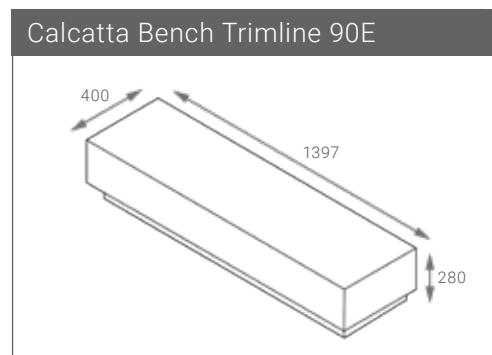
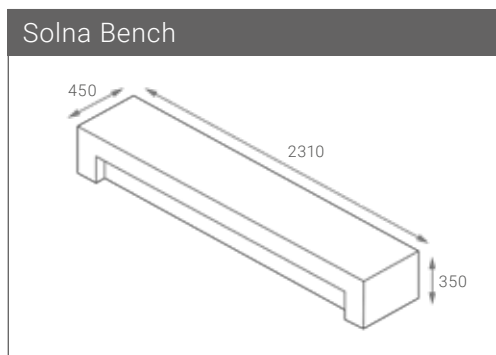
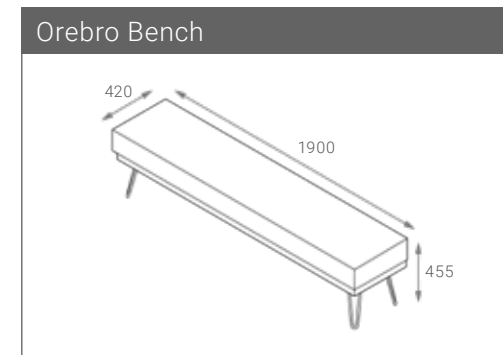
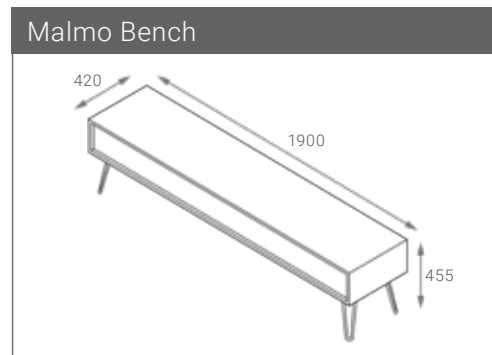
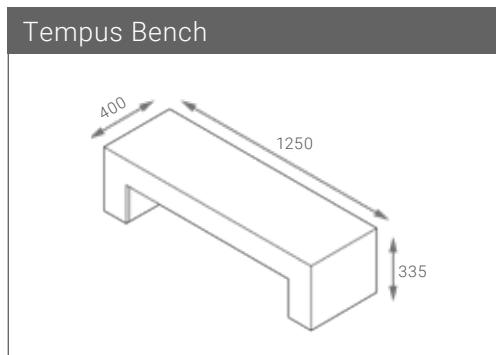
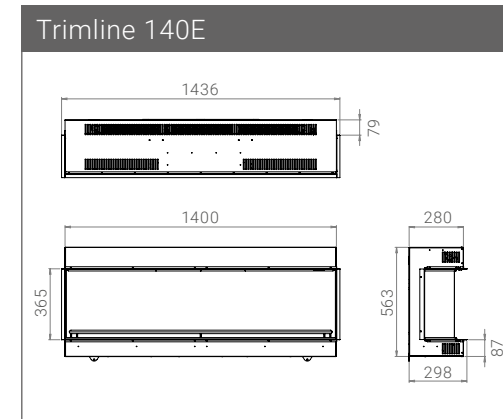
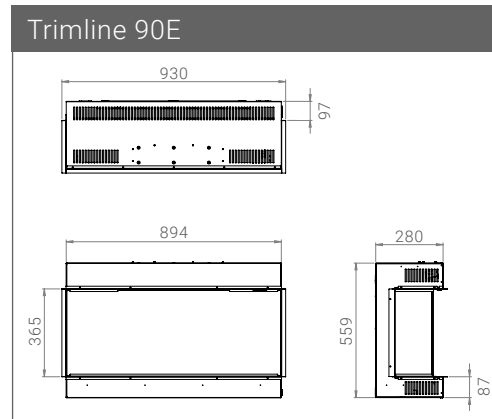
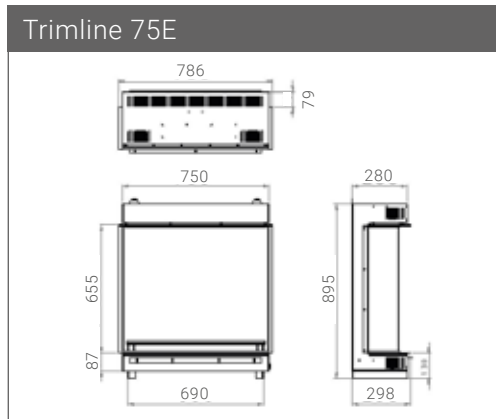
To suit Trimline 90E



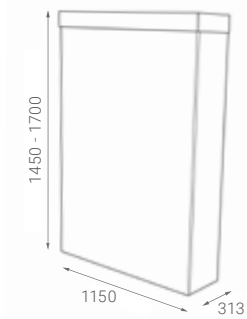
To suit Trimline 140E



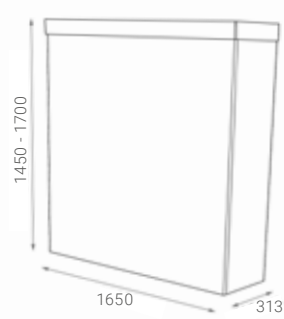
# Product dimensions



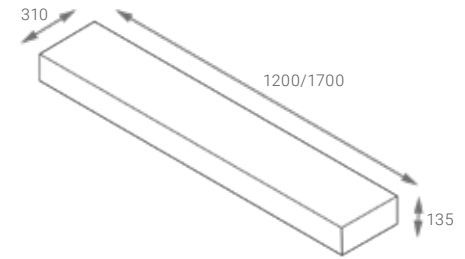
Trimline 90E Chimney breast kit



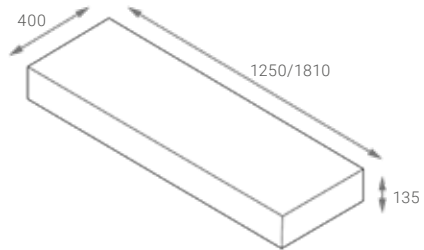
Trimline 140E Chimney breast kit



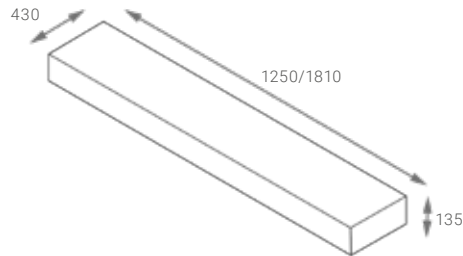
Semper Shelf Trimline 90E/140E



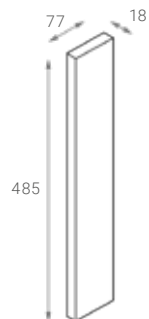
Omnia Plinth Trimline 90E/140E



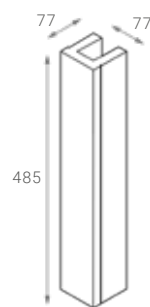
Omnia Veritas Plinth Trimline 90E/140E



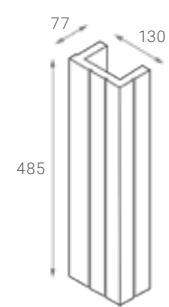
Mini Trims



Midi Trims



Maxi Trims\*



\* Not suitable for use on 140 in combination with chimney breast kit.



# Trimline Fires fireplaces Europe



Trimline Fires fireplaces warm hearts and homes across Europe

All over Europe, Trimline Fires' fireplaces warm hearts and homes alike, from the rugged fjords of Norway to the icy peaks of the Alps in France – and, of course, in our own beloved Netherlands.

Trimline Fires is powered by thermoCet International B.V.

Laagerfseweg 31  
3931 PC Woudenberg  
The Netherlands  
+31-(0)23-5833050  
info@trimlinefires.com

# Let's keep in touch

*If you have any questions please contact us any time!*



FACEBOOK ACCOUNT  
[@trimlinefires](https://www.facebook.com/trimlinefires)



INSTAGRAM ACCOUNT  
[@trimline\\_fires](https://www.instagram.com/trimline_fires)



PINTEREST ACCOUNT  
[trimlinefires](https://www.pinterest.com/trimlinefires)



YOUTUBE ACCOUNT  
[Trimline Fires](https://www.youtube.com/TrimlineFires)



OUR WEBSITE  
[www.trimlinefires.com](http://www.trimlinefires.com)



[www.trimlinefires.com](http://www.trimlinefires.com)



### **Best looking fire**

State-of-the-art technical ingenuity of Trimline Fires creates the ultimate cosy fire for you.



### **Customize it**

Your fireplace, your style. Combine all your favourite optionals to create the ultimate feeling of home.



### **Controllability**

Create ultimate comfort. You decide yourself what the fire in your home will look like.



### **High Quality product**

We do everything in-house, from R&D to manufacturing, creating fireplaces that last a lifetime.

[www.trimlinefires.com](http://www.trimlinefires.com)