

RONDO

ETHANOL BURNER

Commerce Technology®

INSERT TO BUILD-IN

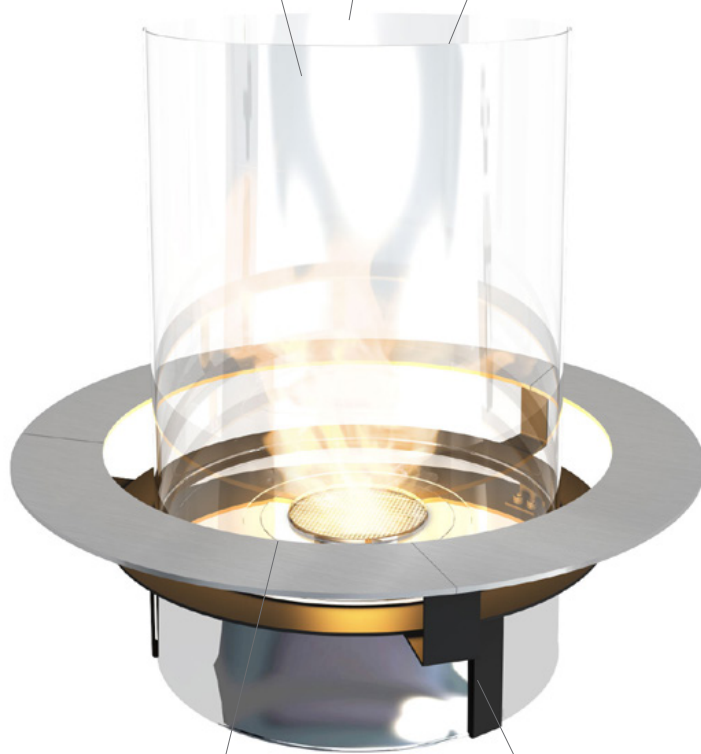
Rondo is a modern modern ethanol burner dedicated for custom installations. No hard connections and compact size make it extremely easy to arrange in different kinds of housings.

COMMERCE TECHNOLOGY®

Planika developed a uniquely safe Commerce Technology®, which is based on highly absorbent ceramic fibers. If you accidentally tilt the fireplace, the fuel will remain inside the burner.

GLASS CYLINDER

This durable glass cylinder protects the flame from any air blows, making it stable at all times.



CLEAN & EFFICIENT FIRE

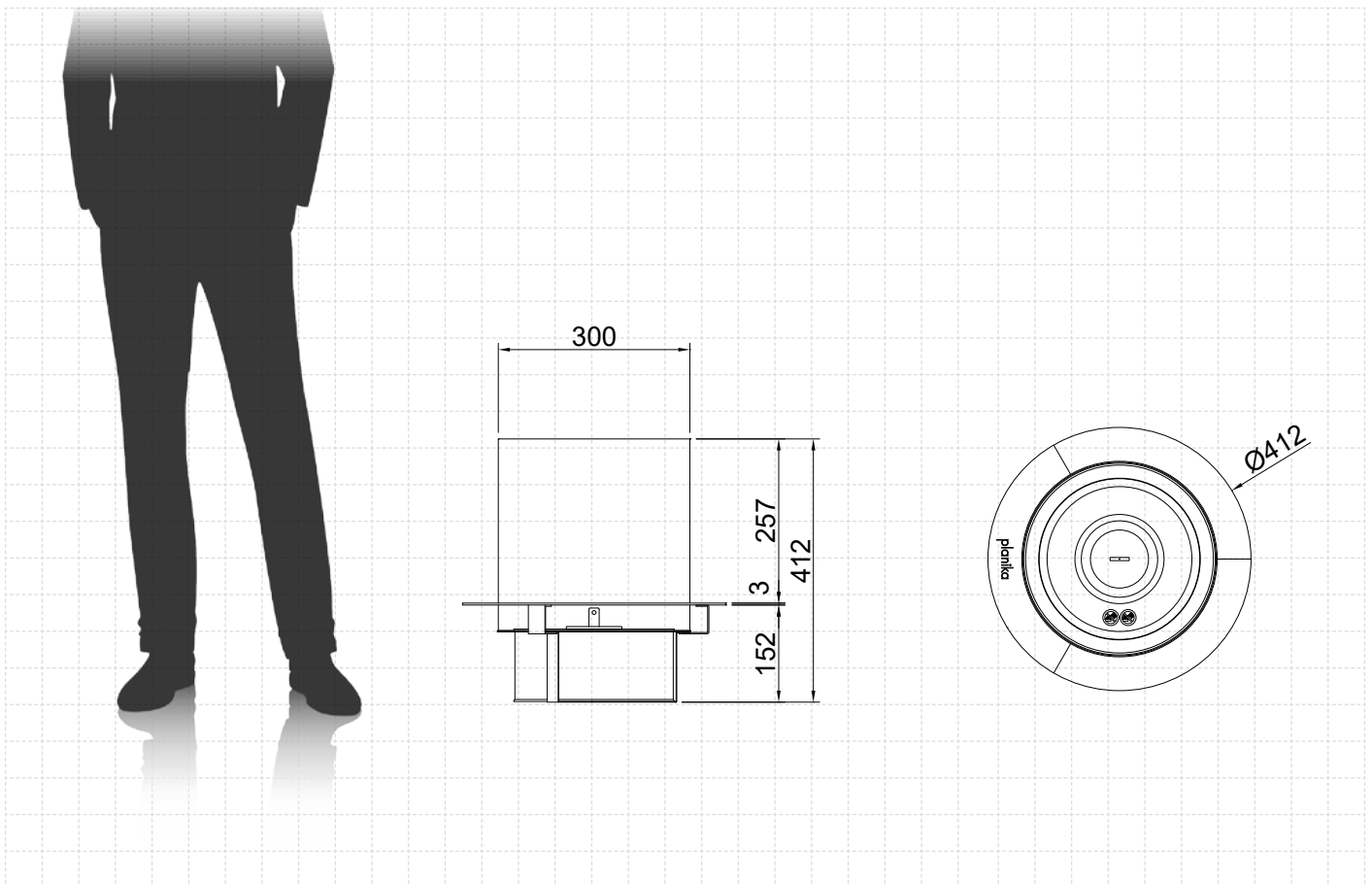
The fireplace utilizes bioethanol, the green source of energy. It produces fire that is rich in colour and doesn't emit any smoke.

BEST BUILD QUALITY

The product is built to the highest quality standards. Made of best materials and components, it is always safe and reliable.

Rondo (Commerce Technology®)

Fuel tank capacity	3.0 L
Maximum burn time	7.0 hours
Maximum heat output	2.5 kW
Minimum room cubature	25 m ³
Weight	7.0 kg
Fuel type	bioethanol 95 - 96,6%
Flue	not required
Air change rate	1 space volume per hour (indoor)
Finish	brushed stainless steel
Materials	stainless steel, glass
Application	for indoor and outdoor use



All product specifications and data are subject to change without notice and are believed to be accurate as of the date hereof. Planika Sp. z o.o., its affiliates, agents, and employees, and all persons acting on its or their behalf (collectively, "Planika Sp. z o.o."), disclaim any and all liability for any errors, inaccuracies or incompleteness contained in any document or in any other disclosure relating to any product. To the maximum extent permitted by applicable law, Planika Sp. z o.o. disclaims any and all liability arising out of the application or use of any product. This document does not expand or otherwise modify Planika Sp. z o.o.'s terms and conditions of purchase, including but not limited to the warranty expressed therein. No license, express or implied, by estoppel or otherwise, to any intellectual property rights is granted by this document or by any conduct of Planika Sp. z o.o.. Customers using or selling Planika Sp. z o.o.'s products not expressly indicated for use in such applications do so entirely at their own risk and agree to fully indemnify Planika Sp. z o.o. for any damages arising or resulting from such use or sale. The images are indicative only.