



Trimline 83 Room Divider DB 1184

Trimline 83 Tunnel DB 1185

## INSTALLATION INSTRUCTIONS

# CONTENTS

1	INSTALLATION INSTRUCTIONS.....	3
1.1	General instructions.....	3
2	PLACING THE APPLIANCE.....	3
2.1	Connection the gas lines.....	3
2.2	Preparation and installation.....	3
2.3	Installing gas control GV60.....	4
2.4	Installation methods.....	5
3	INSTALLATION OF THE OPTIONAL HIGH-GLOSS BLACK GLASS OR GROOVED WALLSET ...	6
3.1	Installation instructions for optional high-gloss black glass.....	6
3.2	Installation instructions for the grooved wall set.....	6
4	PLACING THE OPTIONAL LED GLOWBED UNIT.....	7
5	PLACEMENT OF THE CERAMIC LOG SET.....	8
5.1	Remove and install glass panes.....	8
6	TECHNICAL DETAILS GV60.....	10
7	INSTRUCTIONS FOR MERTIK MAXITROL GV60 GASCONTROL.....	12
8	GAS TECHNICAL DATA.....	13
9	CONCENTRIC CHIMNEY LAY OUT.....	15
10	CONCENTRIC FLUE SYSTEM.....	16
10.1	Components of the concentric flue system.....	16
10.2	Construction of concentric flue system.....	16
10.3	Installation instructions regarding existing flues.....	16
10.4	Parts.....	17
10.5	Installation.....	17
11	TERMINAL POSITIONS AND CORRECT FUNCTIONING.....	18
12	CLEANING AND MAINTENANCE.....	19
13	QUICK REFERENCE GUIDE FOR FAULTSSEARCH FOR ENCLOSED GAS FIRES USING MERTIK GV60 GASCONTROL.....	20
Appendix 1	DIMENSIONAL DRAWINGS.....	22
Appendix 2	BUILT-IN EXAMPLES.....	24
Appendix 3	INSTALLATION EXAMPLES REGARDING FLUES.....	28
Appendix 4	PREPARATION AND INSTALLATION.....	29
Appendix 5	PREPARING GAS CASSETTE GV60 FOR INSTALLATION.....	30
Appendix 6	PLACING THE OPTIONAL LED GLOWBED UNIT.....	32
Appendix 7	FITTING LOG SET.....	35
Appendix 8	FIGURES PLACING OR REMOVING GLASS PANES.....	37
Appendix 9	EXPLODED VIEW AND SPARE PARTS.....	39

thermoCet International B.V.  
 Laagerfseweg 31  
 3931 PC Woudenberg  
 The Netherlands  
[www.trimlinefires.com](http://www.trimlinefires.com).



# 1 INSTALLATION INSTRUCTIONS

## NOTICE

The installation should be performed only by an authorized gasfitter

## 1.1 General instructions

- The gas fireplace must be installed, connected and inspected as a balanced flue fire by a qualified fitter, according to national, regional, and local standards and regulations.
- The flue system and the terminals in the outer wall or roof face must also meet the requirements outlined in the applicable standards and regulations.
- The temperature of the walls and shelves near the side and back of the unit may not be more than 80 K higher than the temperature of the environment. For example, ambient temperature 20 °C plus 80 K gives a maximum temperature of 100 °C.
- The unit has been approved in combination with the concentric flue system THC/Holetherm CC Ø100/Ø150mm or Ø130mm/Ø200mm in accordance with European CE standards for gas units and may therefore only be applied with this system.
- The product needs to be serviced and inspected by the fitter for local gas distribution as indicated on the identification plate.
- The instructions are only applicable if the relevant country code is stated on the unit. If this is not the case, the gas technical information for the relevant country needs to be consulted and modifications discussed with the manufacturer.
- There will be air in the gas pipes when the unit is first used. The gas pipes therefore need to be purged first.
- Ignite the fire without a window for the first time.
- Ignite the fire according to operating instructions and check whether the burner flame is uniform. After the unit has been used for the first time, you should remove any deposits resulting from running/burning in the paint, using a glass cleaner for heaters.

## NOTICE

Cleaning AR glass see chapter 12 *cleaning and maintenance*.

## Distance to flammable materials

With respect to the front, side and top of the unit, a distance of 1000mm needs to be kept between the unit and: curtains, floor covering, upholstery and fabrics, and/or other flammable material unless stated otherwise in these instructions.

## Distance to non-flammable materials

The unit needs to be placed a minimum distance of 25mm from the wall unless stated otherwise in these instructions.

## WARNING

- Gas fires become hot when in use. After installation of the Gas fire, the glass surface must be considered as active zone. The glass surface may be very hot.
- Care should be taken and measures introduced to protect children and vulnerable persons when the appliance is in operation, specifically in relation to the immediate burning area of the glass. It is forbidden to place any flammable materials up against the glass at any time (cushions, curtains and fabric blankets but not limited to).
- Never install the unit against or within a flammable wall.

## NOTICE

- Construction material for fireplaces and mantles etc. or built-in situation, must be made of non-combustible material. This also applies to floors and ceilings. Never use flammable materials near the unit in compliance with the above requirements.
- If in doubt, consult your dealer.

# 2 PLACING THE APPLIANCE

## NOTICE

Before installing the device it is recommended to first read Chapter 10 *Concentric flue system*.

## 2.1 Connection the gas lines

You can determine where the gas pipes will be placed, depending on the positioning of the appliance. Ensure control equipment is not twisted during installation and there is no excessive tension.

Accessibility of various connection points in relation to components need to be maintained. After installation, check the connections for gas leakage. Use a 3/8" gas tap in the main gas supply. Ensure the gas pipes are dirt-and sand-free. The gas connection should only be done without any excessive tension in the tubes etc. This prevents any damage occurring to the gas control equipment.

## 2.2 Preparation and installation

### APPENDIX 4

- Remove the packaging and check the unit for possible damage.
- The packaging contains the following components:
  - Unit
  - Remote control
  - Log set
  - 4 x AA battery
  - 2 x AAA battery
  - Installation manual
  - User manual
  - Restriction
  - Suction cup
  - Lifting brackets
  - Adjustable feet
  - Finishing plates
  - Built-in cassette with door
  - 2 Convection grilles

First check everything is undamaged and complete before removing the unit from the packaging. If there are defects, please report this to your purchase address in advance. After reading and understanding the installation manual, you can start the installation.

#### NOTICE

Place the unit on a stable surface.

See pictures in [APPENDIX 4](#).

- Do not place the unit on its back or side.
- Check the glass panes for damage. Notify supplier if there is any damage.
- Put the unit in its place.
- A glass pane must now be removed in order to remove the added parts from the unit.
- Remove the glass panes according to Paragraph *5.1 Install and remove glass panes*.
- When temporarily removing the glass panes, it is important not to damage the glass.
- Access to the unit is possible after removing the glass pane.
- Take out the packaged materials. And check for defects. Notify supplier if there is any damage.
- Place the unit in the place you have decided to install it. [APPENDIX 2](#)
- The unit is put in place and fixed to the wall with the adjustable legs and the wall mount supplied. The adjustable feet can be adjusted within a minimum or maximum range. [APPENDIX 1](#)
- Install the gas cassette in the place you have decided to install it after you have installed the gas control valve GV60, see Paragraph *2.3 Installation of gas control GV60*.
- The distance between the gas control and the unit is determined by the cable lengths from the gas control to the burner, etc. This is to be no more than 1200mm. In combination with LED it is 1000 mm.
- A restriction plate for the drain must be mounted in the drain 7, which is behind the baffle plate. Remove and install the baffle plate and restriction plate. [APPENDIX 4](#) For the applications, see Chapter *9 Concentric Chimney Lay-out*.
- Position the supplied exhaust grilles at least 500mm below the ceiling of the room [Appendix 2](#). If the space between the exhaust grille and the top of the ceiling in the chimney is very high, it is recommended that a false ceiling of refractory material be installed in the chimney.

#### NOTICE

Temperature of the exhaust grilles could reach over 100°C. Caution is therefore needed.

## 2.3 Installing gas control GV60

### [APPENDIX 5](#)

The complete gas control is mounted under the gas fireplace. In a protective bracket that can be removed for insertion into the gas cassette.

When installing the fireplace in combination with a wall bracket (floating platform), the gas control can be mounted under the fireplace. If desired, an optional bracket is available that makes the control slightly more compact.

#### NOTICE

In all other situations, the gas control valve including the receiver must be installed in the gas cassette by the installer.

The step-by-step procedure is below:

The unit is in place including a mounted flue according to Chapter *9 Concentric Chimney Lay-out*.

- Remove the protective bracket under the unit with gas control and place it in the gas cassette.
- Think of the power supply such as the batteries and/or adapter in combination with the LED module.
- If cable-ties hold cables together, they will have to be disconnected.
- There is a wing nut in the gas cassette, loosen it and carefully place the protective bracket with gas control in the gas cassette. The gas connection can then be completed in accordance with local laws and regulations.
- Keep in mind that the gas control must remain accessible for service and maintenance.
- The distance of the gas cassette is limited to the range of the cable lengths.
- In combination with the LED module, it is not possible to extend the thermocouple.
- Now that the gas has been connected and checked, ignite the unit for the first time **WITHOUT GLASS PANE**.
- The gas connections can then be checked for leaks. Everything ok, then the unit can be turned off.
- Look in Chapter *9 Concentric Chimney Lay-out*.
- This explains whether or not restrictions are required.
- The baffle plate can be removed by loosening a parker. It can then be removed with a tilting movement. If the baffle remains and then the baffle can be pushed aside, there is access to place the restriction.
- In some situations, it is necessary to place a restriction in the supply. See Chapter *9 Concentric Chimney Lay-out* and [appendix 1](#).
- If this is OK, put the ceramic blocks in place. [APPENDIX 7](#)
- Ignite the unit again without glass and check there are no glow materials against the burner ports and that the pilot light is not blocked.
- If everything is OK, replace the glass according to *5.1 Install and remove glass panes*.
- Switch on the fireplace and check the flame and its operation.
- Ignite the unit and burn it for at least 15 minutes. Check that the unit ignites without any problems and that the flames burn correctly.





#### NOTICE

If something is not right, check the restrictions and baffle together with the chimney lay-out and the gas pressures. Ensure the pipes, ignition cable and thermocouple are fitted without placing strain on them and without sharp bends, these should be avoided at all times. Make sure the spark plug wire is free from metal parts. Check the operation of the unit before continuing assembly. [APPENDIX 7](#)

#### NOTICE

In certain exhaust routes, the baffle plate is not replaced, see Chapter 9 *Concentric Chimney Lay-out*.

## 2.4 Installation methods

[APPENDIX 4](#)    

Depending on the desired set-up, you can decide to work with a wide decorative trims or just to connect the plateau almost directly to the glass panes of the appliance.

### Applying the wide decorative frame to the room divider and tunnel equipment. [APPENDIX 2](#)

- The standing decorative frames have an adjustable magnet attachment at the bottom. Pull it forwards and remove it from behind the hook construction at the top of the unit.
- Push the lower decorative frame forward and then remove it.
- The unit can be built in, taking into account the correct built-in materials (FIRE-FREE/INFLAMMABLE).
- Adjust the dimensions of the conversion in such a way that the wide decorative frames can be placed back on the fireplace without any problems.
- Keep in mind that the fireplace will get warm and will therefore expand. If the installation is too tight, this may cause sounds.

- And the construction will come under load, which could cause damage.
- After finishing (eg ornamental plaster or glass fiber wallpaper) of the surround, the trims can be put back again.





#### NOTICE


Temperature of the exhaust grilles could reach over 100°C. Caution is therefore needed.

#### NOTICE

Thickness of finish in such a way that the trims can be placed back on the device.




### Work with the Plateau directly on glass panes

[APPENDIX 4](#)    

- The plateau finish can be finished almost against the glass pane, see the orange dotted line. 
- Plateau materials must always be non-combustible!

#### NOTICE

The trim inserts with springs should always remain removable!

- Set profiles are provided on the underside of the device, which can serve as a boundary for the plateau material. These slidable profiles are adjustable in height   , sizes 20-30mm are indicative of the plateau thickness.
- The applied plateau material MAY NOT COMPLETELY SUPPORT these set profiles, the gas fire will become hot and may expand with cracking of the plateau material as a result.
- The thickness of the platform must not exceed the trim inserts with springs, glass must remain removable!

### 3 INSTALLATION OF THE OPTIONAL HIGH-GLOSS BLACK GLASS OR GROOVED WALLSET

#### NOTICE

If you have opted for a high-gloss black glass, grooved pattern, you must first assemble it before you put the wood set in place.

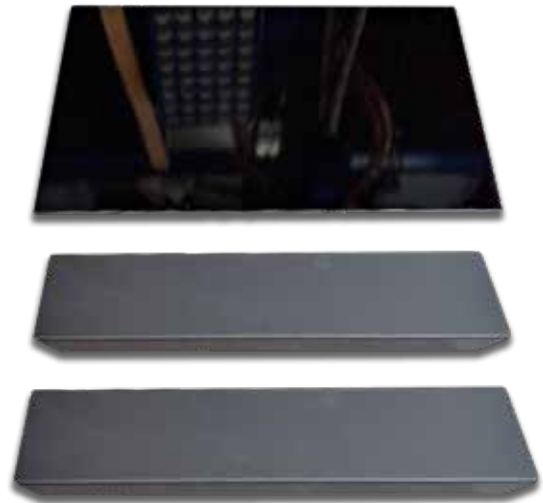
#### 3.1 Installation instructions for optional high-gloss black glass

##### APPENDIX 9

- Remove the wide decorative frames and remove the glass pane. APPENDIX 8 2
- Take out the baffle plate. APPENDIX 4 2 (white arrows)
- Remove the support from the steel panel rear wall. APPENDIX 4 3
- Tilt the steel panel rear wall forward to take it out. APPENDIX 4 1
- Install the two supplied metal profiles. These fill the depth and support the black high-gloss glass. A
- Place the black glass against the metal profiles. B  
Mount the bracket back in place. 3

#### 3.2 Installation instructions for the grooved wall set

For a grooved panel, assembly is done the same way, without putting the metal profiles in place



High-gloss black glass and 2 metal supports.





## 4 PLACING THE OPTIONAL LED GLOWBED UNIT

Installation instructions optional LED glowbed unit [APPENDIX 6](#).

The LED Glowbed **1** unit consists of:

- A** Glassholders
- B** Glass pane (Smooth gloss side upwards)
- C** Complete LED unit, including power adapter.

- When using the LED unit a 230VAC mains powersupply needs to be provided underneath the appliance.
- Remove the wide frames and disassemble the side glass pane. (See figure A)
- Placing the supplied suction cup in the middle of the glass pane makes it easy to remove the pane from the appliance by first carefully moving it upwards and then pulling the bottom of the pane very carefully and slowly towards you and to be placed in a safe place where the glass can not break or damage [APPENDIX 4](#) **3** **4**. If the disassembled glass pane is damaged (scratches and/or damaged edges) do not use the glass pane and warn the supplier.
- Remove the burners **2** **A** and decoration plate **2** **B** from the appliance **2**. The decoration plate is equipped with retractable lifting brackets.
- Remove the central sealing plate **3** **4**, a recess now forms in the bottom of the fireplace.
- Take the LED unit out of the packaging and guide the cable through the recess and place the LED unit correctly (LED strip from LEFT to RIGHT) in the recess **5** **6**.

- Place the glass pane belonging to the LED module with the smooth gloss side up on top of the gasket and check for good seals. **7**
- Mount the glassholder beads on the LED unit **8** and tighten the screws (not too tight in case of glass breakage).
- Connect the cable to the receiverbox **9** and connect the adapter to the 230Vac mains and automatic Burner control connection and check that the LED unit is functioning **10** (see operating instructions for the device).
- Put the decoration plate and burners back on the correct position, check if the burnerseals are in good condition and burners are 100% gastight.
- Place the wood decoration set in the appliance see [APPENDIX 7](#).

### **⚠ WARNING**

The LED module cable must NOT TOUCH the ignition cable. Beware of this during installation and after maintenance.



Ignition cable      LED module cable



LED module cable      Ignition cable



LED module cable      Ignition cable

## 5 PLACEMENT OF THE CERAMIC LOG SET

Placement of the ceramic log set [APPENDIX 7](#).

- Standard all burners are mounted **1** and the perforated decoration plate is placed.
- For the easier removal of the decoration plate there are 2 integrated lifting brackets with which the entire plate including glass/glow material can be removed after the burners have been removed.
- Spread the glass beads evenly over the central part of the perforated decoration plate **2**. If an LED glow bed module is used, check whether there is a direct view on the LEDs (light leakage). Keep the decorative plate at the foot of the 2 standing burners free of glass granules! Make sure that NO glass granules fall into the pilot light and also the burner ports of the central burner must be kept free!
- Take the right burner right out of the appliance **3**. Ensure that the seal gasket remains intact and that there are NO glass beads in the burner opening.
- Place the central log **4** **A** correctly on the centre burner. Pay attention to the correct location and stress-free fit. The burner ports must be free for the gas to flow freely.
- Mount the right burner **5**, pay attention to clean gasket and good seal.
- Place both logs marked with **B** and **C** in the burn cut on both rear and front burner **6** **7**.
- Pay attention to correct location of the left and right burner/log and tension-free fit.

**Check that the burner openings on the front and rear remain open so that gas can flow freely.**

### NOTE

When installing the log and the various glowing materials and accessories, the following must be taken into account:

- A No glowing material in or on the pilot burner.
- B Prevent that ceramic material falls on the glass seals. Remove this if necessary. The window can be damaged.

- Place the 2 charcoal log parts **D** and **E** against the front and rear burner feet **7** **8** **9**. Angled carbon parts pointing upwards.

**Note that burner openings are free so that gas can flow out well. The flames must not touch the charred logs!**

- Place the outer logs **F** **B**, partly on the central log. Flames must not touch this trunk!
- Spread the coal chips/charcoals evenly on the left and right sides and partly on the glass grain bed.

**The coal chips/charcoals must not touch the central burner/wood block!**

If desired, the coal chips can be broken into smaller parts. When using the optional LED glow bed, the light transparency can also be influenced by means of the coal chips.

- If desired, the glow wool can be laid along the burner openings of the central log, pull the wires apart and ensure that the gas can flow out properly.
- Before replacing the windows make sure if there must be a restriction plate to be placed or not. See chapter 9 *Concentric chimney lay out*.

### NOTICE

Make sure the pilot light remains unobstructed from any material.

- If there is a restriction required for your situation, remove the baffle plate by unscrewing it from the front of the plate and move the plate backwards and then out. [APPENDIX 4](#) **6**
- Now install the restriction plate with two screws and replace the baffle plate. [APPENDIX 4](#) **6**
- Light the fire and check that the pilot flame and burners ignite smoothly and that the flame spreads evenly along the logs. If this is not the case, the position of the logs must be checked or adjusted.

### NOTICE

The baffle plate is not replaced in certain flues routes, see chapter 9 *Concentric chimney lay out*.

## 5.1 Remove and install glass panes

[APPENDIX 8](#)

### LET OP

- When putting the glass panes in place, there is a risk of breakage if you act carelessly.
- The smallest glass pane does not have to be disassembled to remove the side glass pane.
- Always check the seals are complete, intact and clean when installing the glass panes. If a defect is found, the gasket will have to be replaced.

## Room Divider [APPENDIX 8](#) **1** **2** **3** **4** **5** **6**

### Smallest glass pane

- Remove the lower strip, upwards. There is a small hole to use a tool such as a thin screwdriver to lift the strip up.
- At the top is a strip with holes, it slides sideways and then down to take out the strip.
- Slide the glass pane up using the supplied suction cup, and pull the bottom towards you to slowly remove the glass pane.
- The glass pane can be replaced in reverse order.
- Put the decorative frame in place.
- Check again whether the fireplace ignites properly.

### Side glass pane

Proceed as follows when removing the side glass pane:

- Remove the wide frames. [APPENDIX 8](#) **1**
- Remove the wide frames.
- The side glass pane: on the back of the fireplace is a strip with springs that press against the glass.
- This strip can be pulled towards you for disassembly.
- On the back is a strip with an Allen screw. Loosen these Allen screws so the tension is released from the spring.
- Then take out the lower strip, moving it upwards. There is a small hole to use a tool such as a thin screwdriver to lift the strip up.
- At the top is a strip with holes, it slides sideways and then down to take out the strip.



- Slide the glass pane up using the supplied suction cup, and pull the bottom towards you to slowly remove the glass pane.
- The glass pane can be replaced in reverse order.
- Remember to put the springs that push on the back of the glass under tension so that there is less chance of the glass creeping. The smallest glass pane is then already mounted.

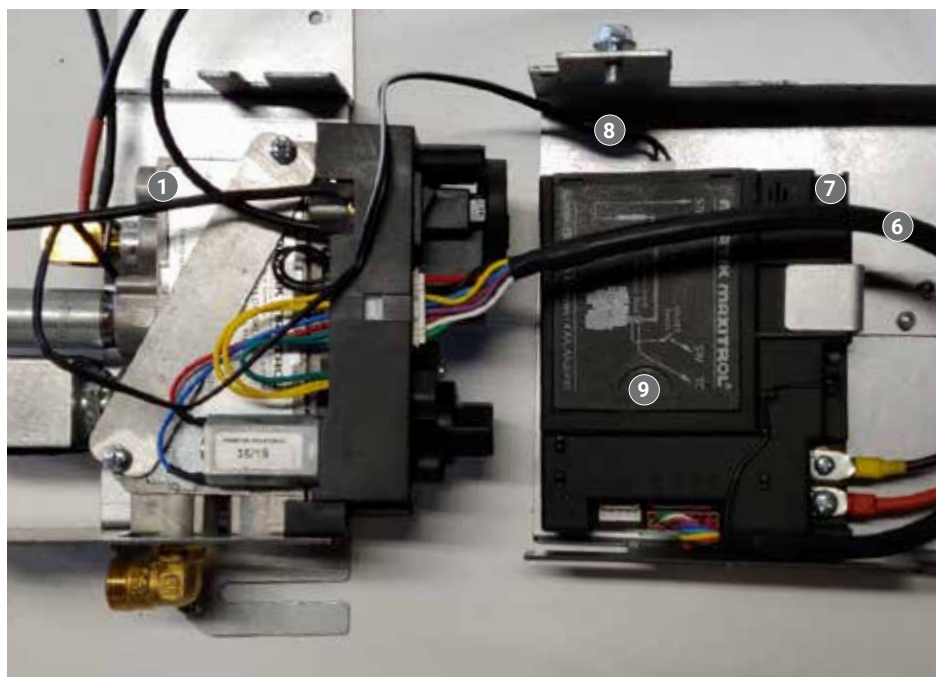
## Tunnel **APPENDIX 8** 7 8 9 10 11 12

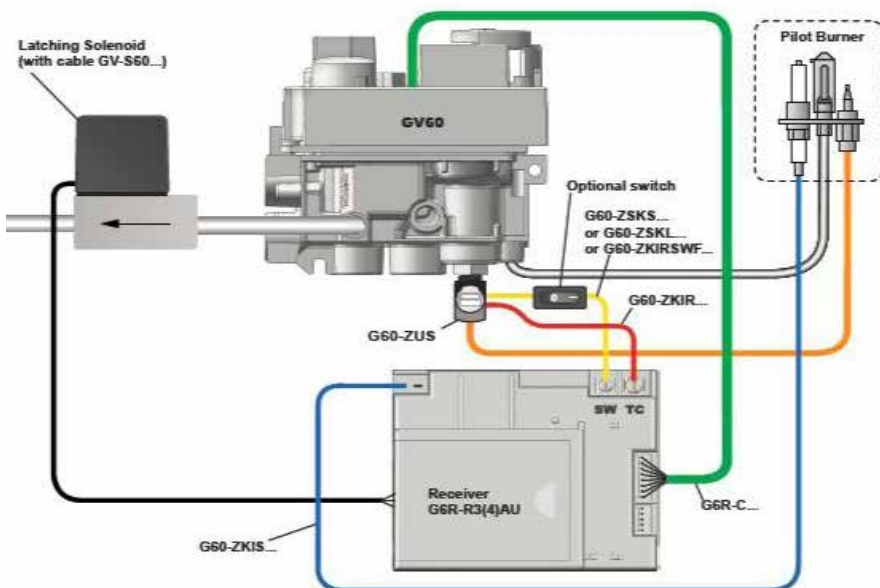
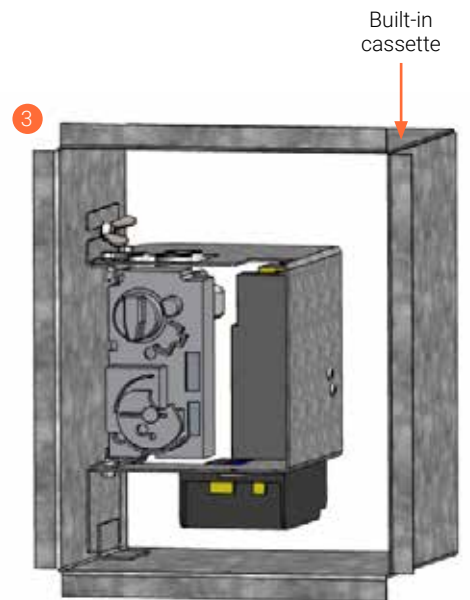
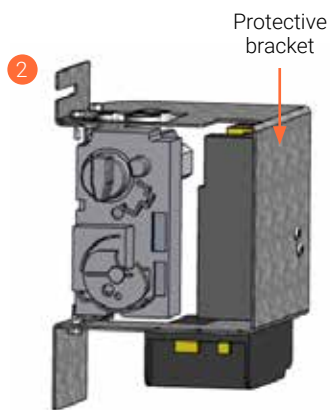
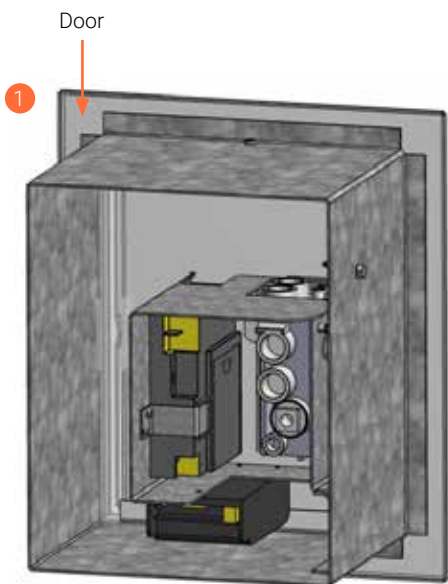
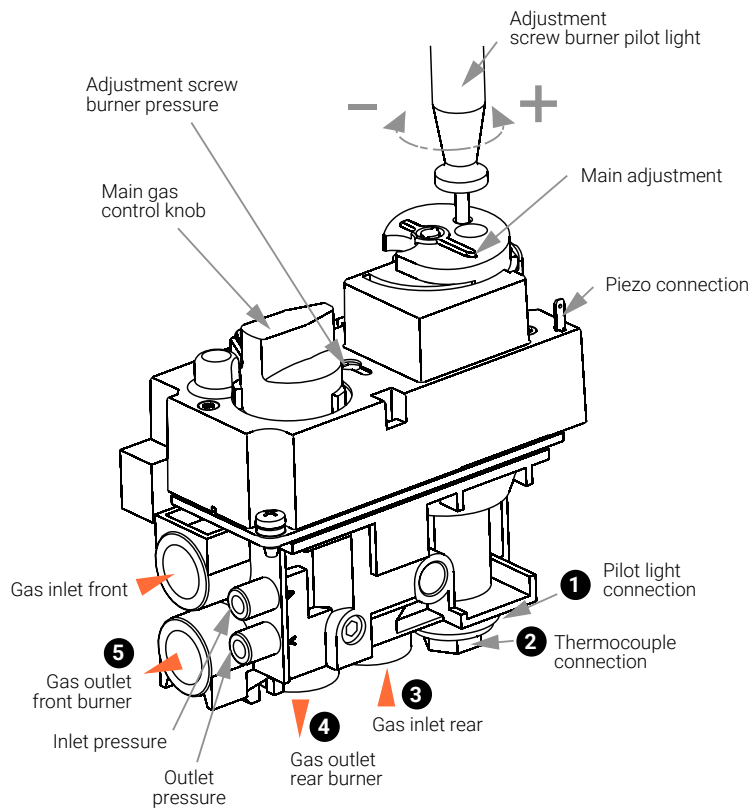
Disassemble the glazing bars:

- Remove the wide frames. **APPENDIX 8** 7
- The side glazing bar can be disassembled with the quick-release fasteners.
- The top and bottom glazing bars come out in the same way as the Room Divider.
- Then take out the lower strip, moving it upwards. There is a small hole to use a tool such as a thin screwdriver to lift the strip up.
- At the top is a strip with holes, it slides sideways and then down to take out the strip.
- Slide the glass pane up using the supplied suction cup, and pull the bottom towards you to slowly remove the glass pane.
- The glass pane can be replaced in reverse order.
- Remember to put the springs that push on the back of the glass under tension so that there is less chance of the glass creeping. The smallest glass pane is then already mounted.

## 6 TECHNICAL DETAILS GV60

<b>Gas valve type</b>	Mertik GV60		
<b>Burner control</b>	B6R R8U (WiFi-Ready)		
<b>Ignition</b>	Remote control operation and piezo ignition		
<b>Gas connection</b>	<table style="width: 100%; border: none;"> <tr> <td style="width: 50%; border: none;"> <ul style="list-style-type: none"> <li>❶ Pilot flame pipe</li> <li>❷ Thermocouple</li> <li>❸ Gas inlet 3/8" externally</li> <li>❹ Rear burner/outer burner gas outlet</li> <li>❺ Front/centre burner gas outlet</li> </ul> </td> <td style="width: 50%; border: none;"> <ul style="list-style-type: none"> <li>❻ Multi-cable</li> <li>❼ Ignition cable connection point</li> <li>❽ Double burner connector</li> <li>❾ Burner control</li> </ul> </td> </tr> </table>	<ul style="list-style-type: none"> <li>❶ Pilot flame pipe</li> <li>❷ Thermocouple</li> <li>❸ Gas inlet 3/8" externally</li> <li>❹ Rear burner/outer burner gas outlet</li> <li>❺ Front/centre burner gas outlet</li> </ul>	<ul style="list-style-type: none"> <li>❻ Multi-cable</li> <li>❼ Ignition cable connection point</li> <li>❽ Double burner connector</li> <li>❾ Burner control</li> </ul>
<ul style="list-style-type: none"> <li>❶ Pilot flame pipe</li> <li>❷ Thermocouple</li> <li>❸ Gas inlet 3/8" externally</li> <li>❹ Rear burner/outer burner gas outlet</li> <li>❺ Front/centre burner gas outlet</li> </ul>	<ul style="list-style-type: none"> <li>❻ Multi-cable</li> <li>❼ Ignition cable connection point</li> <li>❽ Double burner connector</li> <li>❾ Burner control</li> </ul>		
<b>Unit category</b>	C11-C31-C91		
<b>Pilot flame</b>	SIT 3 flames		
<b>Security</b>	Thermocouple principle		





**⚠ WARNING**  
Sealed parts must not be adjusted.

## 7 INSTRUCTIONS FOR MERTIK MAXITROL GV60 GASCONTROL

### ⚠ WARNING

It is forbidden to start up the unit if window(s) is not present or broken!

Ensure that the fuel supplied to the unit is clean and free from particles and moisture

Before a gas supply pipe (new or existing) is connected to the main gas pipe at the gas meter and to the gas control block of the unit, clean and dry compressed air should be blown through it. Cut copper pipes as well as aluminium pilot pipes must be deburred and blown clean before they are connected. The dust filter at the connection to the gas control block will only filter out the coarsest dirt from the system. Fine particles are still able to reach the inside and may damage and/or adversely affect regulation in the gas control block .

### Heat, moisture and dust are a threat to all electronic components

Protect the electronic gas control until all construction, plastering and paintwork has been completed.

If such work cannot be avoided, then protect the control against dirt and moisture penetration by using, for example, plastic film.

### ⚠ WARNING

Electronic components will become permanently faulty when exposed to temperatures higher than 60°C. Standard AA batteries will crack open at temperatures >54°C and the battery contents will damage the electronic switches located underneath. Batteries last longest at <25°C. At >50°C the life span is around 23 weeks.

### Only install the gas control block and receiver as pre-installed at the factory.

Remember that components may have to be replaced or that repairs may have to be performed at a later date. This may be more difficult if the control is installed using a method that is different from the instructions provided here.

### Only place the batteries AFTER WIRING to the receiver, gas control block and pilot set is connected.

Premature connection to the energy source may damage the control's CPU (central processor). Inserting the batteries is not permitted with the optional LED module. Use the power adapter that is supplied with the LED module.

### 👉 NOTICE

No batteries may be placed in the receiver when using the LED module.

### Ensure that the ignition cable is not near the antenna wire and that they do not cross each other.

The high voltage released at ignition may damage the sensitive receiver circuit. This may mean that the unit becomes less responsive or not responsive at all to handset commands.

### 👉 NOTICE

- Do not tighten the contact breaker and the thermocouple connection too tightly on the gas control block or to each other.
- It is sufficient to tighten by hand and add a half a turn with an open-end spanner. Tightening too much will break the connection to the magnetic coil below and/or the insulation around the aluminium contact pin in the contact breaker. This may lead to the magnetic coil not opening the gas supply to the pilot and the unit not working.

Extend the supplied thermocouple with just the original extension. (Available from your supplier)

Unauthorized extension of the thermocouple has the effect of stress reduction, thereby the magnetic coil can not be activated.

Prevent leakage of the ignition spark to other parts of the installation than the Ignition by the pilot.

Keep the ignition free of hull or other metal parts. If cable extension is used, see to it that connections are additionally insulated with silicone grommet.

For automatic start via the transmitter, the receiver and the control the gas control valve to be switched.

The oval disk on the gas control block should be turned to the **ON** position. The **I/O** switch should be set to **I**. The ignition must be connected to the receiver box at the terminal **SPARK**.

The transmitter contains the thermostat sensor system and operates best at 2 to 3m from the unit. Although the communication via short wave radio signals takes place, it is recommended that the transmitter in the 'visibility' of to lay the gas apparatus in a place where the user wants to experience a pleasant temperature. Place the hand transmitter in direct sunlight or other hot places. The thermostat measures the temperature and regulates the flame size of the gas in accordance.

### 👉 NOTICE

- Sealed parts may not be adjusted. Warranty ends.
- Waiting time of 5 minutes between each starting attempt.
- Remove batteries only with the red ribbon which is under the battery, not with metal tool.
- Removing batteries with a metal object, the electronic control can permanently damage.

## 8 GAS TECHNICAL DATA

Type of indication(s)		1184 Room Divider - 1185 Tunnel CC			
Appliance		C11, C31, C91			
Concentric flues system		Holetherm CC 130-200			
Gastype		G25.3	G20/25	G20	G20↔25
Prepressure in mBar		25	20	20	20/25
Country		NL	DE	AT/CH/CZ/DE/DK/EE/ES/ FI/GB/GR/HR/IE/IT/LT/LU/ LV/NO/PL/PT/RO/SE/SI/ SK/TR	BE/FR
Category		I <sub>2</sub> EK I <sub>2</sub> (43,46-45,3 MJ/m <sup>3</sup> )	I <sub>2</sub> ELL	I <sub>2</sub> H/-/I <sub>2</sub> E	I <sub>2</sub> E*
Primary air per burner	mm	3x(2xØ4)	3x(2xØ5)	3x(2xØ5)	3x(2xØ5)
Pre pressure	mbar	25	20	20	20↔25
Burner pressure high	mbar	22,4	17,8	17,7	17,7/22,29
Burner pressure low	mbar	10,9	9,7	9,7	9,7/10,9
Injector size	Ø mm	L1,55 M1,7 R1,55	L1,55 M1,7 R1,55	L1,55 M1,7 R1,55	L1,55 M1,7 R1,55
Inj. Pilot burner	CODE	51	51	51	51
Low settings size	mm	Adjustable	Adjustable	Adjustable	Adjustable
Load Hs	kW	13	11,35	13,6	13,6
Load Hi	kW	11,78	10,2	12,23	12,23
Consumption	m <sup>3</sup> /h	1,418	1,258	1,295	1,295
Nom. Power high	kW	9,66	8,36	10,2	10,2
Nom. Power low	kW	3,4	3,1	3,7	3,7
NOx EN613	classe	4	4	4	4
Efficiency Class EN613		2	2	2	2
<b>Useful output (NCV) system **</b>					
At nominal heat output	%	83	83	83	83
At minimal heat output	%	76	76	76,3	76,3
<b>Additional electricity consumption</b>					
Nominal	kWh	0,0072	0,0072	0,0072	0,0072
Stand-by	kWh	0,0003	0,0003	0,0003	0,0003
<b>Energy efficiency ***</b>					
Energy efficiency index	EEl	83	83	83	83
Energy label		B	B	B	B
NOx Hs	mg/kWh	105	110	110	110

Type of heat output/room temperature control	
Indirect heat functionality	No
Single stage heat release, no room temperature control	No
2 or more manually adjustable stages, no control of the room temperature	No
With mechanical control room temperature by thermostat	No
With electronic control of the room temperature	Yes
With electronic control of the room temperature plus day-time switch	Yes
With electronic control of the room temperature plus week-time switch	Yes
<b>Other control options</b>	
Control room temperature with presence detection *	Yes
Control room temperature with open window detection *	Yes
With remote control option	Yes

\* in combination with home automation

\*\* shortest system path

\*\*\* EU directive 2015-1186/1188

Type of indication(s)		1184 Room Divider - 1185 Tunnel CC	
Appliance		C11, C31, C91	
Concentric flues system		Holetherm CC 130 - 200	
Gastype		G30/G31	G30
Prepressure in mBar		(28-30)-37	30/50
Country		BE/CH/CY/CZ/ES/FR/GB/GR/IE/IT/LT/PT/SI/TR	AT/CH/CY/CZ/DE/DK/EE/FI/GR/HR/HU/IT/LT/NL/NO/PL/PT/RO/SE/SI/TR/
Category		I3+	I3B/P
Primary air per burner	mm	L=4xØ10, M=4xØ12, R=4xØ10	L=4xØ10, M=4xØ12, R=4xØ10
Pre pressure	mbar	(28-30)-37	30/50 50 mbar adjust burnerpressures
Burner pressure high	mbar	28,1	28,1
Burner pressure low	mbar	11,19	11,19
Injector size	Ø mm	L=1,1 M=1,2 R=1,1	L=1,1 M=1,2 R=1,1
Inj. Pilot burner	CODE	30	30
Low settings size	mm	Adjustable	Adjustable
Load Hs	kW	15,06	15,06
Load Hi	kW	13,9	13,9
Consumption	m³/h	0,431	0,431
Nom. Power high	kW	11,5	11,5
Nom. Power low	kW	3,5	3,5
NOx EN613	classe	4	4
Efficiency Class EN613		2	2
<b>Useful output (NCV) system **</b>			
At nominal heat output	%	83	83
At minimal heat output	%	70	70
<b>Additional electricity consumption</b>			
Nominal		0,0072	0,0072
Stand-by		0,0003	0,0003
<b>Energy efficiency ***</b>			
Energy efficiency index	EEl	83	83
Energy label		B	B
NOx Hs	mg/kWh	115	115

Type of heat output/room temperature control:		
Indirect heat functionality		No
Single stage heat release, no room temperature control		No
2 or more manually adjustable stages, no control of the room temperature		No
With mechanical control room temperature by thermostat		No
With electronic control of the room temperature		Yes
With electronic control of the room temperature plus day-time switch		Yes
With electronic control of the room temperature plus week-time switch		Yes
<b>Other control options:</b>		
Control room temperature with presence detection *		Yes
Control room temperature with open window detection *		Yes
With remote control option		Yes

\* in combination with home automation

\*\* shortest system path

\*\*\* EU directive 2015-1186/1188



# 9 CONCENTRIC CHIMNEY LAY OUT

Table of concentric chimney lay out

Lay out	Illustration	X total in meter		Y total in meter		Restriction
		min*	max*	min*	max*	
<b>X = vertical and Y = horizontal</b>						<b>1180 - 1183</b>
Indirect exterior wall outlet G20/G25/G25.3	A-B	1	3	0	5,5	See restriction conditions
Indirect exterior wall outlet G30/G31	A-B	1	3	0	3,5	See restriction conditions
Roof termination without elbows	C	2	12			See restriction conditions
Roof termination with 45° elbows**	D	3	12	0	4	from X totaal - Y > 6 meter: 55mm
Roof termination with 90° elbows***	E	3	12	0	2	from X + X1 - Y > 6 meter: 55mm

45° elbow: calculation length 1 meter, 90° elbow: calculation length 2 meter

\* recommended length excluding roof or wall terminals. Always starting length of 1 meter.

\*\* Vertical: horizontal ratio X + X1 + X2 : Y ≥ 2 : 1

\*\*\* Vertical: horizontal ratio X + X1 : Y ≥ 2 : 1

Restriction conditions all gas types

Vertical lay out NG

Distance	Baffle plate	Restriction	Air in restriction
2-6m	Yes	70mm	Yes
6-12m	Yes	90mm	Yes

Verticale trajecten LPG

Distance	Baffle plate	Restriction	Air in restriction
2-6m	Yes	65mm	Yes
6-12m	Yes	90mm	No

G25/25.3 horizontal sections up to 5.5 meters including wall ducts

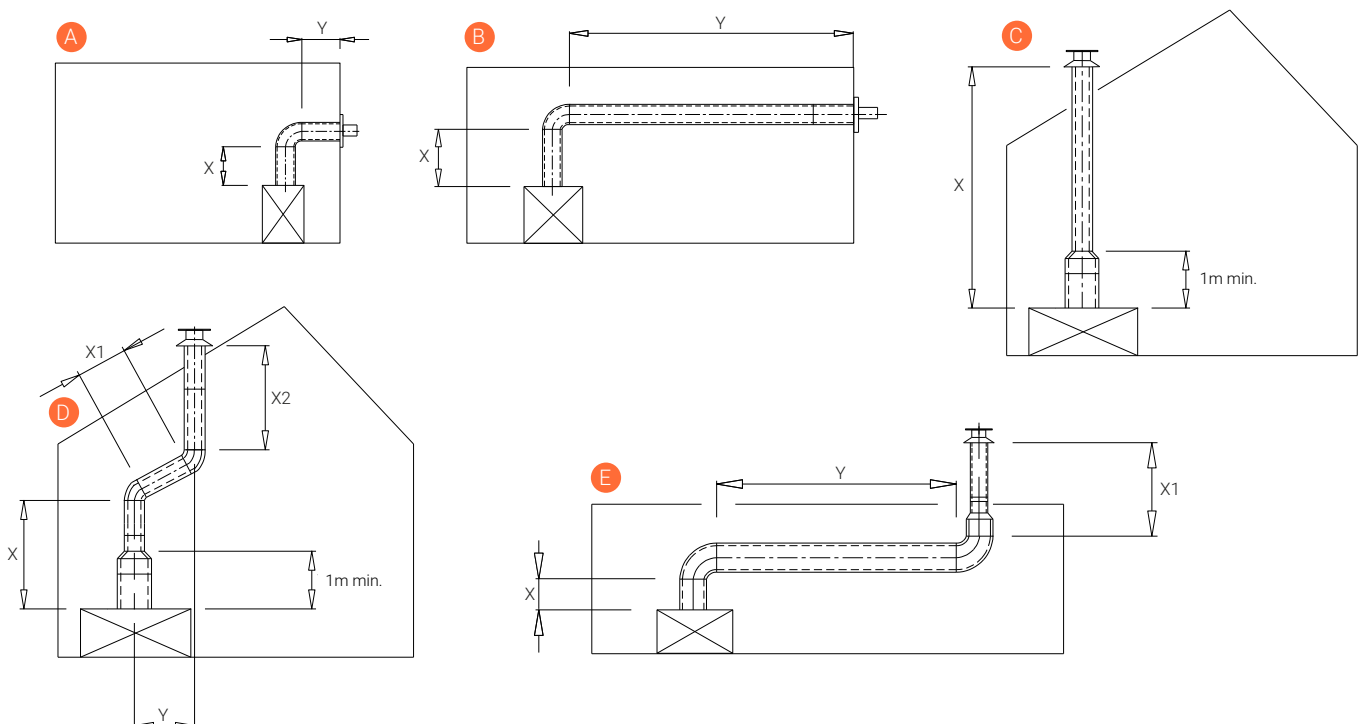
Distance	Baffle plate	Restriction	Air in restriction
1 m 90° en 0.5m	Yes	70mm	Yes
1 m 90° en 5.5m	No	No	No

G20 and G20/25 horizontal sections up to 5.5 meters including wall ducts

1 m 90° en 0.5m	Yes	70mm	Yes
1m 90° en 5.5m	No	No	No

G30/31 horizontal sections up to 3.5 meters including wall ducts

1 m 90° en 0.5m	Yes	65mm	Yes
1 m 90° en 3.5m	Yes	No	Yes



# 10 CONCENTRIC FLUE SYSTEM

The concentric flue system is composed of an inner- and an outer tube. These tubes are concentrically arranged; through the inner tube, the combustion gases are evacuated and the fresh combustion air is supplied between the inner and outer tube.

## 10.1 Components of the concentric flue system

Different connections are possible using the concentric flue system. These are:

### Through the roof face and through the exterior wall

There are various options for mounting the lay outs for this system, however, there are a few important requirements/ conditions:

- The maximum recommended vertical flue length is 12 metres (the sum of the flue length and the calculation lengths for the bends). See chapter 9 *Concentric chimney lay out*.
- 90° bends have a 2-metre horizontal calculation length.
- 45° bends have a 1-metre horizontal calculation length.
- The outlet can be installed at any point on the roof face or exterior wall (supply and discharge in an identical pressure area), but must meet applicable regulations.
- Ducts may not be insulated.

#### NOTICE

- Ensure the restriction plate in the fire is mounted in the correct manner, as indicated in these instructions.
- The correct restriction plate will provide the unit with the most optimal efficiency, flame image and combustion.
- Mounting an incorrectly placed restriction plate may cause malfunction of the unit.

## 10.2 Construction of concentric flue system

### Indirect wall connection

- The outlet may be installed in the wall, taking any hindrance to the surrounding area into consideration, according to national, regional, local standards and regulations.

#### NOTICE

Ensure wind pressure on the flue terminal is not too extreme, such as a balcony, flat roof, corners and in small alleys etc., as this may negatively influence the unit efficiency.

- Provide a recess in the exterior wall of around 155mm for concentric 100-150, and 205mm for concentric 130-200. (in a flammable wall ensure there is 50mm of extra space around the outer pipe and use fireproof casing) and fix the exterior wall duct with the wall plate to the outer side of the wall. The wall plate of the exterior wall duct must be

sealed sufficiently against the wall on the outside, to avoid moisture and/or flue gas leaks into the living space.

- The flue should be cased if necessary. Sufficient fireproof measures must also be taken when the flue is being mounted along flammable materials.
- Determine the position of the unit and outlet and begin construction of the flue with the connection on the unit, paying attention to the direction of installation and connecting the elements by means of locking bands.
- An adjustable length can be used between the bends or when connecting to the unit. If necessary, use wall brackets to support the flue.

### Roof termination

- The flue terminal can be located at any random place on the roof face (supply and exhaust in identical pressure areas) and must meet the applicable rules and regulations.
- A roof flashing for a flat roof or a lead flashing for sloping tiled roofs can be used for a watertight connection. Use various elbows for making the proper connection, if required. The recess in the roof decking should be 50mm larger all around, to ensure sufficient fire resistance.
- One needs to take into account the regulation regarding fire resistance between rooms (See national, regional, local standards and regulations). A casing made of fireproof material (e.g. 12mm Promatect fire resistant plate) must be used at 25mm from the outside duct.
- Determine the position of the unit and outlet and begin construction of the flue with the connection on the unit (always 1 metre vertical first), paying attention to the direction of installation! The flue must be installed dripless. Connect the elements by using locking bands. Ensure the gas tightness of all connections is correct.
- An adjustable length can be used between the elbows or when making the connection to the unit and/or the roof terminal. Use 2 wall brackets to support the flue on each floor.

## 10.3 Installation instructions regarding existing flues

### APPENDIX 3

### Instructions

The flue gas exhaust system falls within category C91 and must be built in accordance with national rules and regulations and the instructions of the manufacturer, as specified in the documentation and installation instructions.

This means, among other things, that the existing chimney must not be smaller than 150mm round/square, but no larger than 200mm, and not ventilated by grilles etc. In the case of larger chimney size, a flexible hose of around 150mm may possibly be used in combination with a flexible hose of around 100mm, as described below. For other situations, you should consult your supplier/manufacturer.

## 10.4 Parts

Check all parts for damage before commencing the installation. You will require the following parts for converting a brickwork duct to a balanced flue concentric duct. (see *Appendix 3 Installation examples regarding flues*)

### NOTE

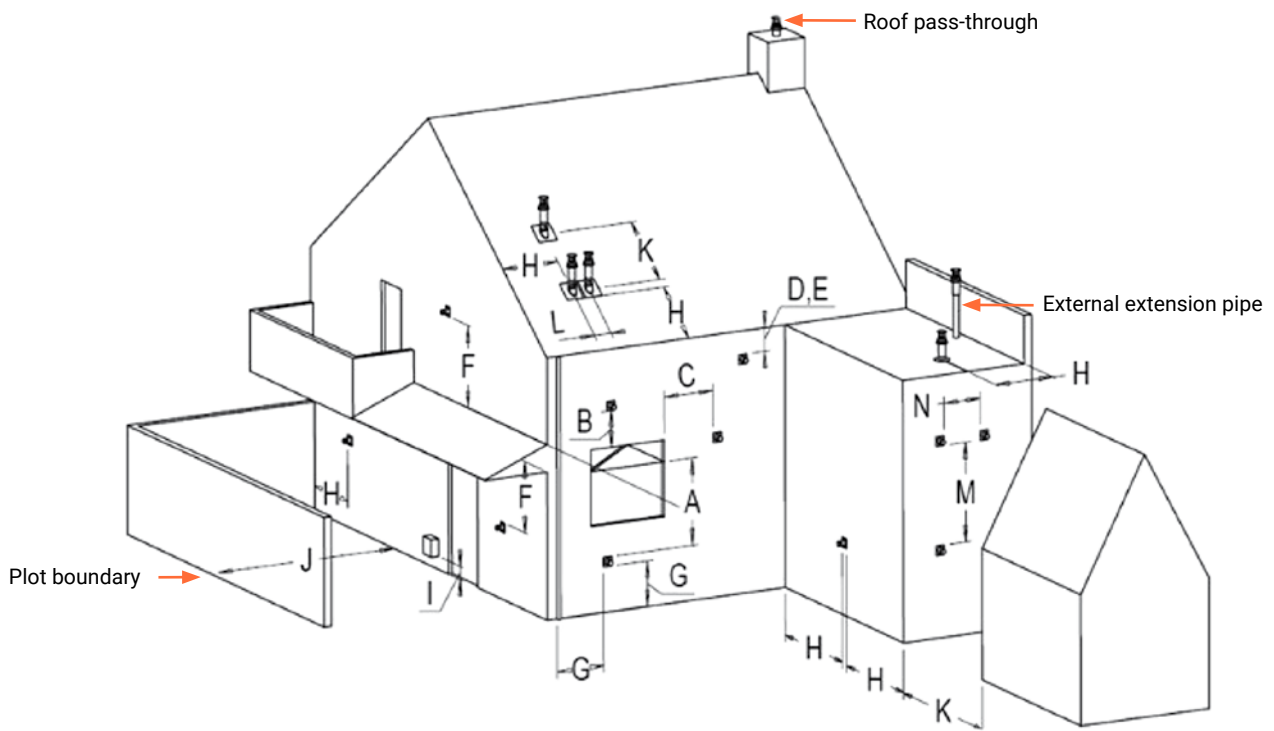
The renovation kit consists of parts:

- ④ Interior mounting plate
- ⑤ Sliding element
- ⑧ Chimney mounting plate

## 10.5 Installation

- Guide the flexible hose ⑥ through the existing duct.
- Attach the adjustable pipe ⑤ to the bottom of the flexible hose and secure this in place using 2 parkers.
- Level the bottom side of the adjustable pipe ⑤ with the ceiling of existing chimney.
- Shorten the flexible hose to approximately 100mm above the existing chimney top.
- Attach the mounting plate/connecting piece ⑧ to the flexible hose on the roof. Clamp it with a hose band and secure it in place using a parker.
- Attach the mounting plate/connecting piece ⑧ to the chimney top, using silicone sealant to make it watertight secure with stainless steel screws.
- Install the roof terminal ⑩ and secure it in place using the supplied locking band ⑨.
- The adjustable pipe ⑤ will stick about 100mm below ceiling/existing chimney. Mount the inner ceiling plate ④ gastight to the ceiling/existing chimney with silicone kit and fixing screws.
- Position the unit in accordance with the instructions of the unit manufacturer.
- Always install a minimum of 500mm of concentric duct type THC CC ②.
- Extend the concentric flue using sections ② up to a minimum of 100mm in the structural duct. Finally, turn the clamping strip by hand in the mounting plate inside ④.

# 11 TERMINAL POSITIONS AND CORRECT FUNCTIONING



Dimensions	Outlet positions	Distance mm
A	Distance to ventilation openings	Room*
B	Distance to ventilation openings	Room*
C	Distance to ventilation openings	Room*
D	Gutter channel base pipes or outlet pipes below here	500
E	Under the eaves	500
F	Under a carport, roof or balcony, inside and outside corners	500
G	From vertical ground pipes or drain pipes	300
H	Inside and outside a corner	500
I	Above an external gas pressure regulator	1000
	Side of a gas pressure regulator	500
J	Conflict distance façade outlet	Room*
K	Roof drain centre to centre	1000
L	From the centre of both roof drains	450
M	Two wall drains above each other	1000
N	Two wall drains next to each other	1000

\* In accordance with local building codes

## 12 CLEANING AND MAINTENANCE

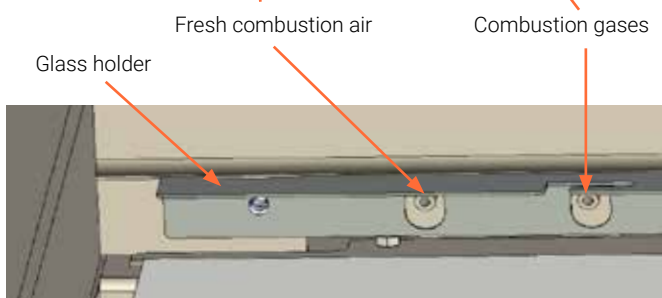
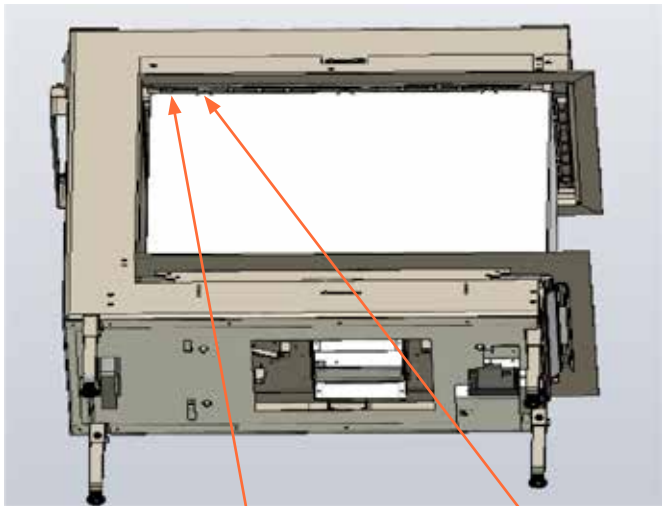
This appliance should be inspected and serviced once a year by a qualified, competent and registered person. The inspection and maintenance must at least ensure that the appliance is working correctly and safely.

It is advisable to clean the appliance of any dust and debris before regularly during the heating season and especially if the appliance has not been used for some time. This can be done with a soft brush and a vacuum cleaner or a damp cloth and if required a non-abrasive cleaning agent. Do not use corrosive or abrasive substances to clean the appliance.

The Concentric flue system must be inspected and cleaned every 2 years. Also control of:

- 1 Gas tightness of gas fire and concentric flue system.
- 2 The correct operation of the gas control and the ignition of the burner.
- 3 The operation of the pressure hatches; that they can open and close freely.
- 4 Correct operation of the gas control block and ignition of the burner.

The hearth is equipped with measuring points to allow analysis of the combustion gases and fresh combustion air. The connection points are located in the middle of the glass holder above the front pane. To connect the measuring tubes, remove the sealing plugs first using a 5mm Allen key. The left-hand connection is for the fresh combustion air, the right-hand connection is for the combustion gases.



### Anti Reflective glass; AR glass cleaning instructions APPENDIX 4

#### General

AR glass is a non-reflective ceramic glass. This glass is provided with a AR-coating on both sides of the glass. The anti-reflection coating gives a reduction in the reflection up to a minimal shine. The coating layers are more sensitive than the known ceramic glass, hence it is necessary to follow special cleaning procedures.

#### **NOTICE**

Wear soft cotton gloves at all times.

#### Important

Don't use any of the following cleaning materials: Hard (abrasive) sponges, steel wool, abrasives and cleaners with ammonia or acid (citric acid as well), paper towels, ceramic cook top cleaner.

#### Only use

Water or suitable detergents. We advise our thermoCet Cleaner.

#### Procedure

- The rubber suction cup to take out the glass must be clean. (Scratch hazard).
- Release the glass retaining strips and take the glass out of the appliance.
- Place the glass on a stable soft surface.
- Use a soft (microfiber) cloth/soft sponge.
- Clean the glass with the special cleaner and or water.
- Make sure there is no residue, such as fingerprints, left behind.
- Replace the glass and tighten the glass retaining strips.
- Double check for residue on the outside of the glass, also left behind by the suction cup.

#### Important

After the first use the inside of the pane will have a white haze, it is necessary to remove the white haze immediately after the first use, when the appliance has cooled. The higher the frequency of use more frequent cleaning might be needed. Not timely cleaning of the glass can cause it to go dull and will be difficult to clean.

#### Information

If an appliance with AR glass is placed near windows, or if there is a lot of light on the glass, it is possible to detect reflection of colours. For example, a red sofa, white table or floor the stove can cause the glass to reflect these colours. As the glass is cleaned more often or with not accepted products it will lose some of the AR effect.

# 13 QUICK REFERENCE GUIDE FOR FAULTSSEARCH FOR ENCLOSED GAS FIRES USING MERTIK GV60 GASCONTROL

Function	Possible cause	Solution
1. Acoustic signals	1 long beep → reset switch OFF (0)	Set switch to (I)
	1 long beep → connections not complete	Check connections in thermocouple circuit
	1 long beep → 8-core cable defective	Check connections in connector/replace 8-core cable
	1 long beep → micro switch defective	Replace gas valve
	1 long beep → Sync not OK	Carry out new sync procedure for remote control/receiver
	3 short beeps → power supply	Replace batteries or 6-VDC adapter
2. No reaction remote control/receiver	Power supply problem	Check batteries/6-VDC adapter
	No sync remote/receiver	Carry out sync procedure
	Distance between remote control/receiver	Change position of receiver
	Defective receiver	Replace receiver
	Faulty remote control	Replace remote control
3. No pilot light gas	GV60 DC magnet unit does not open (no clicking noise from gas valve)	Check wiring and breaker on thermocouple circuit Check/replace 8-core cable between remote control and gas valve 1 x sparks and stop: check ground cable under torx gas valve Replace receiver Replace gas valve
4. Poor/no spark	Spark cable loose	Check spark cable connections
	Short circuit between cable and metal	Check whether cable is free of metal parts
	Poor spark candle	Check spark candle for fractures, replace if necessary
	Distance of sparking candle to pilot light head	Check distance is approximately 4mm
5. Pilot light difficult to ignite	Gas supply pressure too high, nervous flame	Adjust gas supply pressure or adjust the pilot light pressure using the gas valve
	Gas supply pressure too low, short flame	Adjust gas supply pressure, check gas pipes, or adjust pilot light pressure using the gas valve
	Air in (pilot light) pipe, flame on/off	Blow pipes through, make air-free
	Injector blocked	Clean or replace pilot light injector
	Blocked/curved pilot light pipe	Check and clean pipe
	Pilot light head damaged	Check and replace pilot light
6. Pilot light goes out after ignition	Small pilot light, no flame on thermocouple tip	Check gas supply pressure, possibly too low
		Check pilot light injector and gas pipe
	Nervous pilot light flame, no flame on thermocouple tip	Check gas supply pressure, too high, adjust
		Adjust pilot light pressure on gas control block
		Air in pipes, vent
	Lazy pilot light, no flame on thermocouple tip	Check premix opening on pilot light, must be open
	Poor connections in thermocouple circuit	Check cables/breaker in thermocouple circuit
		Check thermocouple connections in gas control block, do not over-tighten.
		Measure thermocouple circuit voltage 4.5mV minimum
Bad thermocouple	Check open circuit voltage of thermocouple (18-30mV), replace if necessary	
Poor DC magnet unit in GV60	Replace gas valve	
7. Pilot light goes out when the fireplace is closed	False air along pilot light holder/gasket	Check pilot light holder and gasket for leaks
	False air hatches	Check pressure hatches/gasket is completely closed
	Main flame causes pilot light to go out	Check restriction/baffle in accordance with regulations

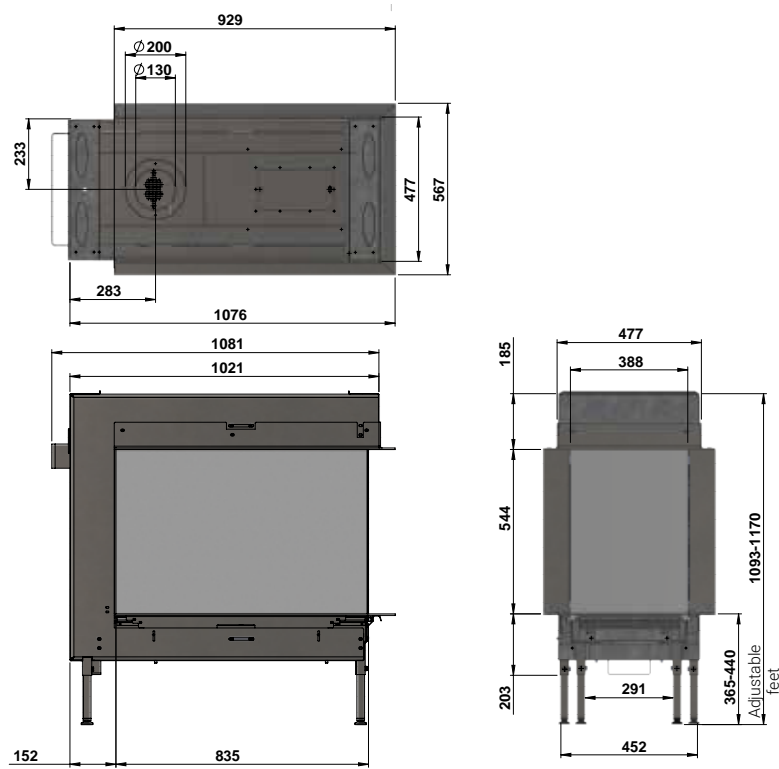


Function	Possible cause	Solution
8. Pilot light/main flame off	Gas pre-pressure has dropped	Check correct dimensions of gas pipe or blockage, correct
	Main burner ignition, 3 beeps, low power supply voltage	Check batteries or 6-VDC adapter
	Too much/little transport in unit/outlet	Check restriction/baffle situation in accordance with instructions.
	Concentric outlet pathway incorrect	Check outlet pathway in accordance with instructions
	Recirculation, façade/roof mouth position incorrect	Check outlet in accordance with instructions
	Recirculation in closed outlet system	Check outlet connections
9. Main burner does not start up	Gas control valve knob to MAN	Check gas control valve knob to ON
10. Delayed ignition of main burner	Pilot light burner blocked	Check logs, pebbles, etc. are in the right position. pilot light should be free of obstructions.
	Small/lazy pilot light	Check and correct pressure and physical state of pilot light burner
	Close main burner flame openings	Check and clean with a vacuum cleaner or similar device.
	Logs, etc. in wrong position	Check and correct, see instructions
11. Low main flame	Gas supply pressure too low	Check gas supply pressure and corrections
	Burner pressure too low	Check burner pressure, check instructions for correct values
12. No or little difference between high/low settings for main flame	Low position setting incorrect	Check and adjust low position in accordance with instructions
13. DB burner does not work	Defective step valve	Check whether clicking sound is perceptible, press button on remote control several times, replace valve if necessary
14. Sooty flame	Insufficient transport in unit/closed drainage system	Check restriction/baffle, follow instructions for correct value
		Check outlet system pathway in accordance with instructions
		Check outlet in accordance with regulations/instructions
	Excessive feed/burner pressure	Check and correct gas supply/burner pressure in accordance with instructions
	Blocked burner flame openings	Check and clean with a vacuum cleaner, for example
	Incorrect premix for main burners	Check and correct, see instructions
	Decorative logs, etc. in incorrect position	Check and correct, see instructions

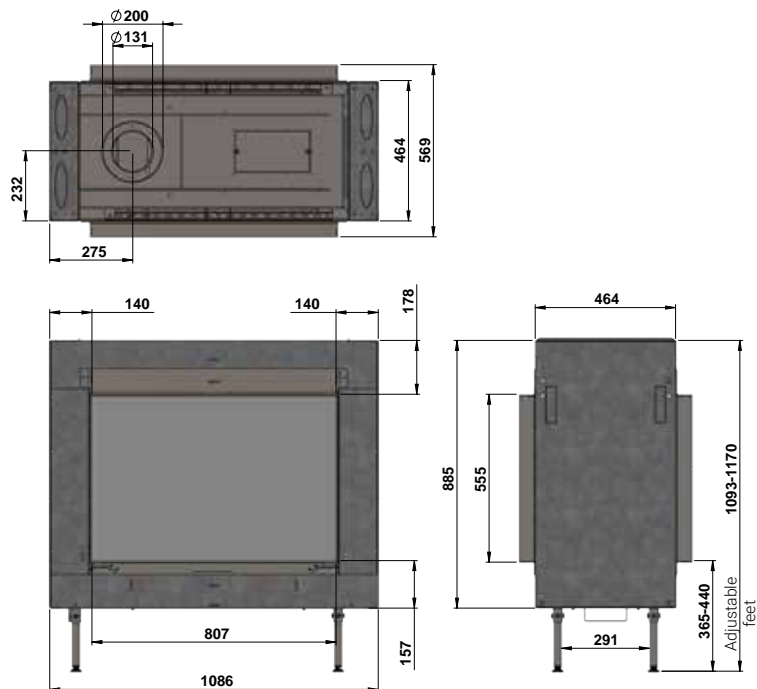
# Appendix 1 DIMENSIONAL DRAWINGS

Trimline 83 Room Divider DB

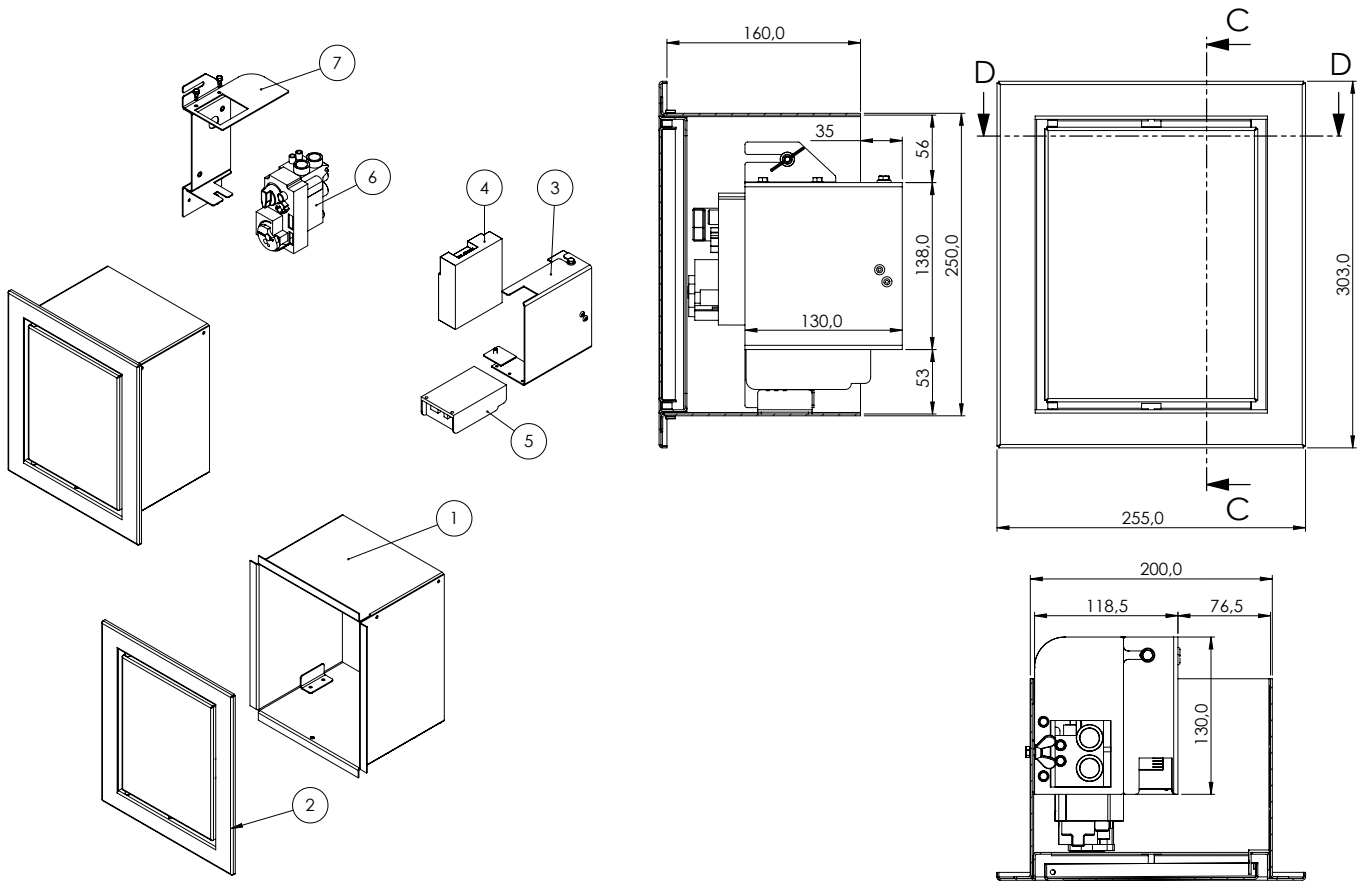
Measurements in mm



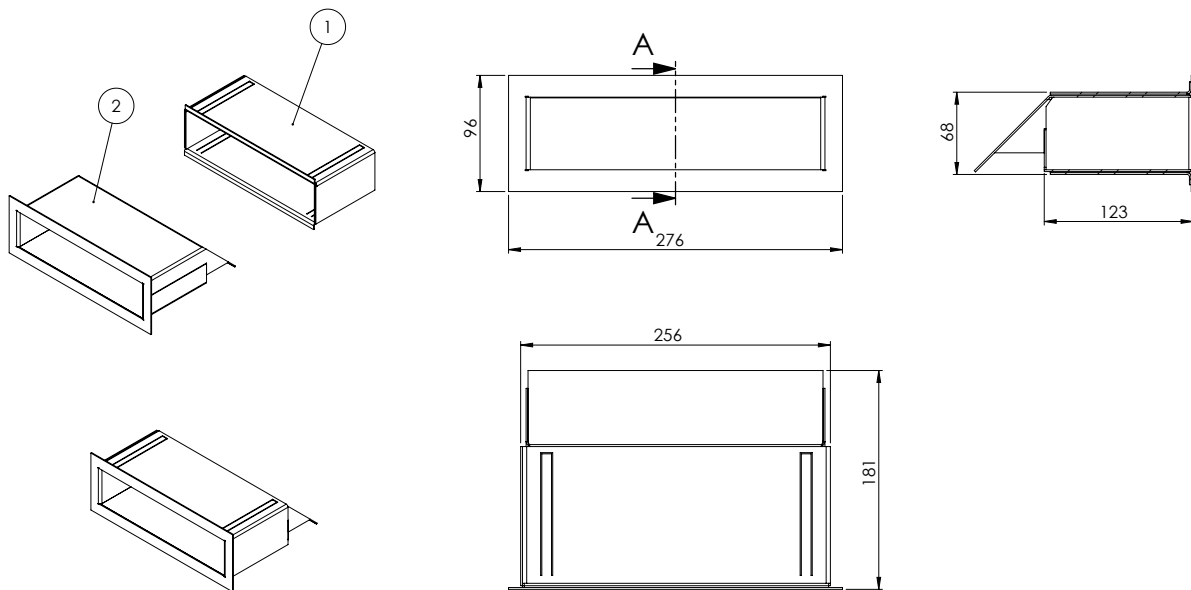
Trimline 83 Tunnel DB



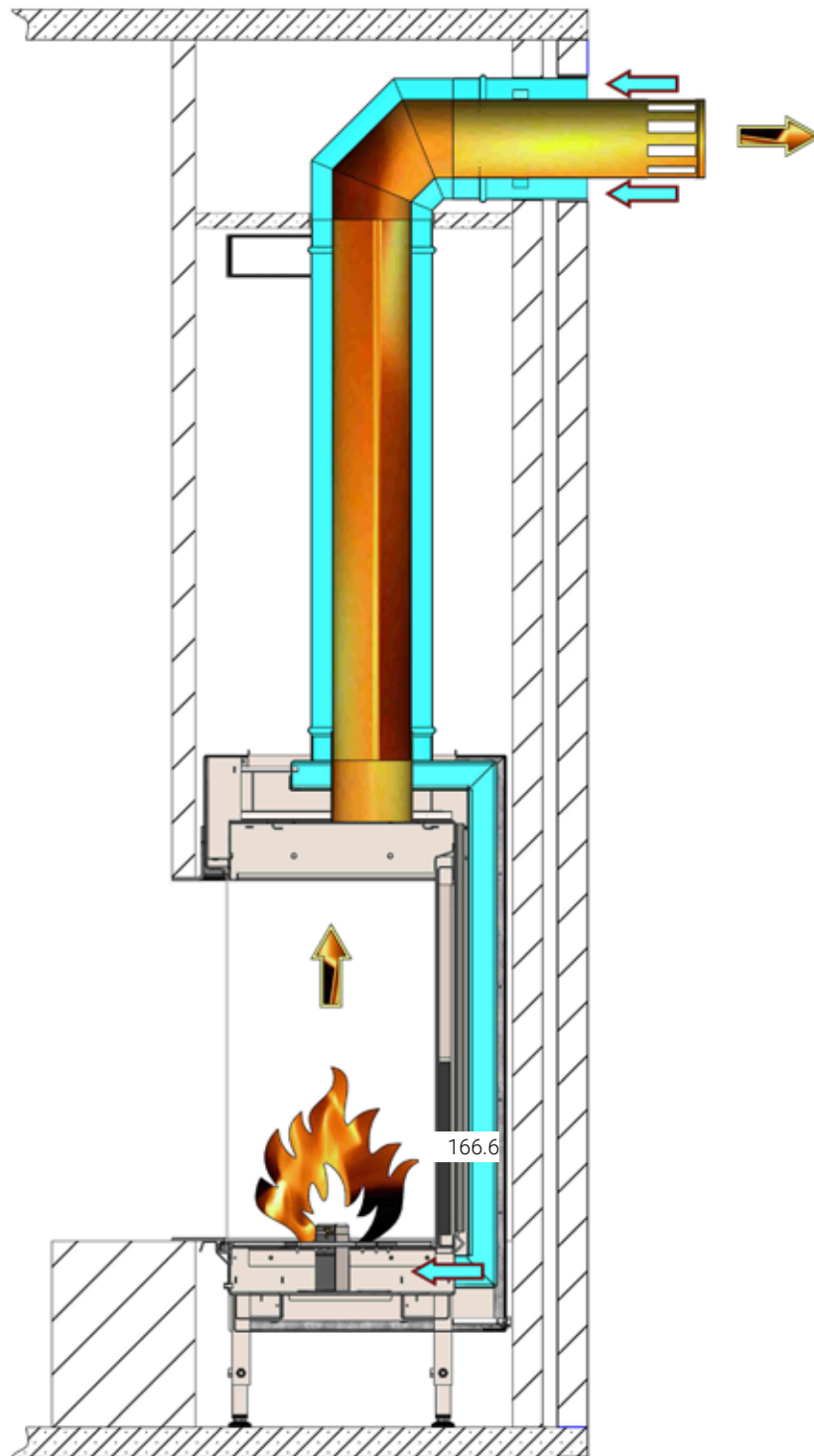
Built-in cassette



Convection grilles

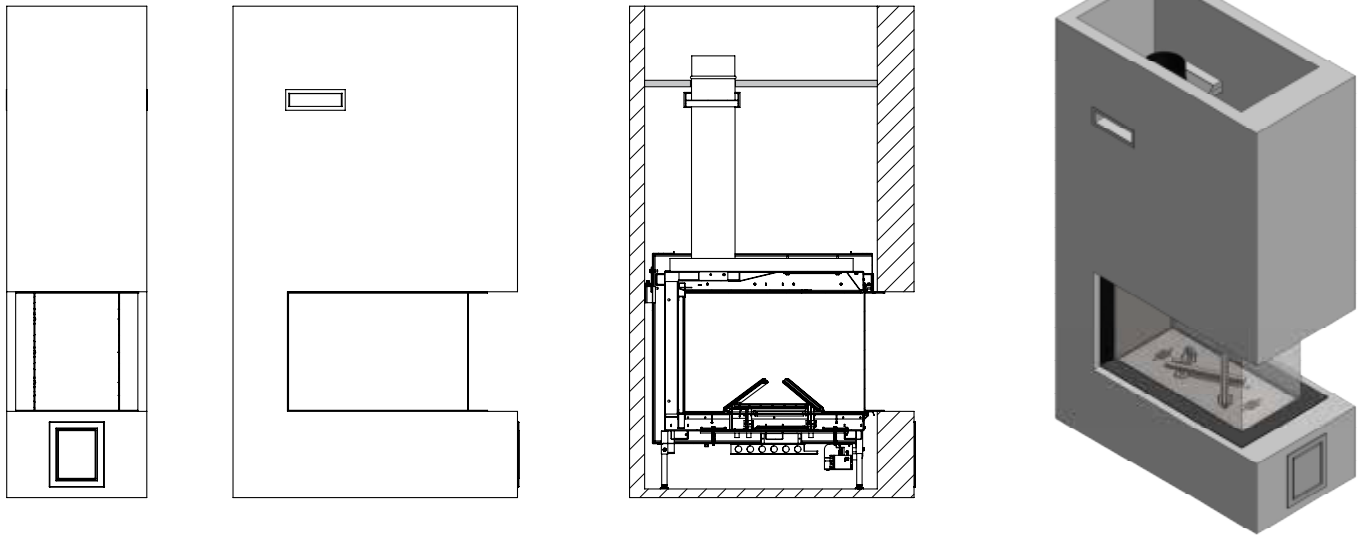


## Appendix 2 BUILT-IN EXAMPLES

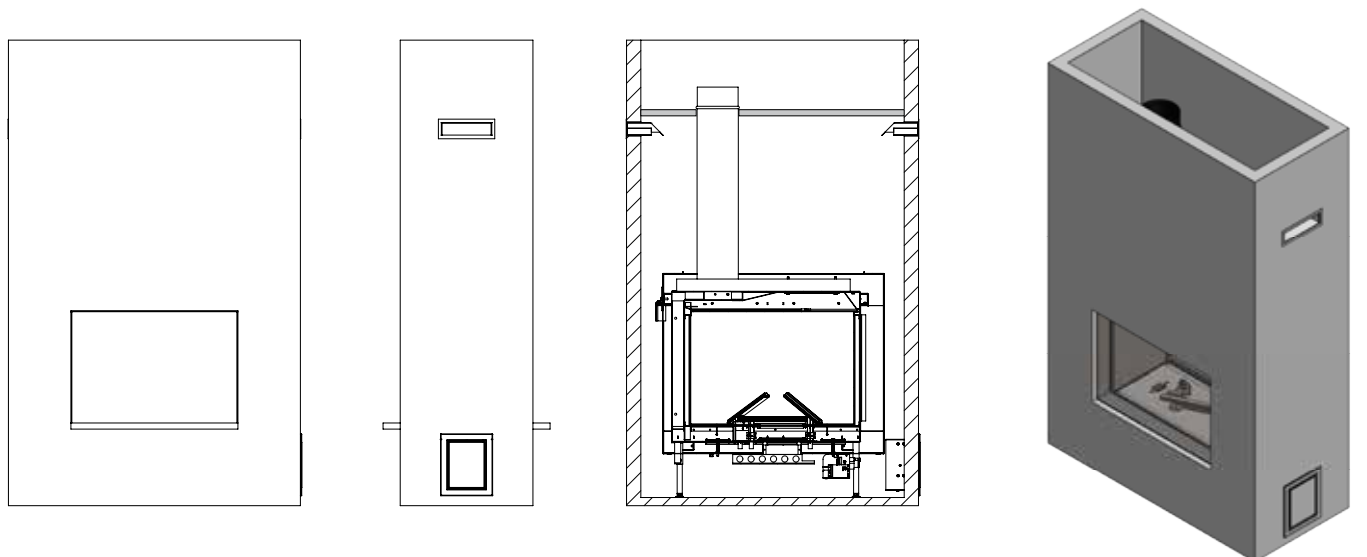


## Appendix 2 CONTINUED

### Trimline 83 Room Divider DB

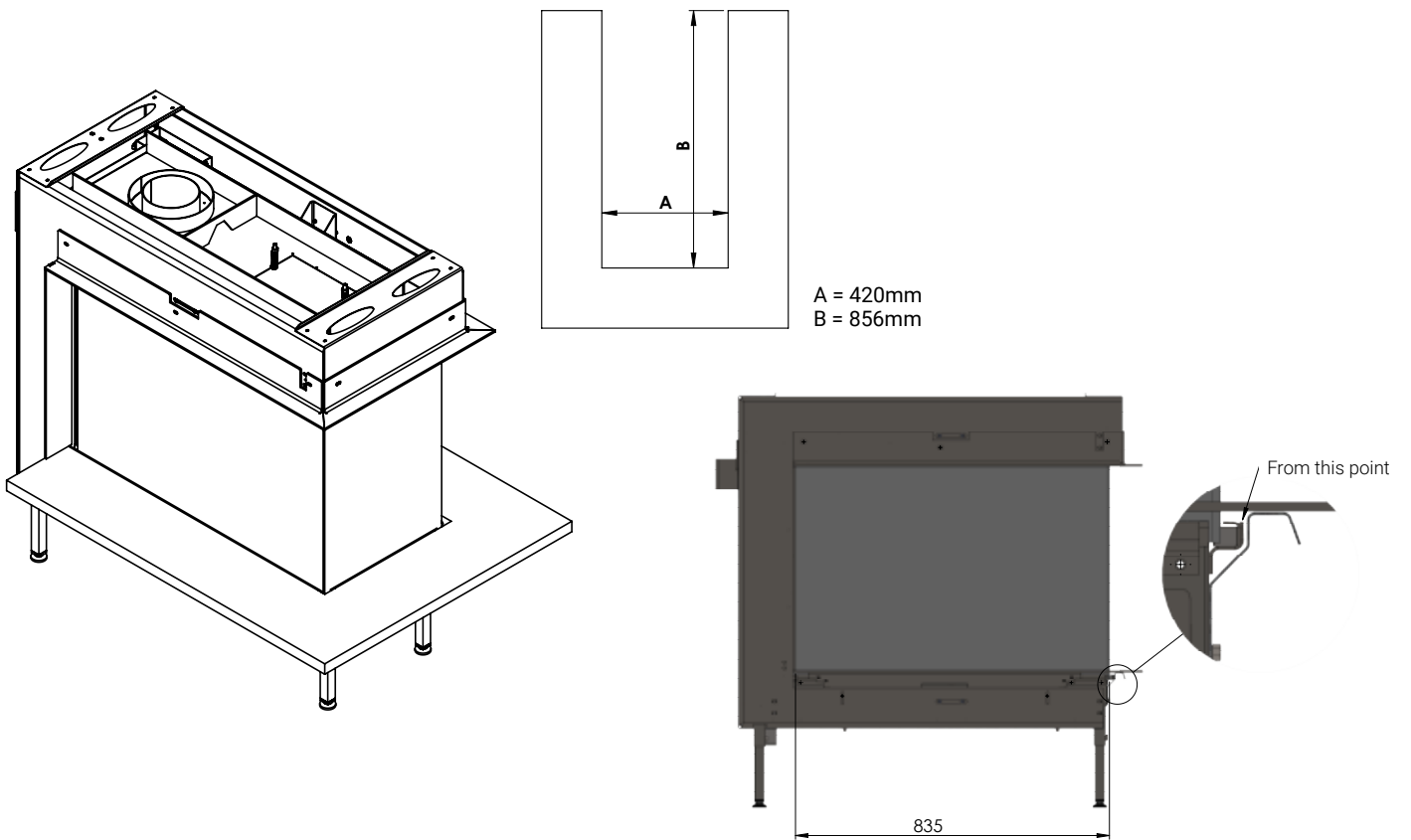


### Trimline 83 Tunnel DB

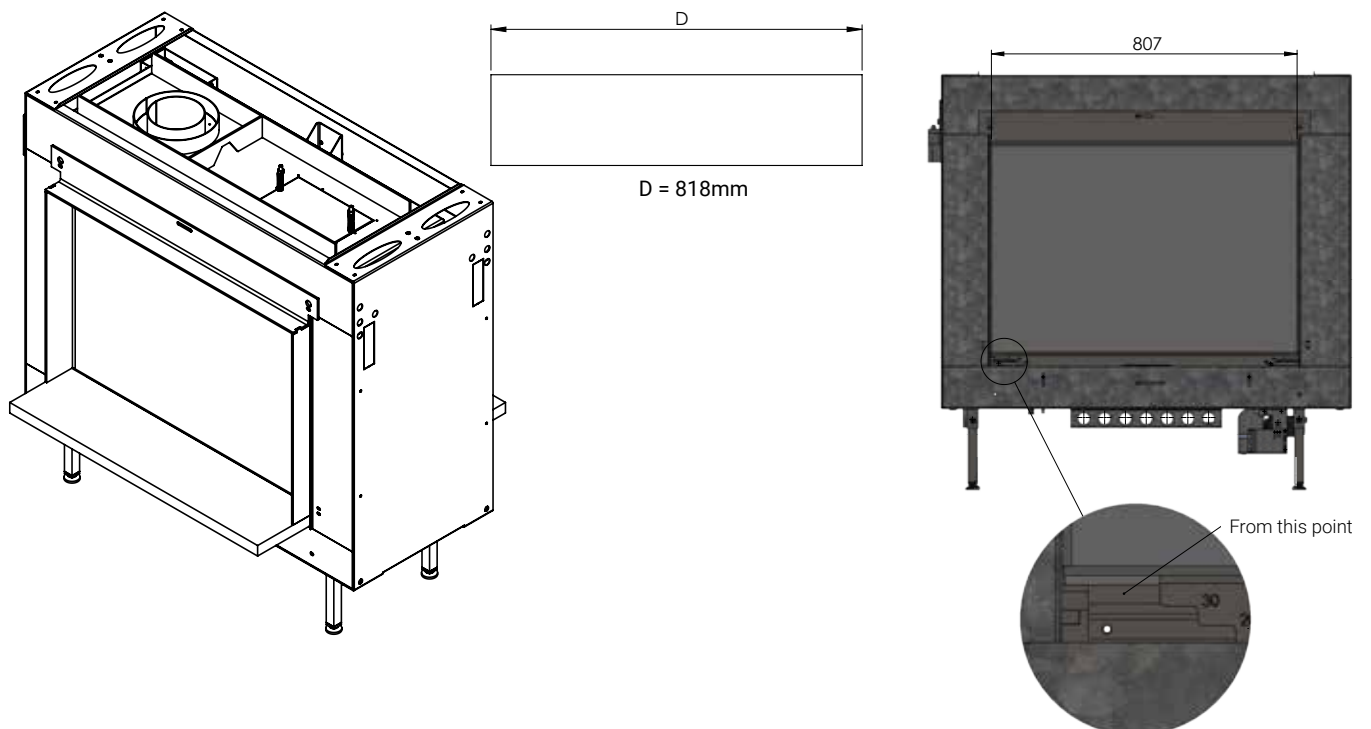


## Appendix 2 CONTINUED

### Trimline 83 Room Divider DB



### Trimline 83 Tunnel DB



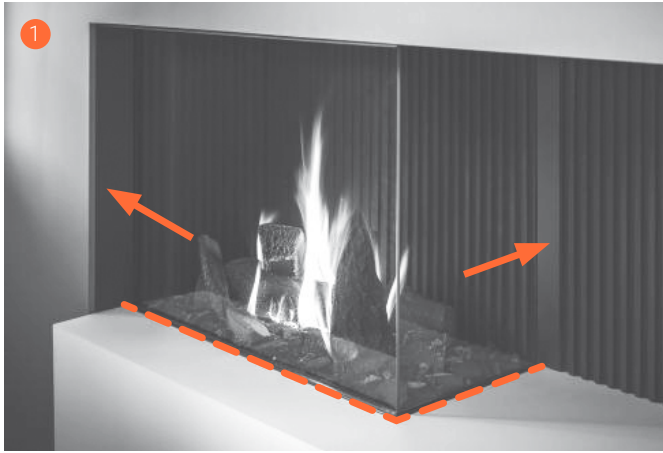
 **LET OP**

Size always to be checked on appliance.



## Appendix 2 CONTINUED

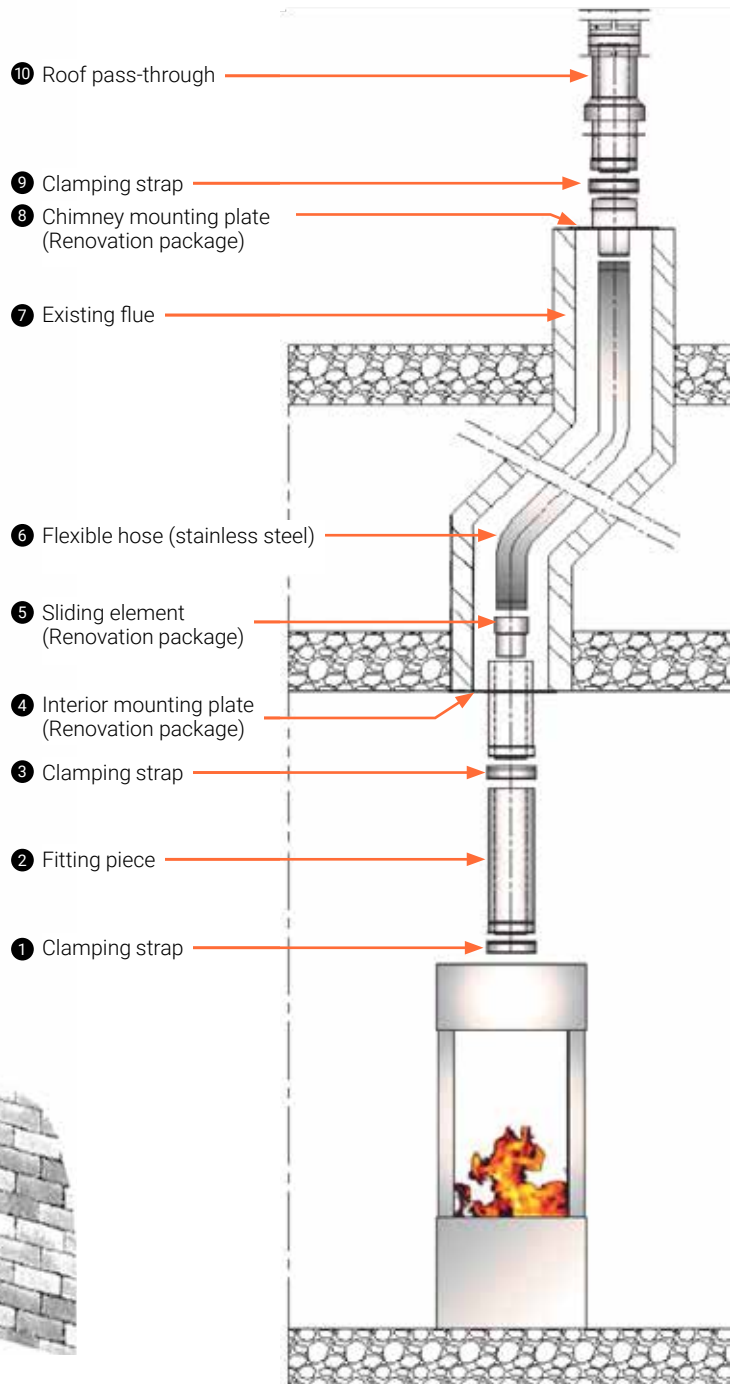
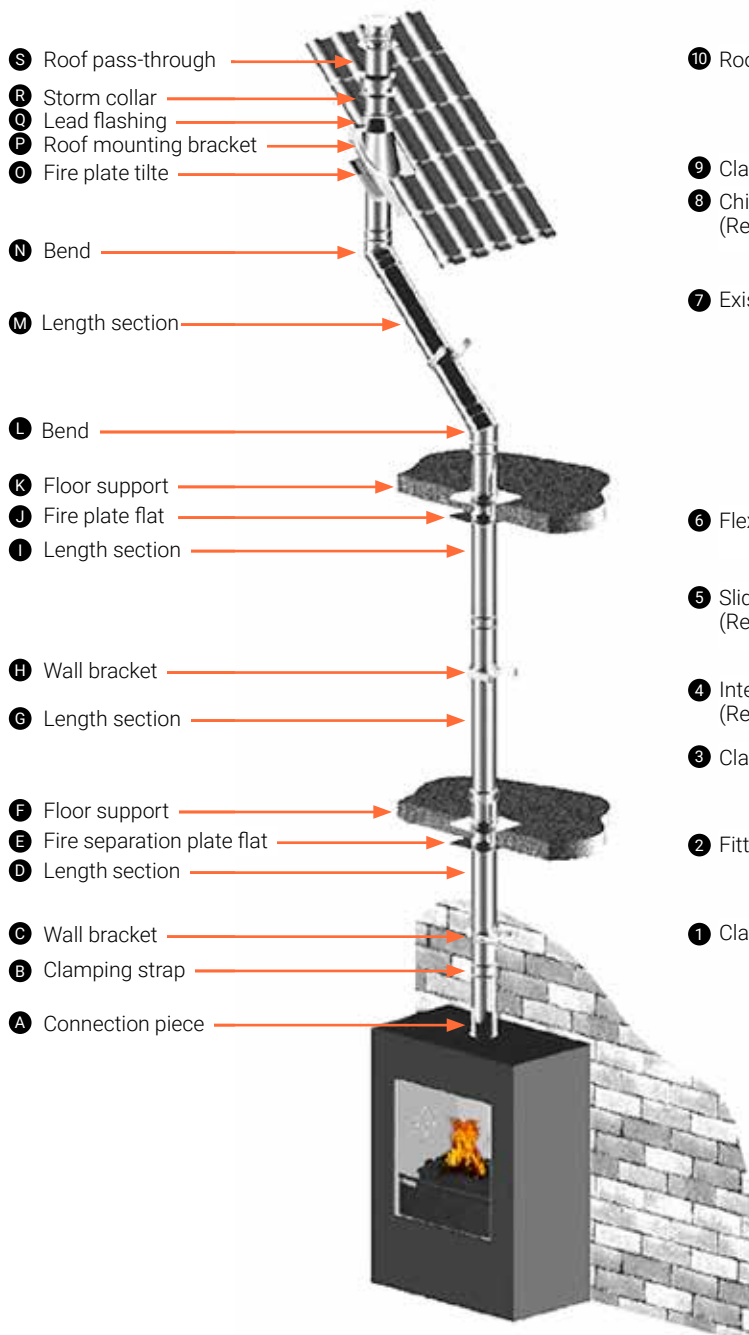
Trimline 83 Panoramic/Corner plateau levelled built in 'direct' against glass windows



# Appendix 3 INSTALLATION EXAMPLES REGARDING FLUES

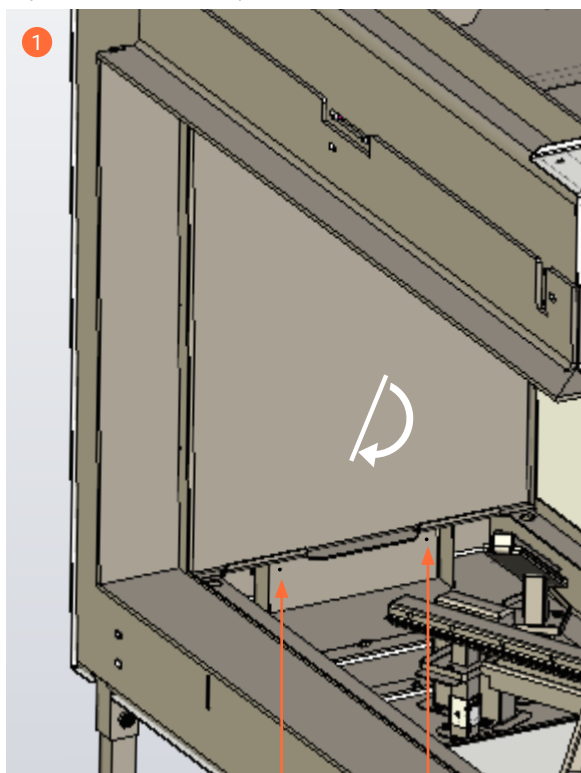
Material: Stainless steel AISI 316 L - Allow number 1.4404  
 For diameter see chapters 8 and 9

Application: for the discharge of flue gases and the supply of combustion air from gas-fired fireplaces or stoves with a closed combustion system



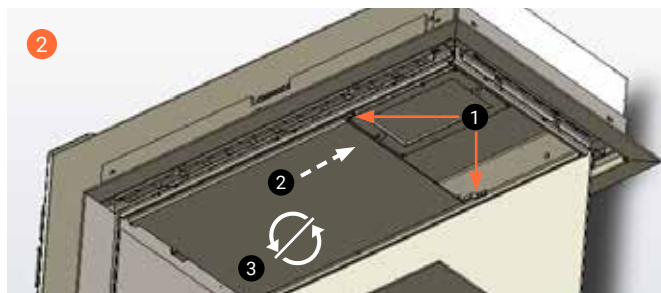
## Appendix 4 PREPARATION AND INSTALLATION

Intake restriction (See chapter 9 *Concentric Chimney Lay-out* for application)

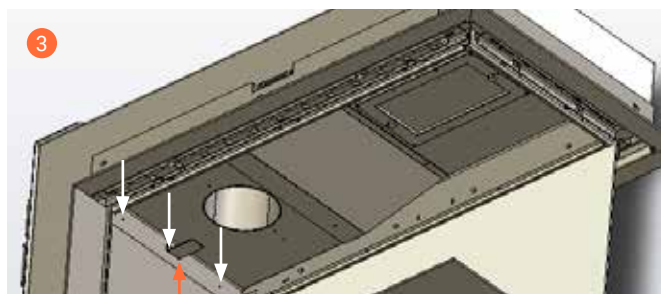


Disassemble inlet restriction using 2 parkers

Remove the baffle plate



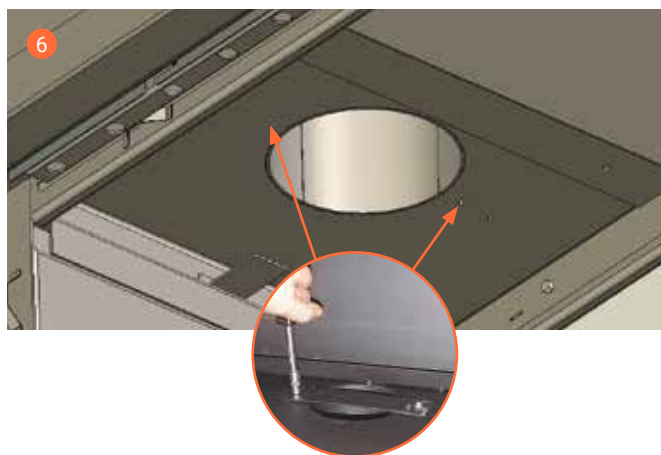
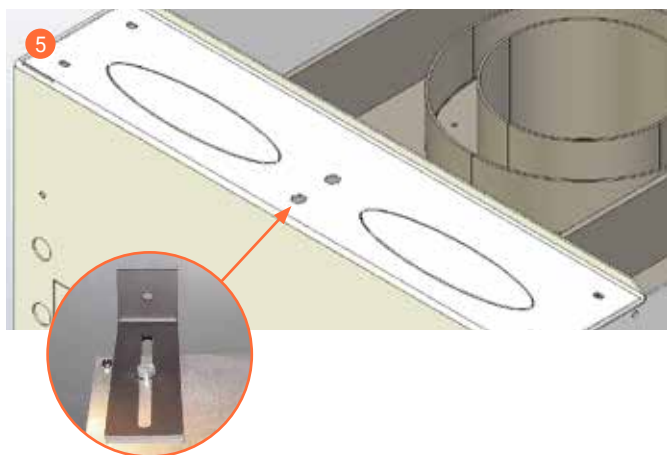
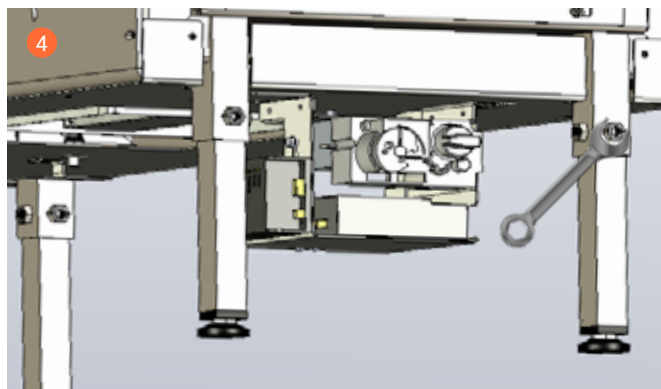
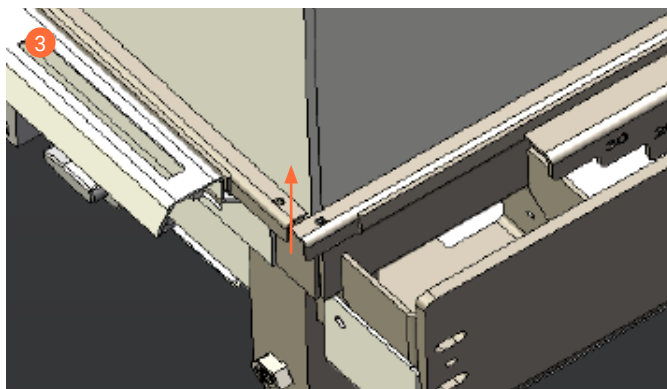
- 1 Loosen two parkers
- 2 Push the baffle plate from the rear wall towards the glass
- 3 Tilt to take out the baffle plate



The baffle plate is located under the lip due to transport and danger of tipping over.

### NOTE

In certain exhaust lay-outs, the baffle plate is not replaced, see Chapter 9 *Concentric Chimney Lay-out*.





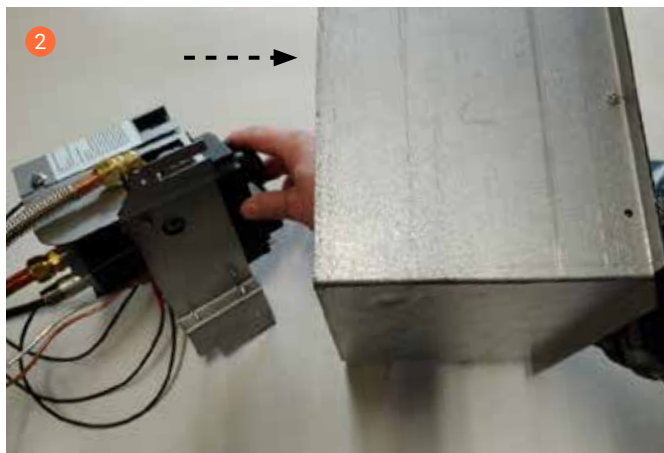
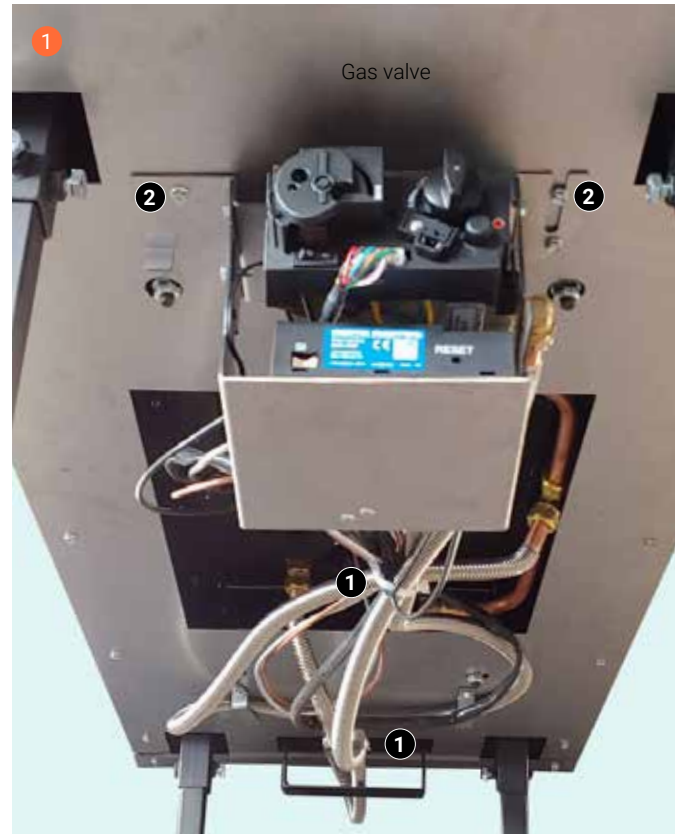
## Appendix 5 PREPARING GAS CASSETTE GV60 FOR INSTALLATION

### STEP 1 ①

Cut the ties to release all lines. ①

### STEP 2 ①

Remove the protection bracket with gas control block and receiver. ②



### STEP 3 ② ③ ④

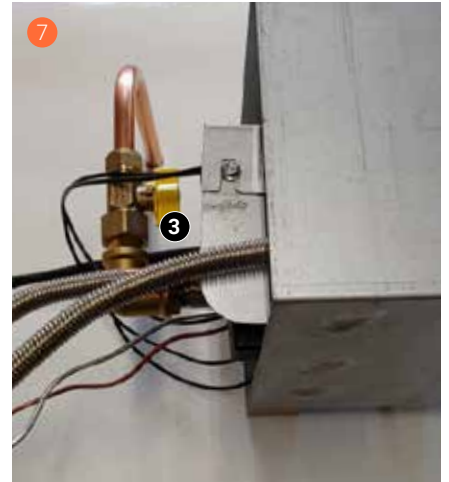
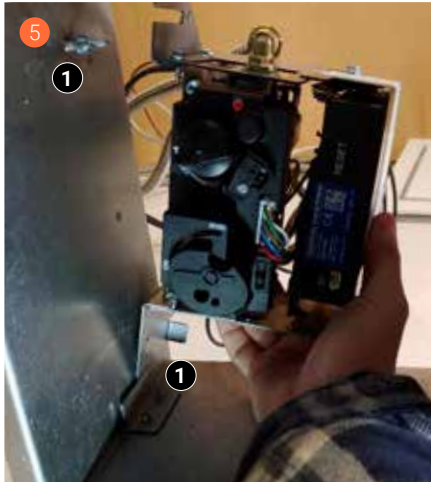
Place the gas control block and receiver in the gas cassette.



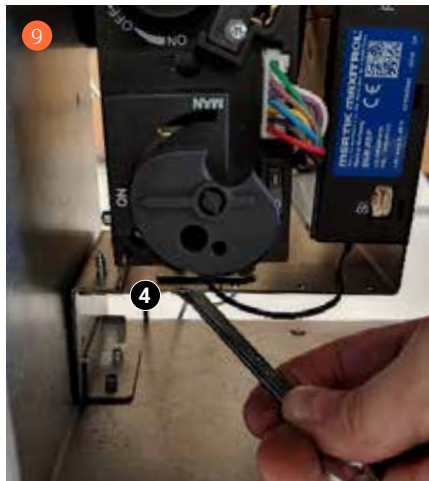
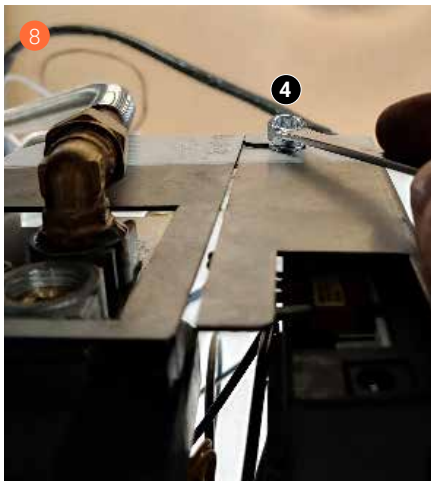
## Appendix 5 CONTINUED

### STEP 4 5 6 7

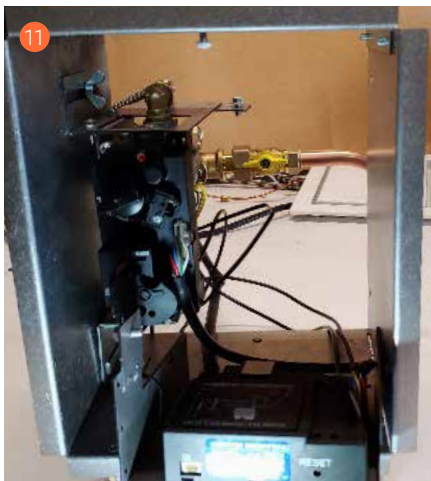
Slide the bracket with the gas control block and receiver into place 1. Fix the wing nuts in place. 2



Example of installing an accessible tap. 3

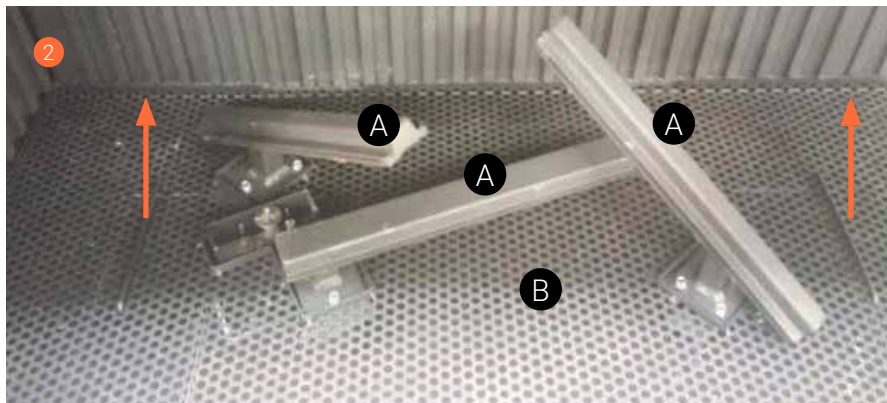
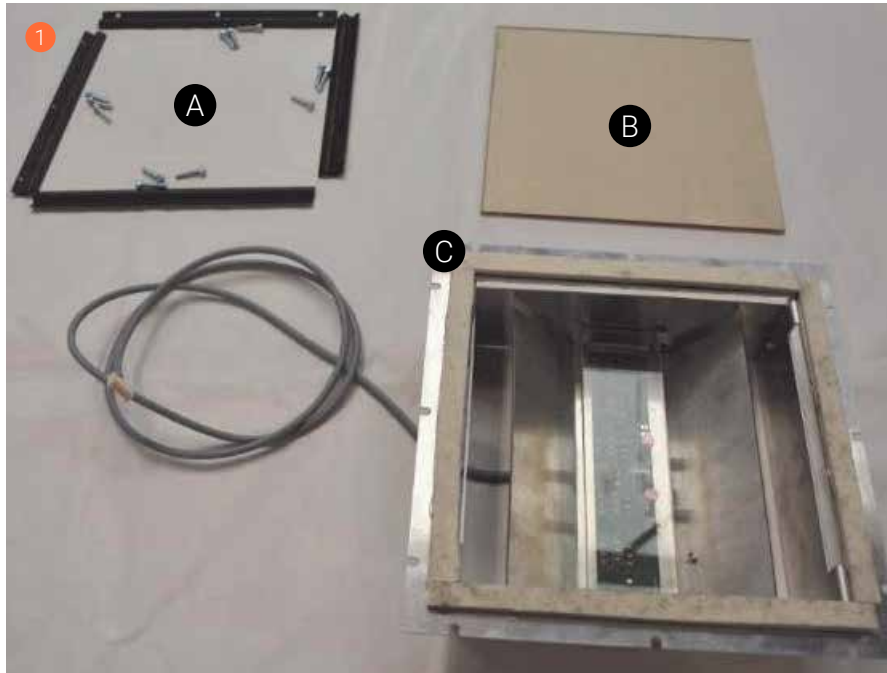


The holder with receiver can now be disconnected. 10 11 12 13





## Appendix 6 PLACING THE OPTIONAL LED GLOWBED UNIT



### ⚠ WARNING

The LED module cable must NOT TOUCH the ignition cable. Beware of this during installation and after maintenance.



Ignition cable  
LED module cable

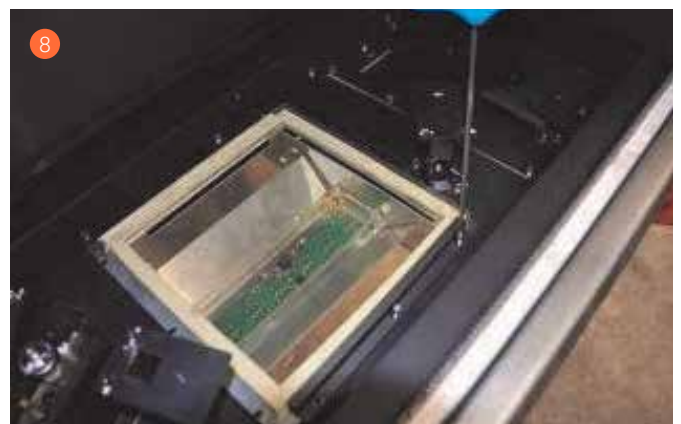


LED module cable  
Ignition cable



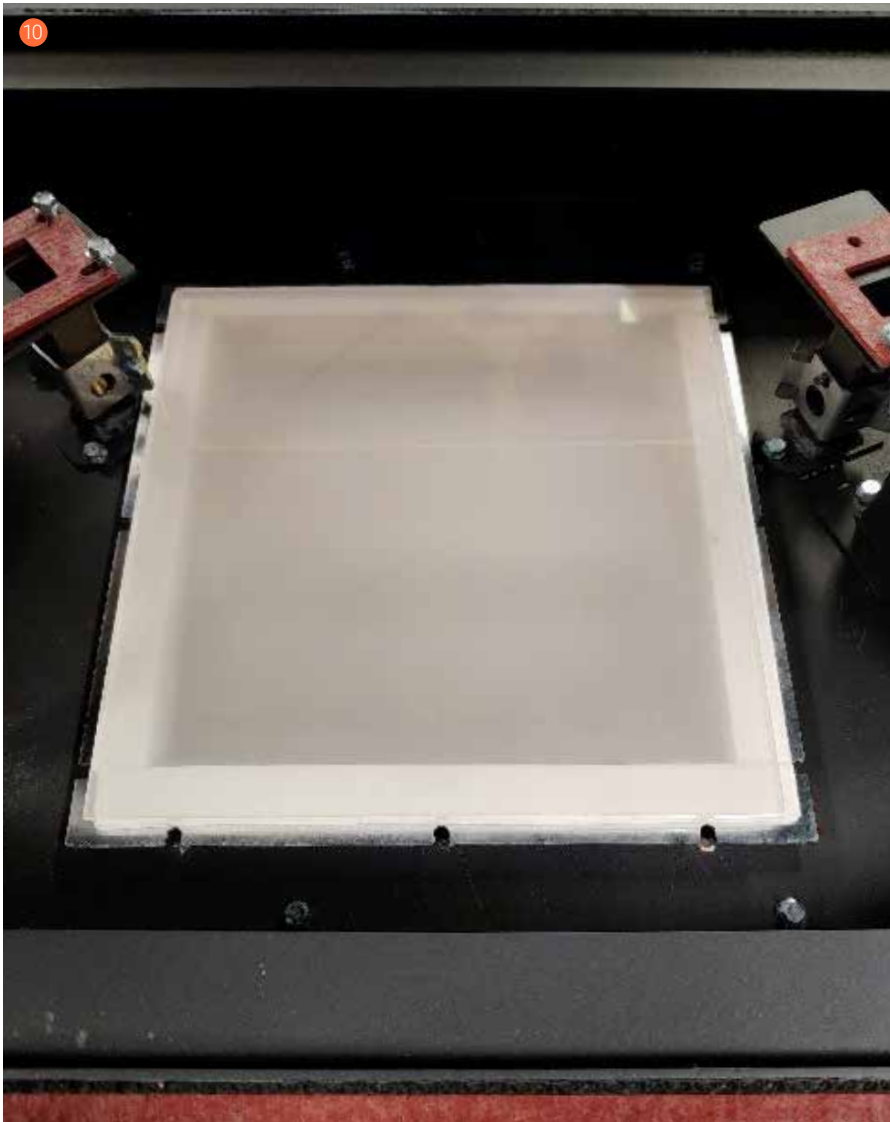
LED module cable  
Ignition cable

# Appendix 6 CONTINUED



**NOTICE**

Gloss side must face up



Glossy side



Matte side



# Appendix 7 FITTING LOG SET



Disassemble one of the standing burners to install block A.



Push block A against the stop towards the pilot flame.



Divide glass. Make sure the pilot flame remains free.



## Appendix 7 CONTINUED



Plaats de overige blokken.

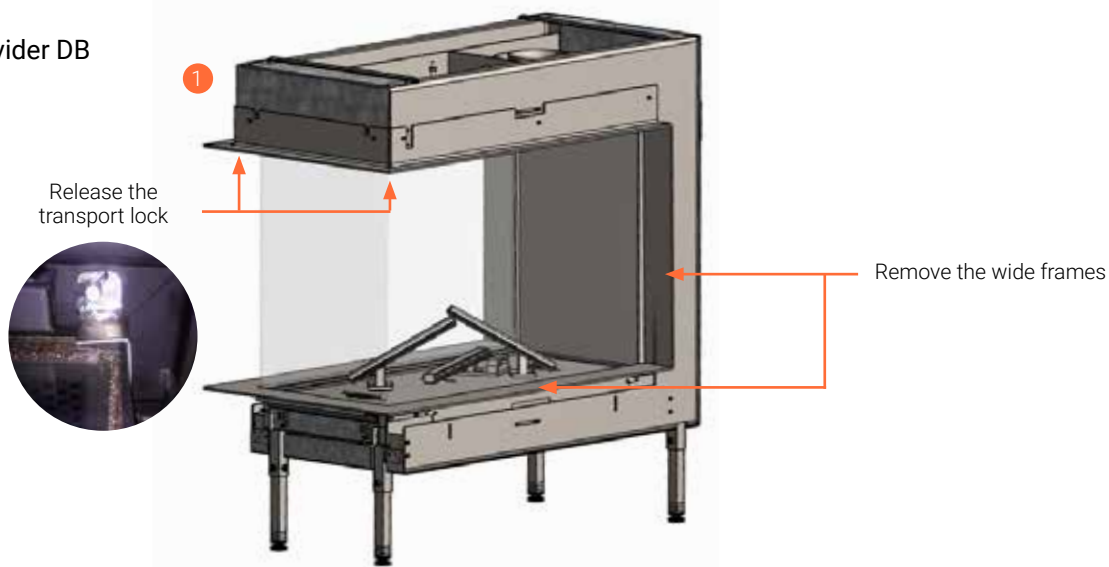


After putting the blocks in place, distribute the other glow materials over the grille.

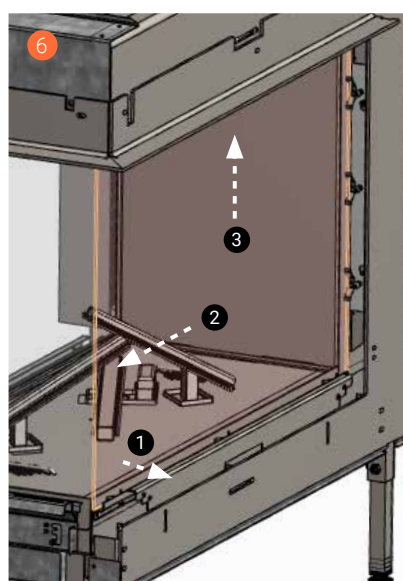
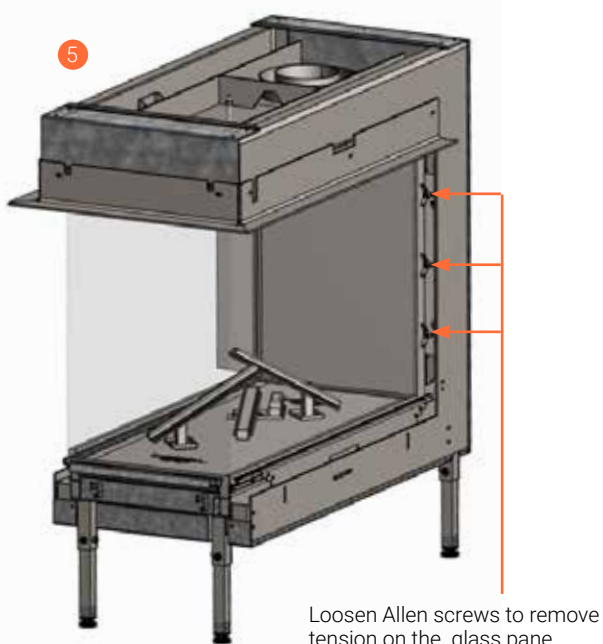
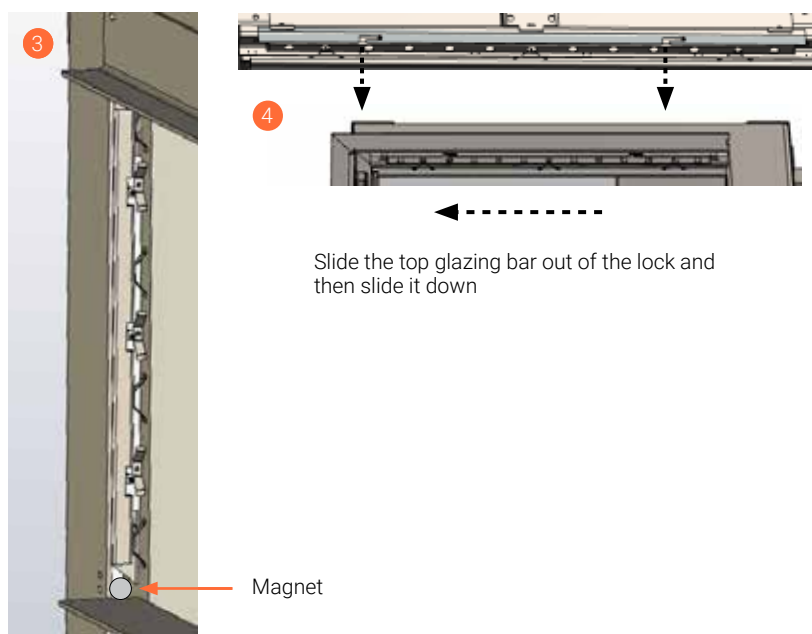


# Appendix 8 FIGURES PLACING OR REMOVING GLASS PANES

Trimline 83 Room Divider DB



### BRACKET



Use the suction cup to take out the glass pane.

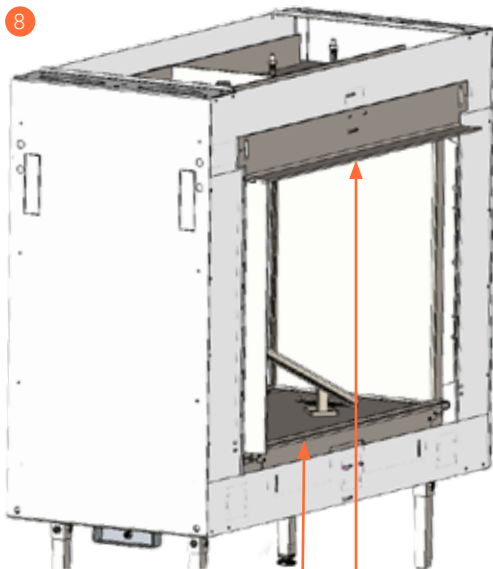
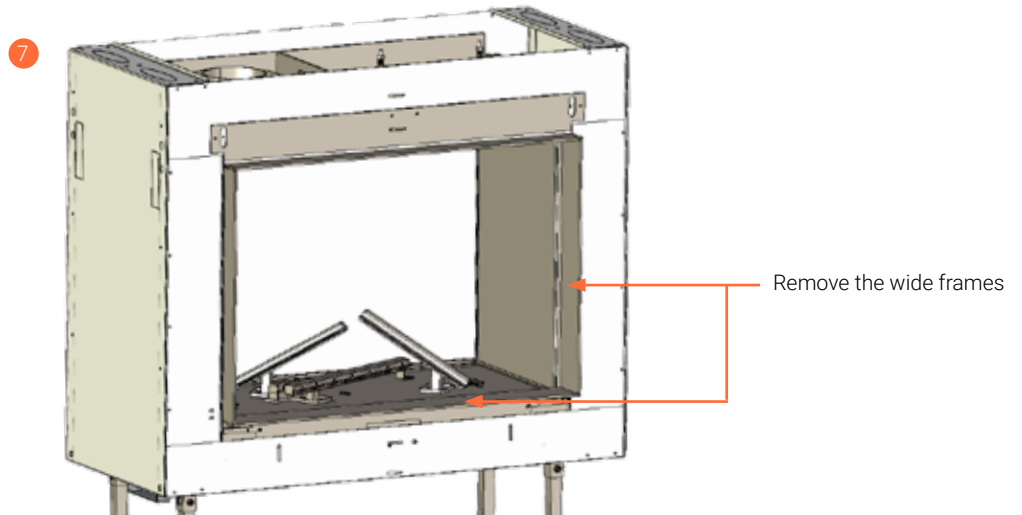
- 1 Move the glass pane towards you and hold it.
- 2 Then slide it to the side. The glass pane is now free.
- 3 Push the glass pane up slightly.

Pull the pane towards you from the bottom and carefully set it aside.

**NOTE**  
Take out with care to ensure the corners are not damaged.

# Appendix 8 CONTINUED

## Trimline 83 Tunnel DB



- Disassemble the glazing bars:
- Remove the side glazing bars by sliding the quick release. **9**
  - The top and bottom glazing bars can be removed in the same way as the Room Divider.
  - Then take out the lower strip, upwards.
  - There is a small hole to use a tool such as a thin screwdriver to flip up the strip.
  - At the top is a strip with holes. Slide it to the side and then down to take out the strip.
  - Slide the glass pane up using the supplied suction cup and pull the bottom towards you to slowly remove the glass pane.
  - The glass pane can be replaced in reverse order.
  - Remember to put the springs that push on the back of the glass under tension so that there is less chance of the glass creeping. The smallest glass pane is then already mounted.

Push the quick release up to remove the side glazing bar



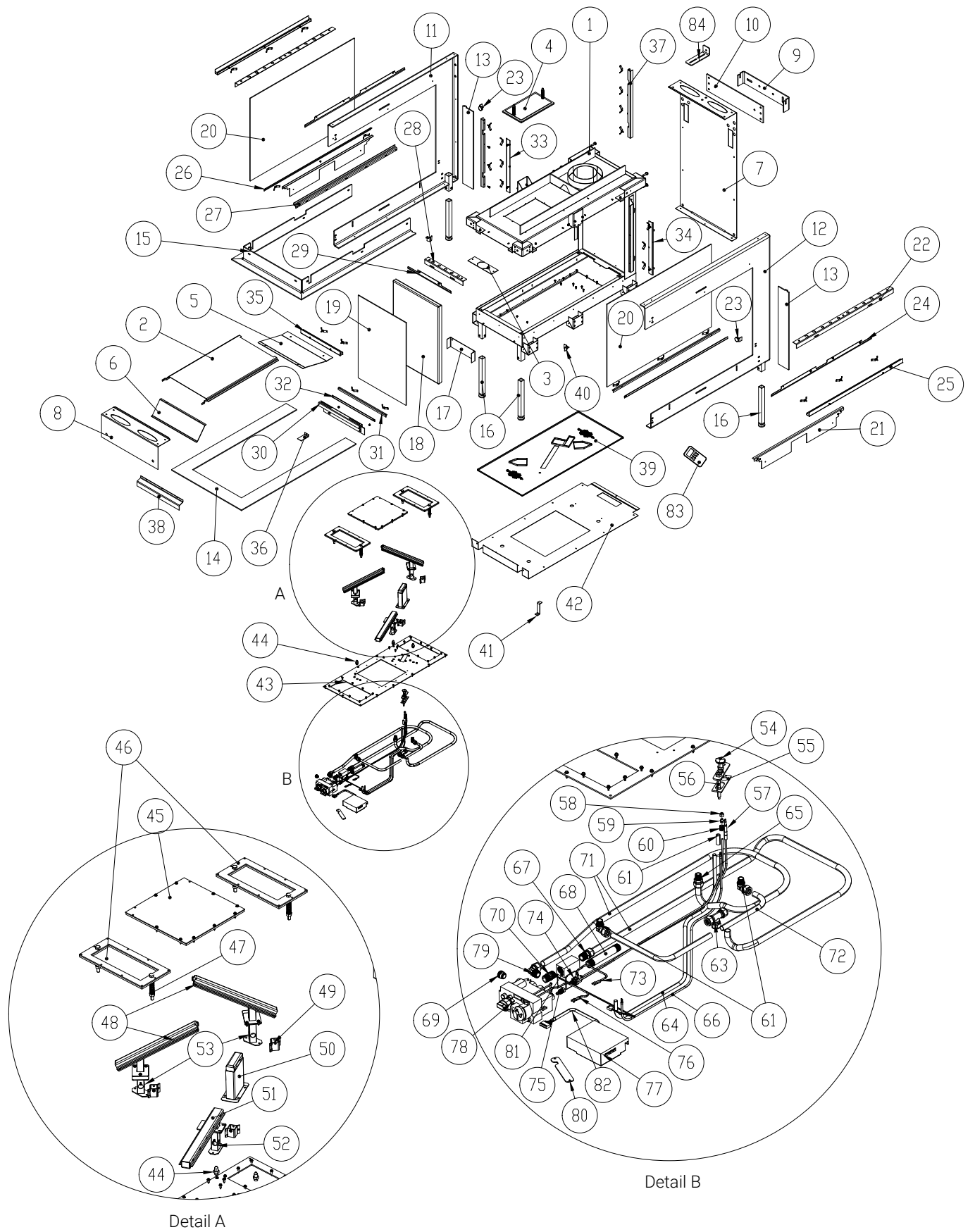
Same as with Room Divider. See Figure **4**.



Bottom glazing bar

# Appendix 9 EXPLODED VIEW AND SPARE PARTS

## Trimline 83 Room Divider DB



# Appendix 9 CONTINUED

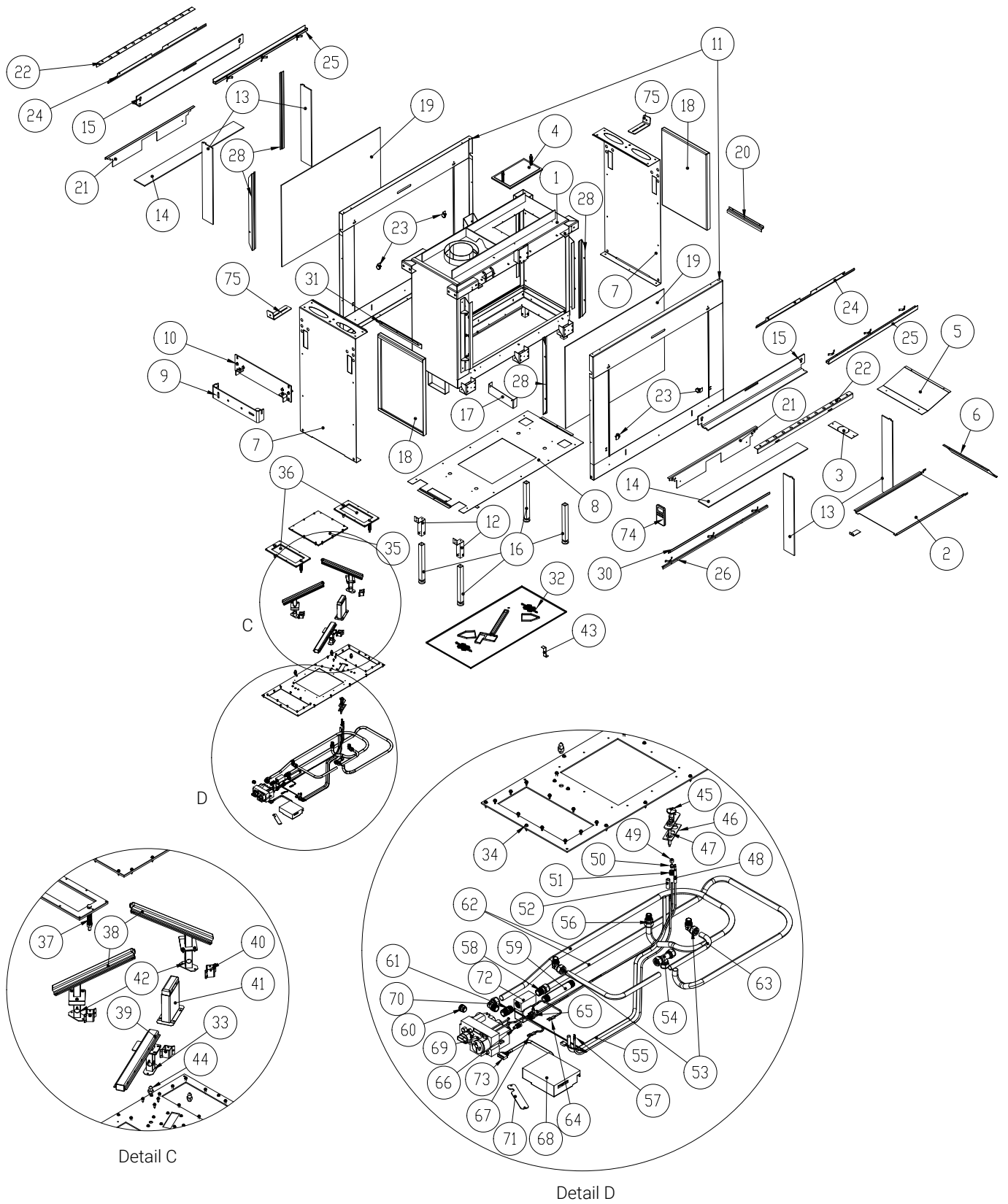
## Trimline 83 Room Divider

Pos no	Log burner standup TL 8360	Art. Number	Qty.
1	Verbrandingskamer TL 8360 RD	531184000000	1
2	Keerplaat TL 8360 RD	531184041000	1
3	Restrictie plaat 90 mm TL 8360 RD	531184051000	1
	Restrictie plaat 70 mm TL 8360 RD	531184050000	1
4	Explosie klep hatch TL 8360 RD	531184026000	1
5	Back deflector 8360 RD	531184014000	1
6	Front deflector 8360 RD	531184013000	1
7	Back conv. Plate TL 8360 RD	531184009000	1
8	Front conv. Plate TL 8360 RD	531184010000	1
9	Wall hanging bracket	531184029000	1
10	Wall hanging plate	531184015000	1
11	Side support left TL 8360 RD	531184017100	1
12	Side support right TL 8360 RD	531184034000	1
13	Vertical side trim TL 8360 RD	531184031000	2
14	Front bottom trims TL 8360 RD	531184030000	1
15	Top trims TL 8360 RD	531184032000	1
16	Stelpootkoker 25x25 1080	531080021000	4
17	Air diverter TL 8360 RD	531184016000	1
18	Back lamel TL 8360 RD	531184038000	1
19	Front glass	X	1
20	Side glass	X	2
21	Side bottom trims support TL 8360 RD	531184018000	2
22	Glasstrip side top holder TL 8360 RD	531184021000	2
23	Magnet bracket TL 8360	531181023000	2
24	Front seal bracket top TL 8360	531181035000	2
25	Glasstrip side top TL 8360 RD	531184004000	2
26	Clamping front TL 8360	531181039000	2
27	Front glass bracket TL 8360	531181033000	2
28	Glasstrip front top holder TL 8360 RD	531184020000	1
29	Side seal bracket top TL 8360	531181036000	1
30	Front bottom trims support TL 8360 RD	531184022000	1
31	Clamping front TL 8360 RD	531184040000	1
32	Side glass bracket TL 8360	531181034000	1
33	Clamping vertical left TL 8360 RD	531184035000	1
34	Clamping vertical right TL 8360 RD	531184036000	1
35	Glasstrip front top TL 8360 RD	531184003000	1
36	Keerplat bracket TL 8360 RD	531184019000	1
37	Glasstrip back side TL 8360 RD	531184005000	2
38	Walls bracket back TL 8360 RD	531184037000	1
39	Decoratie plaat TL 8360 RD	531184012000	1
40	Glass blockage TL 8360 RD	531184023000	2
41	Ground burner holder TL 8360 RD	531184033000	1
42	Bottom conv. Mantel TL 8360	531184011000	
43	Bodemplaat TL 8360	531181006000	1
44	Main injector	See gas sets	3
45	Cover led bracket TL 8360	531181016000	1
46	Explosie klep hatch TL 8360	531181026000	2
47	Explosie klep TL 8360	531181025000	2

Pos no	Log burner standup TL 8360	Art. Number	Qty.
48	Log burner standup TL 8360	531181007000	2
49	Beluchttingsbeugel 2x5 TL 8360	531181048000	3
50	Waakvlamhouder TL 8360	531181013000	1
51	Ground burner TL 8360 RD	531184008000	1
52	Ground burner bracket TL 8360	531181015000	1
53	Burner bracket TL 8360	531181014000	2
54	Pilot burner	64200432	1
55	Pilot burner gasket	64200434	1
56	Igniter dia 2,3 mm connection	64200884	1
57	Thermocouple 1500 mm SIT M9 (30)		1
58	Pilot injector no 30 SIT G30/31	641800272	1
59	Olive 4 mm pilotinjector	462000060	1
60	Nut 4 mm pilot injector		1
61	Igniter insulation sleeve	X	1
62	Compression knee 1/4"x12 mm	601200001	2
63	T fitting 12x12x11	601201090	1
64	Gesiliconiseerde glaskous 8 mm	729900324	1
65	Compression coupling 1/4"x12 mm	X	1
66	Ontsteekkabel 4 mm/1500 GV-60	621002040	1
67	Knelkoppeling 12 x 3/8"	601200307	1
68	Gasconnection 3/8" mains	X	1
69	GV30/60 plug 3/8"	X	1
70	GV60 solenoid adapter	641200330	1
71	Gastube flex burner 2x12 mm l= 1500 mm	601000820	2
72	Cooper pipe 12 mm	X	1
73	GV60 cable 500 mm thermocouple G60-ZKIRF/500	621000151	1
74	GV60 M9x1 thermocouple interrupter G60-ZUS09	642200224	1
75	GV60 olive/nut 4 mm G30-ZLZ04	642400278	1
76	GV60 cable 500 mm switch G60-ZSKLF/500	621000150	1
77	Receiver GV-60 Ecomax Wifi R	641204003	1
78	GV60 gasvalve GV60 M1-C5D3K1L	641200327	1
79	Inschr. Knie-koppeling 12x3/8"	601200135	1
80	Gasvalve holder	531181056000	1
81	GV60 DB solenoid GV-S60C/5	641200329	1
82	Gv60 multicable 8X G6R-C3	629900027	1
83	Handzender GV-60 Ecomax B6R-H8TL3PBD	641200984	1
84	Wall bracket	531181024000	1
Gassets, conversion gastype			
• Gasset 20			
• Gasset G25			
• Gasset G30/31			
Gasset contains			
• Main injector			
• Pilot injector			
• Low set adjustment screw			
• Premix bracket NG			
• Typeplate			

# Appendix 9 CONTINUED

## Trimline 83 Tunnel DB



# Appendix 9 CONTINUED

## Trimline 83 Tunnel DB

Pos no	Log burner standup TL 8360	Art. Number	Qty.
1	Verbrandingskamer TL 8360 RD	531185000000	1
2	Keerplaat TL 8360 RD	531184041000	1
3	Restrictie plaat 90 mm TL 8360 RD	531184051000	1
	Restrictie plaat 70 mm TL 8360 RD	531184050000	1
4	Explosie klep hatch TL 8360 RD	531184026000	1
5	Back deflector 8360 RD	531184014000	1
6	Front deflector 8360 RD	531184013000	1
7	Back conv. Plate TL 8360 RD	531184009000	2
8	Bottom conv. Mantle TL 8360 RD	531185011000	1
9	Wall hanging bracket	531184029000	1
10	Wall hanging plate	531184015000	1
11	Side cover L/R TL 8360 T	531184034000	2
12	Back legs suport TL 8360	531185052000	2
13	Vertical side trim TL 8360 RD	531184031000	4
14	Front bottom trims TL 8360 T	531185030000	2
15	Top trims TL 8360 T	531185032000	2
16	Stelpootkoker 25x25 1080	531080021000	4
17	Air diverter TL 8360 RD	531184016000	1
18	Back lamel TL 8360 RD	531184038000	2
19	Side glass	X	2
20	Walls bracket back TL 1180	531180441000	1
21	Side bottom trims support TL 8360 RD	531184018000	2
22	Glasstrip side top holder TL 8360 RD	531184021000	2
23	Magnet bracket TL 8360	531181023000	4
24	Front seal bracket top TL 8360	531181035000	2
25	Glasstrip side top TL 8360 RD	531184004000	2
26	Clamping front TL 8360	531181039000	2
27	Front glass bracket TL 8360	531181033000	2
28	Glasstrip back side TL 8360 T	531185050000	4
29	Keerplat bracket TL 8360 RD	531184019000	1
30	Side glass bracket TL 8360	531181034000	1
31	Walls bracket back TL 8360 RD	531184037000	1
32	Decoratieplaat TL 8360 RD	531184012000	1
33	Ground burner holder TL 8360 RD	531184033000	1
34	Bodemplaat TL 8360	531181006000	1
35	Cover led bracket TL 8360	531181016000	1
36	Explosie klep hatch TL 8360	531181026000	2
37	Eksplisie klep TL 8360	531181025000	2
38	Log burner standup TL 8360	531181007000	2
39	Ground burner TL 8360 RD	531184008000	1
40	Beluchttingsbeugel 2x5 TL 8360	531181048000	3
41	Waakvlamhouder TL 8360	531181013000	1
42	Burner bracket TL 8360	531181014000	2
43	Ground burner bracket TL 8360	531181015000	1

Pos no	Log burner standup TL 8360	Art. Number	Qty.
44	Main injector	See gas sets	3
45	Pilot burner	64200432	1
46	Pilot burner gasket	64200434	1
47	Igniter dia 2,3 mm connection	64200884	1
48	Thermocouple 1500 mm SiT M9 (30)		1
49	Pilot injector no 30 SiT G30/31	641800272	1
50	Olive 4 mm pilotinjector	462000060	1
51	Nut 4 mm pilot injector		1
52	Igniter insulation sleeve	X	1
53	Compression knee 1/4" x 12 mm	601200001	2
54	T fitting 12x12x11	601201090	1
55	Gesiliconiseerde glaskous 8 mm	729900324	1
56	Compression coupling 1/4" x 12 mm	X	1
57	Ontsteek kabel 4 mm/1500 GV-60	621002040	1
58	Knelkoppeling 12 x 3/8"	601200307	1
59	Gasconnection 3/8" mains	X	1
60	GV30/60 plug 3/8"	X	1
61	GV60 solenoid adapter	641200330	1
62	Gastube flex burner 2 x 12 mm l= 1500 mm	601000820	2
63	Cooper pipe 12 mm	X	1
64	GV60 cable 500 mm thermocouple G60-ZKIRF/500	621000151	1
65	GV60 m9x1 thermocouple interupter G60-ZUS09	642200224	1
66	GV60 olive/nut 4 mm G30-ZLZ04	642400278	1
67	GV60 cable 500 mm switch G60-ZSKLF/500	621000150	1
68	Receiver GV-60 Ecomax Wifi R	641204003	1
69	GV60 gasvalve GV60 M1-C5D3K1L	641200327	1
70	Inschr. Knie-koppeling 12 x 3/8"	601200135	1
71	Gasvalve holder	531181056000	1
72	GV60 DB solenoid GV-S60C/5	641200329	1
73	GV60 multicable 8X G6R-C3	629900027	1
74	Handzender GV-60 ecomax B6R-H8TL3PBD	641200984	1
75	Wall bracket	531181024000	1
Gaskets, conversion gastype			
• Gasset 20			
• Gasset G25			
• Gasset G30/31			
Gasset contains			
• Main injector			
• Pilot injector			
• Low set adjustment screw			
• Premix bracket NG			
• Typeplate			