

POD SERIES

FREESTANDING
FIRE PITS



Inspired by the shapes and forms of traditional pottery, Pod 40 and the smaller Pod 30 Fire Bowls bring a modern update to the classic fire pit. Their smokeless fire provides a warm and inviting outdoor centerpiece to gather around and relax in front of no matter the season.

Finish

Available in a variety of Fluid concrete colours.



Natural



Graphite



Bone

Concrete Surround Options

Environmentally-Friendly

Bioethanol fireplaces use an environmentally-friendly, renewable energy source that burns clean and delivers warming heat. You and your guests will enjoy the ambiance and tranquility of a real fire, without the hassles of burning real wood - no more embers, ash, and soot to clean up.

Global Compliance

This model complies with existing standards in the USA, Europe, UK and Australia. UL Listed, EN 16647 BSI Certified ACCC Safety Mandate compliant.

To comply with EN 16647 the Indoor Safety Tray and AB8 Burner Efficiency Ring must be installed before operating indoors.

Optional Fire Screen

Pair with a toughened glass fire screen, which stabilises the flame in windy conditions.

Versatile and Incredibly Durable

EcoSmart portable fireplaces are versatile, incredibly durable, and are constructed of weather resistant materials. These appliances are designed to look great for years, and will perform admirably through all four seasons.

Burner Colours

Available with a Stainless Steel or Black Burner.

Available in Two Sizes

The Pod Series are available in two sizes – Pod 30 and Pod 40 – and are striking either standalone or together.

Quick and Easy

With no installation or building works required, simply unpack, put into position, and off you go.

Included Accessories

Optional Accessories



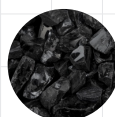
Jerry Can



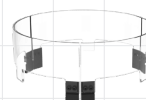
Lighting Rod + Lighter



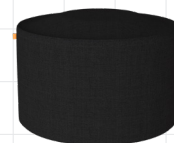
AB8 Burner Efficiency Ring



Black Glass Charcoal



Fire Screen



Outdoor Covers (Protective and Storage options available)



Tank (Concrete and Teak finish available)

Disclaimer: All product specifications and data are subject to change without notice and believed to be correct at the time of publication. MAD Design Group (MDG), its affiliates, agents, and employees, and all persons acting on its or their behalf (collectively, "MAD Design Group"), disclaim any and all liability for any errors, inaccuracies or incompleteness contained herein or in any other disclosure relating to any product. MDG disclaims any and all liability arising out of the use or application of any product described herein or of any information provided herein to the maximum extent permitted by law. The product specifications do not expand or otherwise modify MDG's terms and conditions of purchase, including but not limited to the warranty expressed therein, which apply to these products. No license, express or implied, by estoppel or otherwise, to any intellectual property rights is granted by this document or by any conduct of MDG. Customers using or selling MDG products not expressly indicated for use in such applications do so entirely at their own risk and agree to fully indemnify MDG for any damages arising or resulting from such use or sale. Please contact authorised personnel from MDG to obtain written terms and conditions regarding products designed for such applications. Images are indicative only.

Pod 40



Application	Outdoor and Indoor ¹	
Materials	Fluid Concrete, Grade 304 Stainless Steel Burner	
Weight (approx)	50.3kg [110.6lbs] Weight includes burner and black glass charcoal.	
Concrete SKU's	<div style="display: flex; flex-direction: column; gap: 5px;"> <div> Natural</div> <div> Bone</div> <div> Graphite</div> </div>	<div style="display: flex; flex-direction: column; gap: 5px;"> <div>ESF.5.O.PD4.NA</div> <div>ESF.5.O.PD4.BO</div> <div>ESF.5.O.PD4.GH</div> </div>

BURNER INFORMATION*

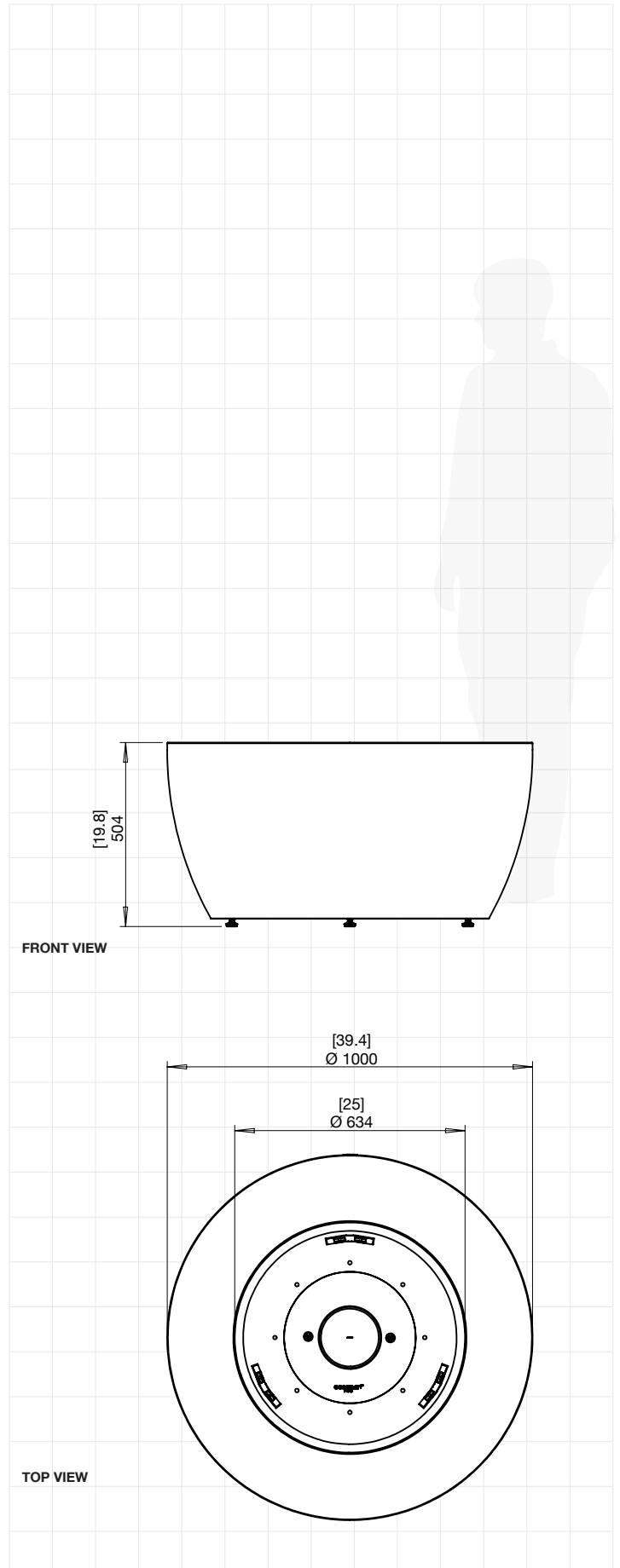
AB8 Burner	Without Efficiency Ring	With Efficiency Ring (EN Compliant)
Heats on Average (when used indoors)	Over 60m ² [645f ²]	Over 30m ² [322.9f ²]
Burn Time (approx)	7 - 11 hours	9 - 11 hours
Fuel Type	e-NRG Bioethanol	
Fuel Capacity	8 Litres [2.1 Gallons]	
Minimum Room Size	116 cubic metres [4096 cubic feet] per fireplace.	
Colours	Stainless Steel or Black	

*These values are indicative only and may vary depending on the model purchased, installation, and the seasonal resource used to manufacture e-NRG. This model comes with fixing brackets for permanently locating into a fixed position.

¹For Indoor Use, additional parts are required. Your chosen application is the ONLY application the model can be used in due to modified configuration of the model. Please advise your Sales Representative at time of purchase so that the product can be configured accordingly.

Global Compliance

This model complies with existing standards in the USA, Europe, UK and Australia. UL Listed, EN 16647 BSI Certified ACCC Safety Mandate compliant. ¹To comply with EN 16647 the Indoor Safety Tray and included Burner Efficiency Ring must be installed before operating indoors.



FOR MORE INFORMATION PLEASE REFERENCE THE CLEARANCE & INSTALLATION MANUAL

Disclaimer. All product specifications and data are subject to change without notice and believed to be correct at the time of publication. MAD Design Group (MDG), its affiliates, agents, and employees, and all persons acting on its or their behalf (collectively, "MAD Design Group"), disclaim any and all liability for any errors, inaccuracies or incompleteness contained herein or in any other disclosure relating to any product. MDG disclaims any and all liability arising out of the use or application of any product described herein or of any information provided herein to the maximum extent permitted by law. The product specifications do not expand or otherwise modify MDG's terms and conditions of purchase, including but not limited to the warranty expressed therein, which apply to these products. No license, express or implied, by estoppel or otherwise, to any intellectual property rights is granted by this document or by any conduct of MDG. Customers using or selling MDG products not expressly indicated for use in such applications do so entirely at their own risk and agree to fully indemnify MDG for any damages arising or resulting from such use or sale. Please contact authorised personnel from MDG to obtain written terms and conditions regarding products designed for such applications. Images are indicative only.

Pod 30



Application	Outdoor and Indoor ¹	
Materials	Fluid Concrete, Grade 304 Stainless Steel Burner	
Weight (approx)	39.3kg [86.4lbs] Weight includes burner and black glass charcoal.	
Concrete SKU's	<div style="display: flex; flex-direction: column; gap: 5px;"> <div> Natural</div> <div> Bone</div> <div> Graphite</div> </div>	<div style="display: flex; flex-direction: column; gap: 5px;"> <div>ESF.5.O.PD3.NA</div> <div>ESF.5.O.PD3.BO</div> <div>ESF.5.O.PD3.GH</div> </div>

BURNER INFORMATION*

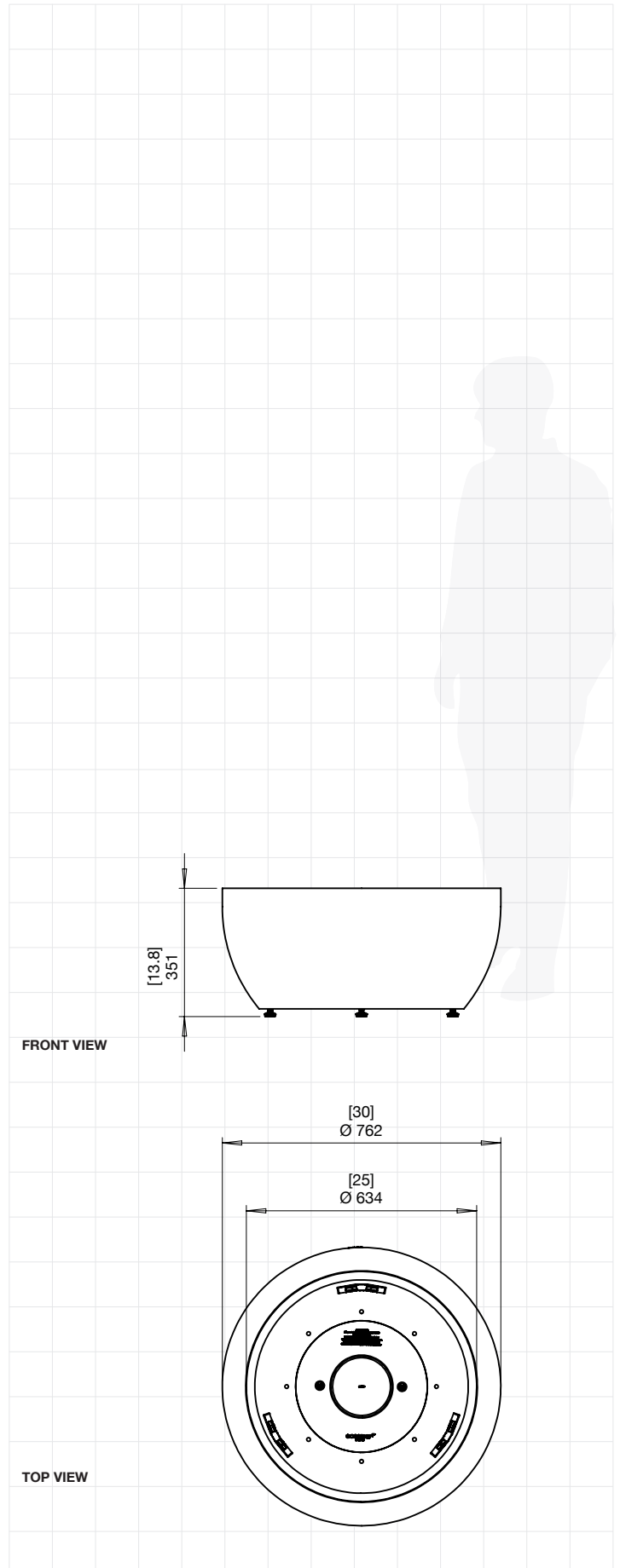
AB8 Burner	Without Efficiency Ring	With Efficiency Ring (EN Compliant)
Heats on Average (when used indoors)	Over 60m ² [645f ²]	Over 30m ² [322.9f ²]
Burn Time (approx)	7 - 11 hours	9 - 11 hours
Fuel Type	e-NRG Bioethanol	
Fuel Capacity	8 Litres [2.1 Gallons]	
Minimum Room Size	116 cubic metres [4096 cubic feet] per fireplace.	
Colours	Stainless Steel or Black	

*These values are indicative only and may vary depending on the model purchased, installation, and the seasonal resource used to manufacture e-NRG. This model comes with fixing brackets for permanently locating into a fixed position.

¹For Indoor Use, additional parts are required. Your chosen application is the ONLY application the model can be used in due to modified configuration of the model. Please advise your Sales Representative at time of purchase so that the product can be configured accordingly.

Global Compliance

This model complies with existing standards in the USA, Europe, UK and Australia. UL Listed, EN 16647 BSI Certified ACCC Safety Mandate compliant. ¹To comply with EN 16647 the Indoor Safety Tray and included Burner Efficiency Ring must be installed before operating indoors.



FOR MORE INFORMATION PLEASE REFERENCE THE CLEARANCE & INSTALLATION MANUAL

Disclaimer: All product specifications and data are subject to change without notice and believed to be correct at the time of publication. MAD Design Group (MDG), its affiliates, agents, and employees, and all persons acting on its or their behalf (collectively, "MAD Design Group"), disclaim any and all liability for any errors, inaccuracies or incompleteness contained herein or in any other disclosure relating to any product. MDG disclaims any and all liability arising out of the use or application of any product described herein or of any information provided herein to the maximum extent permitted by law. The product specifications do not expand or otherwise modify MDG's terms and conditions of purchase, including but not limited to the warranty expressed therein, which apply to these products. No license, express or implied, by estoppel or otherwise, to any intellectual property rights is granted by this document or by any conduct of MDG. Customers using or selling MDG products not expressly indicated for use in such applications do so entirely at their own risk and agree to fully indemnify MDG for any damages arising or resulting from such use or sale. Please contact authorised personnel from MDG to obtain written terms and conditions regarding products designed for such applications. Images are indicative only.