

Trimline 70 SL 1023

INSTALLATION INSTRUCTIONS



CONTENTS

1	INSTALLATION INSTRUCTIONS.....	3
1.1	General instructions.....	3
2	INSTALLING THE UNIT.....	3
2.1	Connection to the gas pipes.....	3
2.2	Preparation and placement.....	3
2.3	Installing the unit.....	4
2.4	Installation.....	5
3	INSTALLATION OF THE ADDITIONAL HIGH-GLOSS BLACK GLASS WALLS OR STONE MOTIF WALLSET.....	7
3.1	Mounting instructions for the optional high-gloss black glass set.....	7
4	INSTALLING THE CERAMIC WOOD SET.....	7
5	TECHNICAL DETAILS GV60.....	9
6	INSTRUCTIONS FOR THE MERTIK MAXITROL GV60.....	10
7	GAS-TECHNICAL SPECIFICATIONS.....	11
8	CONCENTRIC PATHWAYS.....	13
9	CONCENTRIC FLUE SYSTEM.....	14
9.1	Components of the concentric flue system.....	14
9.2	Indirect/direct façade connection if applicable.....	14
9.3	Installation instructions regarding existing flues.....	14
9.4	Parts.....	15
9.5	Installation.....	15
10	PASS-THROUGH POSITIONS AND FUNCTION CORRECTLY.....	16
11	CLEANING AND MAINTENANCE.....	17
12	QUICK REFERENCE GUIDE FOR FAULTSSEARCH FOR ENCLOSED GAS FIRES USING MERTIK GV60 GASCONTROL.....	20
]Appendix 1	DIMENSIONAL DRAWINGS.....	22
Appendix 2	INSTALLATION EXAMPLES REGARDING FLUES.....	23

thermoCet International B.V.
Laagerfseweg 27
3931 PC Woudenberg
The Netherlands
www.trimlinefires.com



Modifications and printing errors are reserved.

V41120



1 INSTALLATION INSTRUCTIONS

NOTICE

The installation may only be carried out by an authorised person.

1.1 General instructions

- The gas fireplace must be installed, connected and inspected as a closed unit by a qualified fitter, according to national, regional, and local standards and regulations.
- The flue tube system and the outlets in the outer wall or roof face must also meet the requirements outlined in the applicable standards and regulations.
- The temperature of the walls and shelves near the side and back of the unit may not be more than 80 K higher than the temperature of the environment. For example, ambient temperature 20 °C plus 80 K gives a maximum temperature of 100 °C.
- The unit has been approved in combination with the concentric flue system THC/Holetherm CC Ø100/Ø150mm in accordance with European CE standards for gas units, and may therefore only be applied with this system.
- The unit needs to be inspected by the fitter for local gas distribution (gas type and gas pressure) as indicated on the identification plate.
- The instructions are only applicable if the relevant country code is stated on the unit.
- If this is not the case, the gas technical information for the relevant country needs to be consulted and modifications discussed with the manufacturer.
- There will be air in the gas pipes when the unit is first used. The gas pipes therefore need to be vented first.
- Ignite the heater according to operating instructions and check whether the burner flame is uniform. After the unit

has been used for the first time, any deposits resulting from convection-curing of the unit must be removed from the glass pane using a glass cleaner for heaters.

Distance from flammable materials

A distance of 1000mm must be maintained from the front, side and top of the unit to curtains, coverings and fabrics, and/or other combustible material unless otherwise stated in this instruction.

Distance to non-flammable materials

The unit needs to be placed a minimum distance of 10mm from the wall unless stated otherwise in these instructions.

WARNING

- Gas fires become hot when they are in operation. After installing the appliance the glass surface is considered active zone. The glass surface can become very hot!
- Accordingly, care should be taken, for example children and needy in the vicinity of burning fires are banned. Gas fires must not be on or against flammable materials are placed (curtains etc.).
- Never install the unit against or within a flammable wall.

NOTICE

- Construction material for fireplaces and mantles etc. or built-in situation, must be made of non-combustible material. This also applies to floors and ceilings. Never use flammable materials near the unit in compliance with the above requirements.
- If in doubt, consult your dealer.

2 INSTALLING THE UNIT

NOTICE

Before putting the unit in place, we recommend you first read Chapter 9 *Concentric flue system*.

2.1 Connection to the gas pipes

You can determine where the gas pipes will be placed, dependent on the layout. Ensure control equipment is not twisted during installation and there is no excessive tension. Accessibility of various connection points in relation to components needs to be maintained. After installation, check the connection seals are gastight. Use a 3/8" gas tap with a connector. Ensure the gas pipes are free of dirt and soil or sand and that the gas and combustion controls in the various components and all appliance functions operate correctly. The gas supply should only be connected up when the electricity supply is disconnected. Failing to do so may cause damage to the gas control equipment.

2.2 Preparation and placement

The fireplace is delivered in a crate and lies in the packaging on its back. **Do not tilt the packaging.** Remove the packaging and check the unit for possible damage.

NOTICE

- Place the unit on a stable surface.
- Do not place the unit on its side.
- Put the unit in its place of destination.

The packaging contains the following components:

- Unit
- Remote control
- Log set
- Battery holder
- 4 x AA battery
- 2 x AAA battery
- Installation box
- Finishing plate
- Installation manual
- User manual

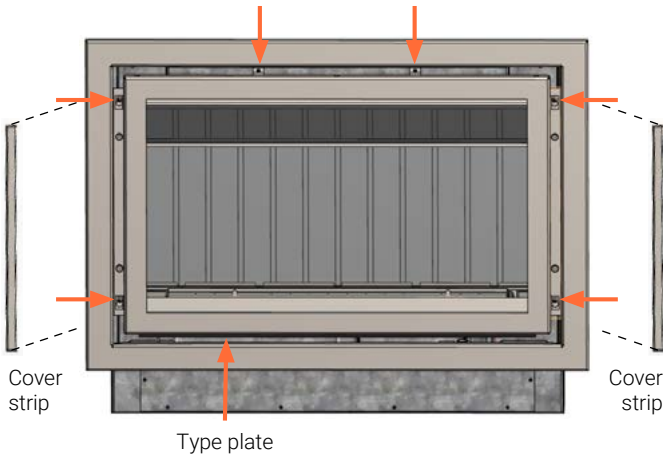
Before removing the unit from the packaging, first check whether everything is whole and complete. You must then read and understand the installation manual before starting the installation.

To assemble the unit, proceed as follows:
Disassemble the frames.

Remove frame with glass pane

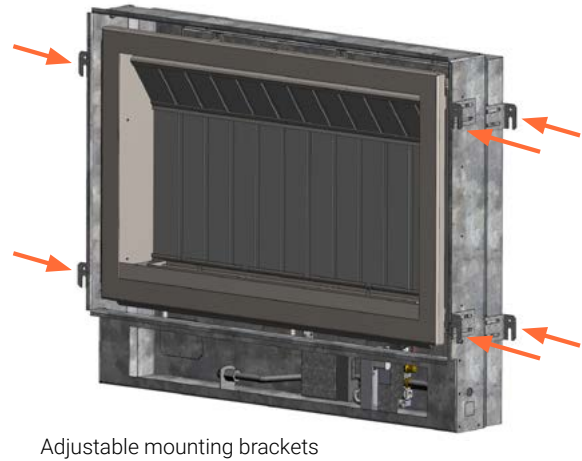
There are cover strips on the left and right. Take these strips out and you will see the assembly of the frame with glass pane.

- Partially loosen the 2 bolts on the left, two bolts on the top and the two bolts on the right.
- Slightly slide the frame and glass pane upwards and move it forwards.



2.3 Installing the unit

The unit can now be put into place. The unit has eight mounting brackets, four on the frontside and four on the backside. Depending on the situation the brackets on the front or on the rear can be used. The unit must be hung on a refractory wall. (Otherwise fit the unit in the Integrated Heat Box, which can be purchased separately.)



NOTICE

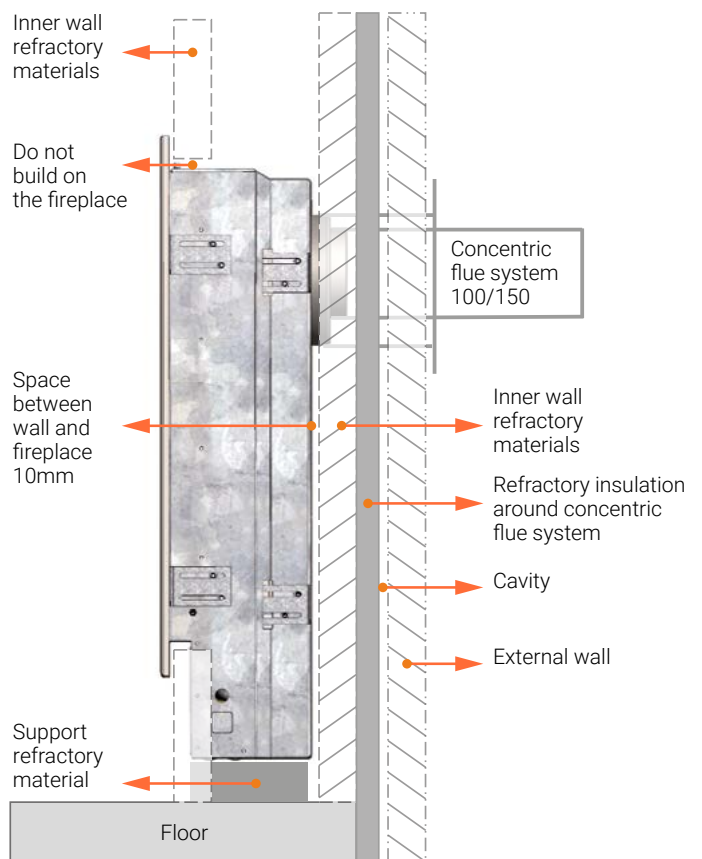
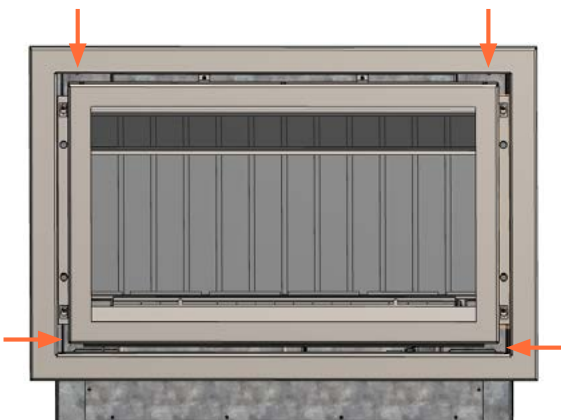
- The paint and the cord can stick together at first. It is therefore possible that it may be more difficult to remove the glass pane if this is the first time it has been done after burning.
- Our advice is to remove all the screws and take the glass pane off completely after the first use in order to remove the glass pane. A second recommendation is to remove the frame and glass pane after the first burn and clean the glass pane. The cleaning of the glass pane is important because otherwise the deposit will burn on it and it will not be possible to clean it properly. This also applies when working with Black glass wandset and/or AR glass.

Finishing example

The unit can be built in flush with refractory materials. There must be no hindrance to the radiant heat at the front of the unit. For more information, see Paragraph 1.1 *General regulations*.

Remove the cover frame

- First remove the frame with glass pane.
- There are then four Allen bolts to be loosened.
- Slide the frame forward to release it.



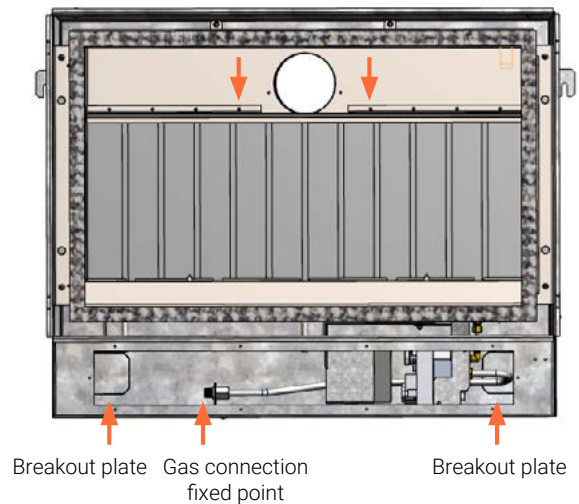
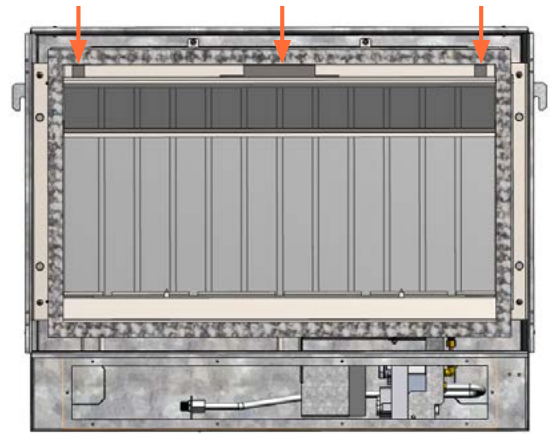
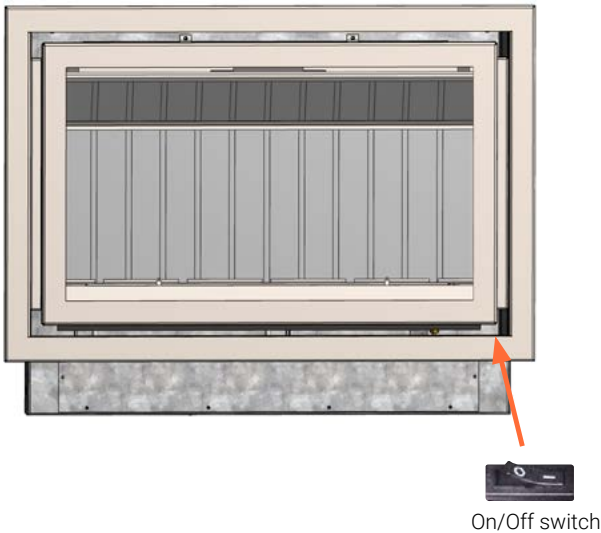
NOTICE

- Ensure the unit is not tightly enclosed to take expansion of the unit into account.
- Ensure there is no flammable material overhanging in front above the unit. A windowsill for example. The convection air is very hot.

Use

You are advised to read the user manual before use.

A 1-0 switch has been installed to turn the fireplace off in case of emergencies. This switch can also be used during the summer to save the batteries.



2.4 Installation

Flue gas connection

This unit has a rear outlet. A recess must be made in the refractory wall. The wall pass-through can then be shortened to the correct length and placed on the outlet of the unit. For further information see Chapter 9 *Concentric flue system*.

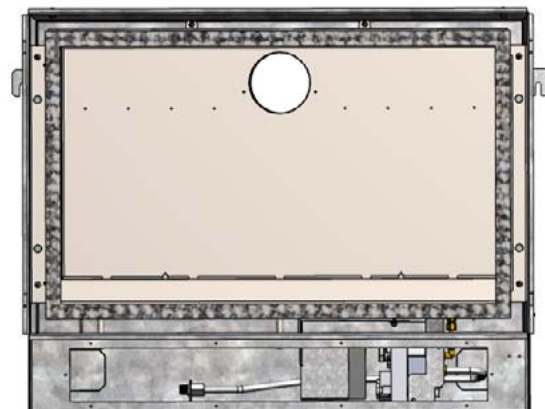
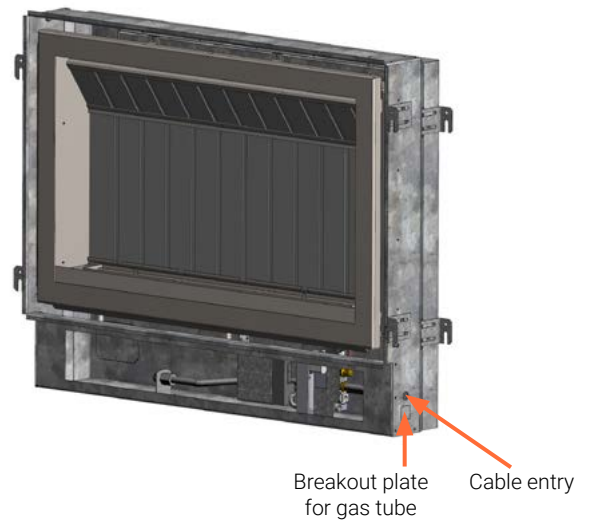
Remove the baffle plate

The baffle plate is disassembled by means of three Allen bolts at the top. Loosen these bolts and then tilt the plate and holder forward. Access to the flue gas outlet is now available. There are two Parker screws at the flue gas outlet where the restriction plate can be mounted in case of a longer pathway. 70mm restriction.

Connecting the gas

There is a separate removable panel at the front of the unit to ease the installation of the gas pipe. The unit has a fixed point to which the gas pipe must be connected. There are break plates in the unit that can be removed, depending on the position of the supply gas line.

Gas control system GV60 see Chapter 5 *Technical data GV60*.

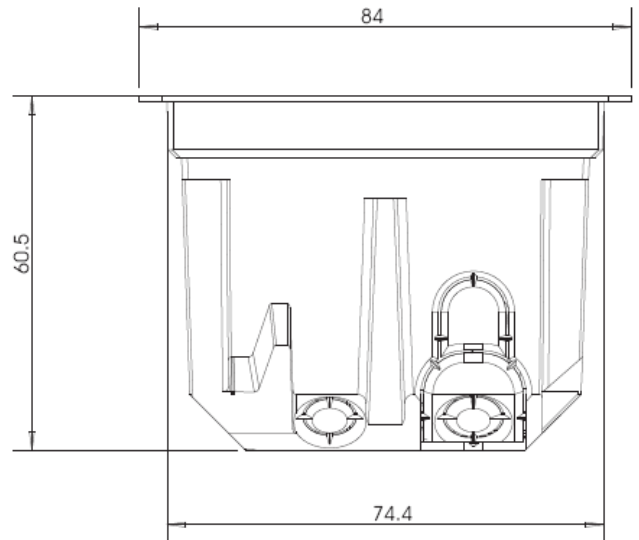


NOTICE

- Ensure that there is a gas valve in the gas circuit and that it is accessible.
- The fixed point of the gas pipe may not be taken apart. Otherwise, the risk is that the burner base with technical equipment cannot be removed from the unit.

Now the unit has been connected to the gas, a check can be carried out. The check can be carried out without the glass pane being in place. Check the following points:

- Ensure the pipe is clean before the unit is switched on.
- Venting the pipe.
- See if the fireplace switches on normally. There may be some air in the pipeline at first; this may cause a delay to the start-up. (Therefore, always start with no glass pane fitted.)
- Inspect all gas-carrying parts for leaks while the unit is burning.
- The blocks can be put in place in accordance with the images shown in Chapter 4 *Placing the ceramic wood set*.
- If there is doubt about the supply pressure and burner, see Chapter 11 *Cleaning and maintenance*.
- Now the fireplace has been technically connected and checked, the installation can be completed.



Replacing the batteries

There is a battery holder in the battery box with cover plate. This includes 4 x AA batteries. When the batteries are fully discharged, the cover plate can be disassembled and the batteries replaced.

NOTICE

Do not connect a 9-Volt block. This will cause the electronics to fail.

There are 2 AAA batteries in the hand-held remote. The hand-held remote indicates when it is empty.



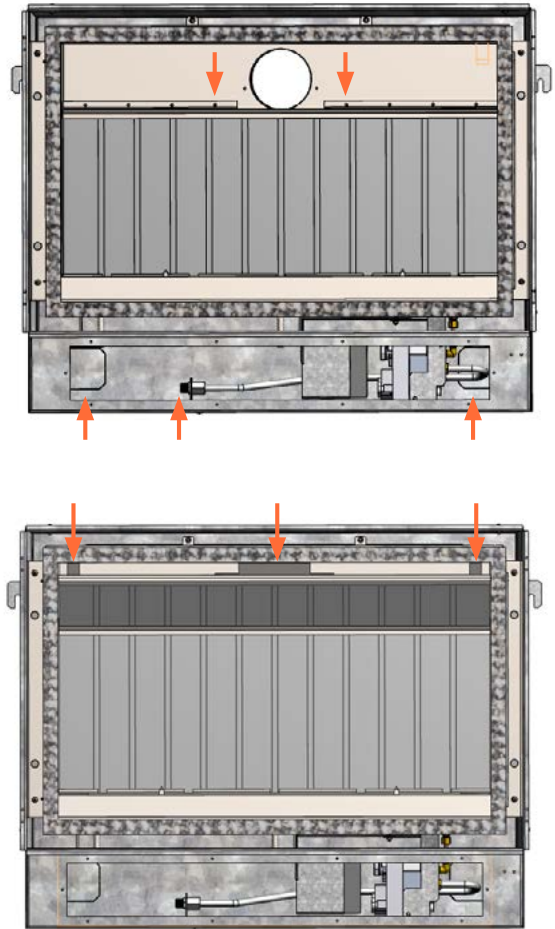
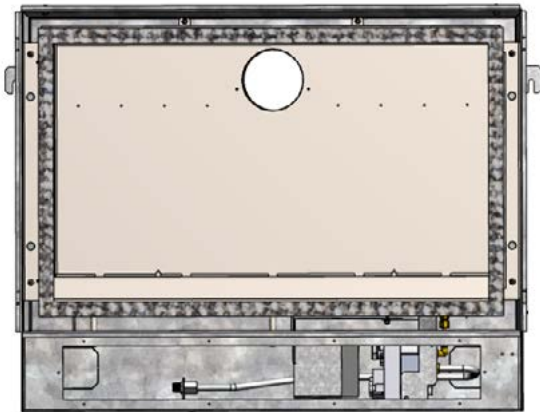
The battery box is used in the reconstruction of the fireplace. The battery holder is placed in here. A 3-metre cable goes from the battery holder to the receiver. (See Chapter 5 *Technical data GV60*)

3 INSTALLATION OF THE ADDITIONAL HIGH-GLOSS BLACK GLASS WALLS OR STONE MOTIF WALLSET

NOTICE

If you have opted for a high-gloss black glass, stone pattern, you must first assemble it before you put the wood set in place.

3.1 Mounting instructions for the optional high-gloss black glass set



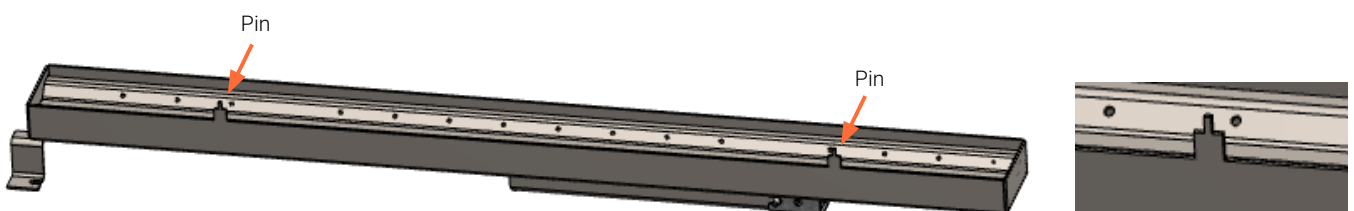
4 INSTALLING THE CERAMIC WOOD SET

Place the glow material on the burner.

Place the ceramic blocks in sequence, such as shown in images 1 through 8.

NOTICE

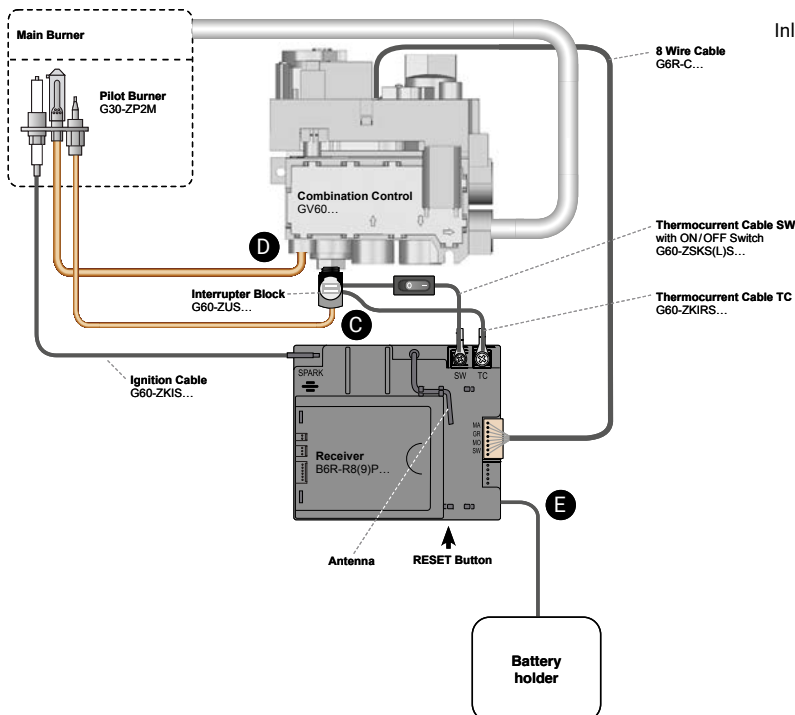
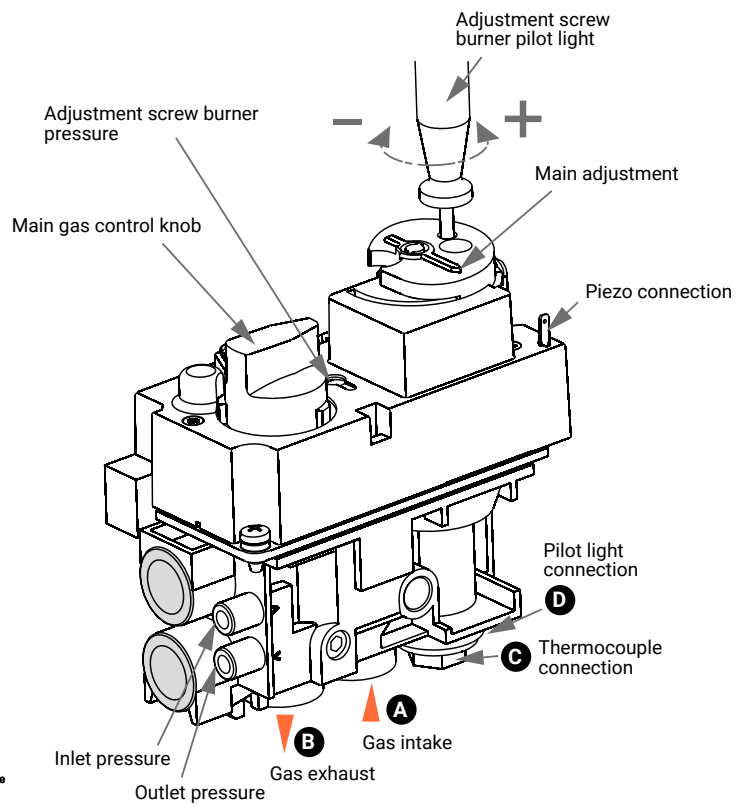
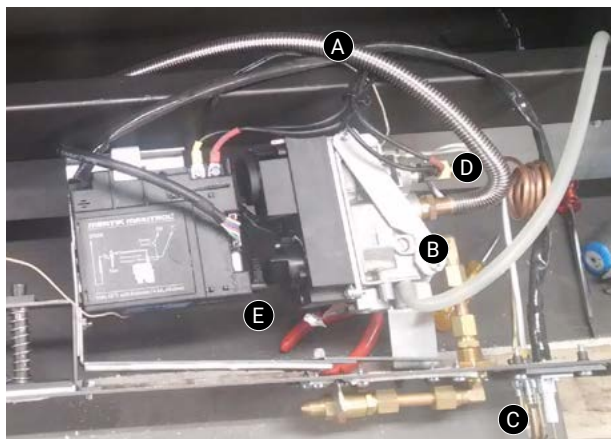
- No glow materials on the grid, see Figure 1 on the next page. 1
- In Figure 3, the pins are located in the logs. 3
- Always ensure the pilot light remains free of any material.





5 TECHNICAL DETAILS GV60

Gas control block type	Mertik GV60 M1
Automatic ignition control type	B6R-R8P (WiFi Ready)
Ignition	Remote control and Piezo ignition
Gas connection	3/8" (External) A = Gas inlet B = Gas burner outlet C = Thermocouple connection D = Pilot light burner connection E = Battery holder power supply cable
Unit category	C11-C31-C91
Pilot	Mertik G30-ZP2M-L
Combustion gas outlet and combustion air inlet	Concentric: Ø100/Ø150mm



⚠ WARNING
Sealed parts must not be adjusted.



6 INSTRUCTIONS FOR THE MERTIK MAXITROL GV60

⚠ WARNING

Ensure the fuel supplied to the unit is clean and free from particles and moisture.
The unit must not be turned on if the glass pane(s) is not present and/or is broken.

Before a gas supply pipe (new or existing) is connected to the main gas pipe at the gas meter and to the gas control block of the unit, clean and dry compressed air needs to have been blown through it. Copper and aluminium pilot light pipes that have been cut must be deburred and blown clean before they are connected.

Heat, moisture and dust are a threat to all electronic components

Protect the electronic gas control **until** all construction, plastering and paintwork has been completed. If you cannot avoid this work, then protect the control against dirt and moisture penetration by covering it with plastic film for instance.

⚠ WARNING

Electronic components become permanently faulty when they are exposed to temperatures higher than 60°C. Normal AA batteries will crack open at temperatures >54°C and the battery contents will damage the electronic switches below. Batteries have the longest life span at <25°C. At temperatures >50°C this life span will only be approximately 23 weeks, which would make the use of the gas fireplace unnecessarily expensive.

Only install the gas control block and receiver as pre-installed at the factory.

Remember that components may have to be replaced or that repairs may have to be performed at a later date. This may prove to be more difficult if the control is installed in a different way to how we have described in instructions.

Only insert the batteries *after* the receiver, gas control block and pilot light set have been wired.

Premature connection to the power source can damage the electronics.

Ensure the ignition cable is not near the antenna wire and that they do not cross each other.

The high voltage released during ignition may damage the sensitive receiver circuit of the antenna. This could mean the unit becomes less responsive or totally unresponsive to commands from the handset.

🔧 NOTICE

- Do not tighten the contact breaker and the thermocouple connection too tightly on the gas control block.
- It is sufficient to tighten by hand and add a half a turn with an open-end spanner. Tightening too much will break the connection to the magnetic coil below and/or the insulation around the aluminium contact pin in the contact breaker. This may cause the magnetic coil to not open the gas supply to the pilot light and prevent the unit from functioning.

Prevent leakage of ignition spark to parts of the installation other than the ignition rod on the pilot light. Ensure the ignition cable is not in contact with the body or other metal parts. If a cable extension is used, ensure the connections have additional silicone insulation.

The receiver and the control units on the gas control block should be switched on to ensure automatic start-up via the manual transmitter.

The oval disc on the gas control block should be turned to the **ON** position. The **I/O** witch should be set to **I**. The ignition cable should be connected to the **SPARK** connection point on the receiver box.

The system's thermostat sensor is located inside the manual transmitter. The manual transmitter operates best at a distance of 2 or 3 metres away from the unit. Although communication occurs via shortwave radio signals, it is recommended that you place the hand-held transmitter in the line of sight of the gas unit, in a place where the user wishes to experience a pleasant temperature. Do not place the manual transmitter in direct sunlight or other warm locations. The thermostat measures the temperature and, accordingly, regulates the flame size of the gas unit.

🔧 NOTICE

- Sealed parts must not be adjusted, to do so would void the warranty.
- A waiting time of 5 minutes between each start attempt must be observed.

7 GAS-TECHNICAL SPECIFICATIONS

Type of indication(s)		Trimline 70 SL (1023)			
Unit type		C11, C31, C91			
Concentric extraction system		Holetherm CC 100-150			
Gas type		G25.3	G20/G25	G20	G20/25
Supply pressure in mBar		25	20	20	20/25
Country/Countries		NL	DE	AT/CH/CY/CZ/DK/EE/ES/FI/FR/GB/GR/HR/IE/IT/LT/LU/LV/NO/PT/RO/SE/SI/SK/TR	BE/FR
Category		I ₂ EK I ₂ (43.46-45.3 MJ/m ³)	I ₂ ELL	I ₂ H	I ₂ E ⁺
Primary air		2x5mm	2x5mm	2x5mm	2x5mm
Supply pressure	mBar	25	20	20	20/25
Burner pressure - high position	mBar	22	14.6	14.6	14.6/18.2
Burner pressure - low position	mBar	11.2	8.2	8.3	8.3/10.3
Injector orifice	Ø mm	1.8	1.8	1.8	1.8
Pilot light injector	CODE	272	272	272	272
Small position orifice	mm	1.8	1.8	1.8	1.8
Load Hs	kW	5.3	5/4.2	5	5
Hi load	kW	4.74	4.5/3.77	4.5	4.5
Gas consumption	m ³ /h	0.57	0.48/0.46	0.48	0.48
Nominal power - high position	kW	3.97	3.8/3	3.8	3.8
Nominal power - low position	kW	2.7	2.8/2.2	2.8	2.8
NOx Hs	mg/kWh	75.5	83/75	83	83
Efficiency class NE613		1	1	1	1
Useful return (NCV) system**					
For nominal heat output	%	83.7	83.7/81.4	83.7	83.7
For minimal heat output	%	81.3	80.5/79.5	80.5	80.5
Supplementary electricity consumption					
Nominal	kWh	0	0	0	0
Stand-by	kWh	0	0	0	0
Energy efficiency***					
Energy efficiency index	EEl	78	78/75	78	78
Energy label		C	C/D	C	C
NOx Hi	class	5	5	5	5

Heat output type/room temperature control	
Indirect heat functionality	No
Single stage heat output, no room temperature control	No
2 or more manually-adjustable stages, no control of the room temperature	No
With mechanical control of room temperature by thermostat	No
With electronic control of room temperature	Yes
With electronic control of room temperature plus day-time switch	Yes
With electronic control of room temperature plus week-time switch	Yes
Other control options	
Control of room temperature with presence detection*	Yes
Control of room temperature with open window detection*	Yes
With remote control option	Yes

* In combination with home automation

** Shortest system path

*** EU directive 2015-1186/1188

Type of indication(s)		Trimline 70 SL (1023)	
Unit type		C11, C31, C91	
Concentric extraction system		Holetherm CC 100-150	
Gas type		G30/31	G30
Supply pressure in mBar		(28-30)-37	30/50
Country/Countries		BE/CH/CY/CZ/ES/FR/GB/GR/IE/IT/LT/PT/SI/SK	NL/CH/CY/FR/GB/IT/LT/ SI/SK/AT/CH/DE/FR/SK/PL
Category		I ₃ ⁺	I ₃ B/P
Primary air		2x Ø8mm+1x Ø14mm	2x Ø8mm+1x Ø14mm
Supply pressure	mBar	(28-30)-37	30/50
Burner pressure - high position	mBar	23.1/29.3	23.1
Burner pressure - low position	mBar	9/11.5	9
Injector orifice	Ø mm	1	1
Pilot light injector	CODE	221	221
Small position orifice	mm	1	1.1
Load Hs	kW	4.3	4.3
Hi load	kW	4	4
Gas consumption	m ³ /h	0.124	0.124
Nominal power - high position	kW	3.3	3.3
Nominal power - low position	kW	2	2
NOx Hs	mg/kWh	72.5	72.5
Efficiency class NE613		1	1
Useful return (NCV) system**			
For nominal heat output	%	82.4	82.4
For minimal heat output	%	77.5	77.5
Supplementary electricity consumption			
Nominal	kWh	0	0
Stand-by	kWh	0	0
Energy efficiency***			
Energy efficiency index	EEl	76	76
Energy label		C	C
NOx Hi	class	5	5
Heat output type/room temperature control			
Indirect heat functionality		No	
Single stage heat release, no room temperature control		No	
2 or more manually-adjustable stages, no control of the room temperature		No	
With mechanical control of room temperature by thermostat		No	
With electronic control of room temperature		Yes	
With electronic control of room temperature plus day-time switch		Yes	
With electronic control of room temperature plus week-time switch		Yes	
Other control options			
Control of room temperature with presence detection*		Yes	
Control of room temperature with open window detection*		Yes	
With remote control option		Yes	

* In combination with home automation

** Shortest system path

*** EU directive 2015-1186/1188

8 CONCENTRIC PATHWAYS

Table of concentric pathways

Pathway	Illustration	X total in metres		Y total in metres		Restriction
		min*	max*	min*	max*	
x = vertical and y = horizontal						
1023						
Direct façade outlet G20/25.3/G30	A	0	0	0.5	0.5	No
Indirect façade outlet G20/25.3/G30	B	1	4	0.1	0.5	X - Y > 2 metres: 50mm
Roof pass-through without slope	C	2	9	0	0,5	See restriction provisions
Roof pass-through with 45° slope**	D	3	9	0	4	from X total - Y1+Y2 > 6 metres: 50mm
Roof pass-through with 90° slope***	E	3	9	0	2	from X + X1 - Y1+Y2 > 6 metres: 50mm

45 bend: calculation length 1 metres

90 bend: calculation length 2 metres

* Length including roof or exterior wall outlets. Always adhere to a starting length of 1 metre.

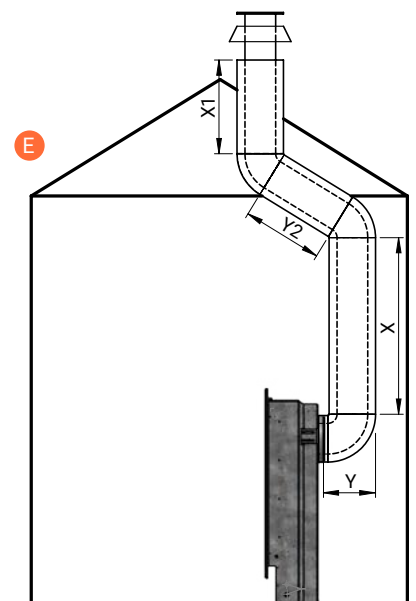
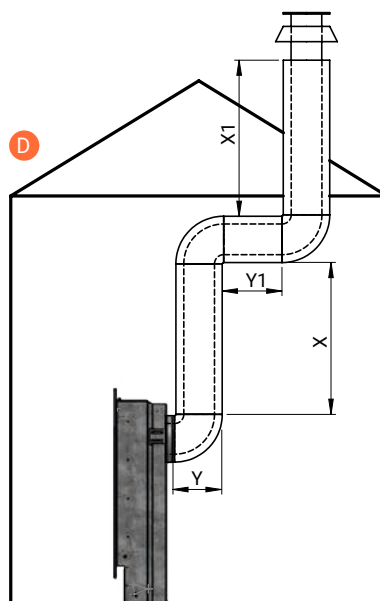
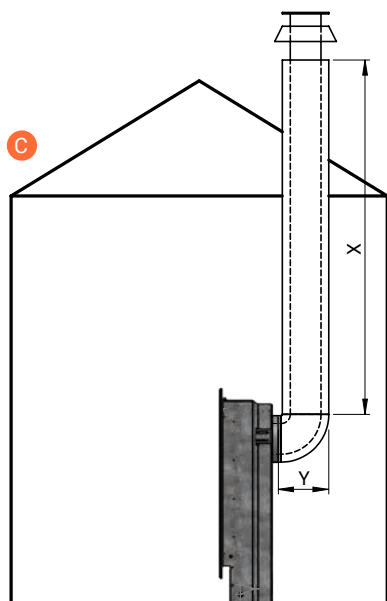
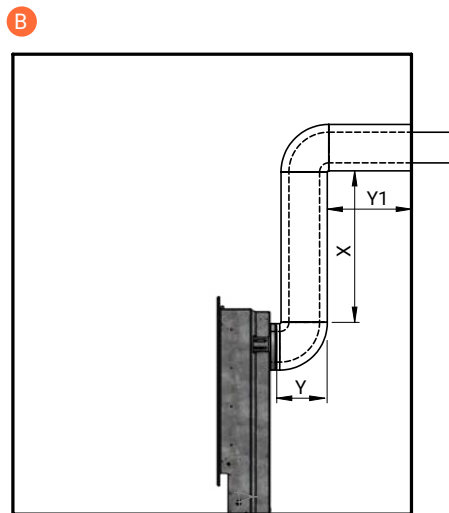
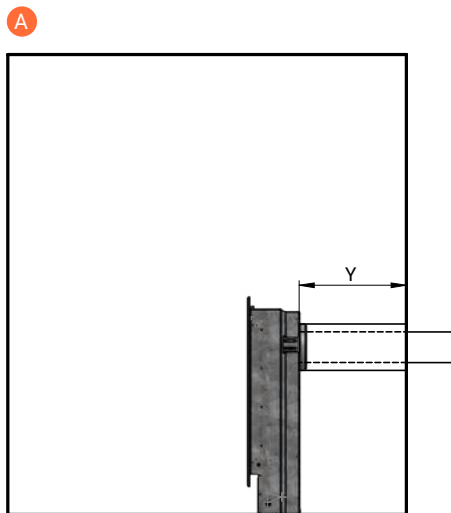
** Ratio vertical : horizontal X + X1 + X2: Y ≥ 2: 1

*** Ration vertical : horizontal X + X1: Y ≥ 2: 1

Restriction provisions all gas types

Vertical pathways

Distance	Baffle plate	Restriction
min 2-5m	Yes	50mm
5-9m	Yes	70mm
Direct façade outlet	Yes	No



9 CONCENTRIC FLUE SYSTEM

The concentric flue system is composed of an inner flue and an outer flue. These flues have been set up concentrically so the combustion gases will be discharged via the internal flue while the fresh combustion air is supplied via the gap between the inner and outer flues.

9.1 Components of the concentric flue system

Different connections are possible using the concentric flue system. These are:

Through the roof face and through the exterior wall

The pathway used for this system can be laid in different ways, but there are a few important conditions:

- The total allowed vertical flue length must not exceed 9 metres (the sum of the flue length and calculation lengths for the bends).
- 90° bends have a 2-metre horizontal calculation length.
- 45° bends have a 1-metre horizontal calculation length.
- The outlet can be installed at any point on the roof face or exterior wall (supply and discharge in an identical pressure area), but must meet applicable regulations.
- Flue pathways must not be insulated.

NOTICE

- Ensure the restriction plate is mounted in the correct manner, as indicated in these instructions.
- The correct restriction plate will provide the unit with the most optimal efficiency, flame image and combustion.
- Mounting an incorrectly placed restriction plate may cause malfunction of the unit.

9.2 Indirect/direct façade connection if applicable

CHAPTER 8

The outlet may also be installed above the exhaust in the wall, taking any hindrance to the surrounding area into consideration, in accordance with national, regional, local standards and regulations.

NOTICE

Ensure wind pressure on the outlet is not excessive, such as in locations with a balcony, flat roof, corners and very narrow alleys, etc., as this can negatively affect the performance of the unit.

- Make a recess in the façade of around 155mm when using Ø100-150 flues (keep an extra space of 50mm in a refractory façade around the outer tube) and fit the façade pass-through with the wall plate on the inside of the wall. The wall plate of the exterior façade pass-through must be sealed sufficiently against the wall on the outside to avoid moisture and/or flue gas leaks leaking into the living space. We recommend our clearance box use as a direct façade pass-through through a refractory façade.

- The flue should be encased if necessary. Even if the flue is to be installed along non-refractory materials, sufficient fire-resistant measures must be taken.
- Determine the position of the unit and outlet and begin construction of the flue with the connection on the unit, paying attention to the direction of installation and connecting the elements by means of clamp strips.
- The fitted pipe can be used between the bends or when connecting to the unit. If necessary, use wall brackets to support the flue.

Mounting using the roof pass-through option

- The flue outlet can be located at any random place on the roof face (supply and exhaust in identical pressure areas) and must meet the applicable rules and regulations.
- A roofing sheet for a flat roof or a roofing sheet lead for sloping tiled roofs can be used for a watertight duct. Use various bends for the slope, if required. The recess in the roof decking should be 5cm larger all around to ensure sufficient fire resistance.
- One needs to take into account the regulation regarding fire resistance between rooms (See national, regional, local standards and regulations). A casing of fireproof material (for example, 12mm Promatect fire-resistant plate) should be applied up to 25mm from the outer flue.
- Determine the position of the unit and the outlet and begin the construction of the flue with the connection on the unit (always 1 metre vertical first) pay attention to the direction of installation. The inner flue must be installed for draining purposes. Connect the elements using the clamping straps. Ensure all connections are gastight.
- A fitted pipe can be used between the bends or when making the connection to the unit and/or the roof pass-through. Use 2 wall brackets to support the flue on each floor.

9.3 Installation instructions regarding existing flues

APPENDIX 2

Instructions

The flue gas exhaust system falls within category C91 and must be built in accordance with national rules and regulations and the instructions of the manufacturer, as specified in the documentation and installation instructions.

This means, among other things, that the chimney pass-through must not be smaller than 150mm round/square, but no larger than 200mm, and not ventilated by grilles, etc. In the case of larger chimney pass-throughs, a flexible hose of around 150 mm may possibly be used in combination with a flexible hose of around 100mm, as described below. For other situations, consult your supplier/manufacturer.

9.4 Parts

Check all parts for damage before commencing the installation. For the conversion of a brick flue to concentric flue, connected to CC flue system, you need the components described in [APPENDIX 2](#).

NOTE

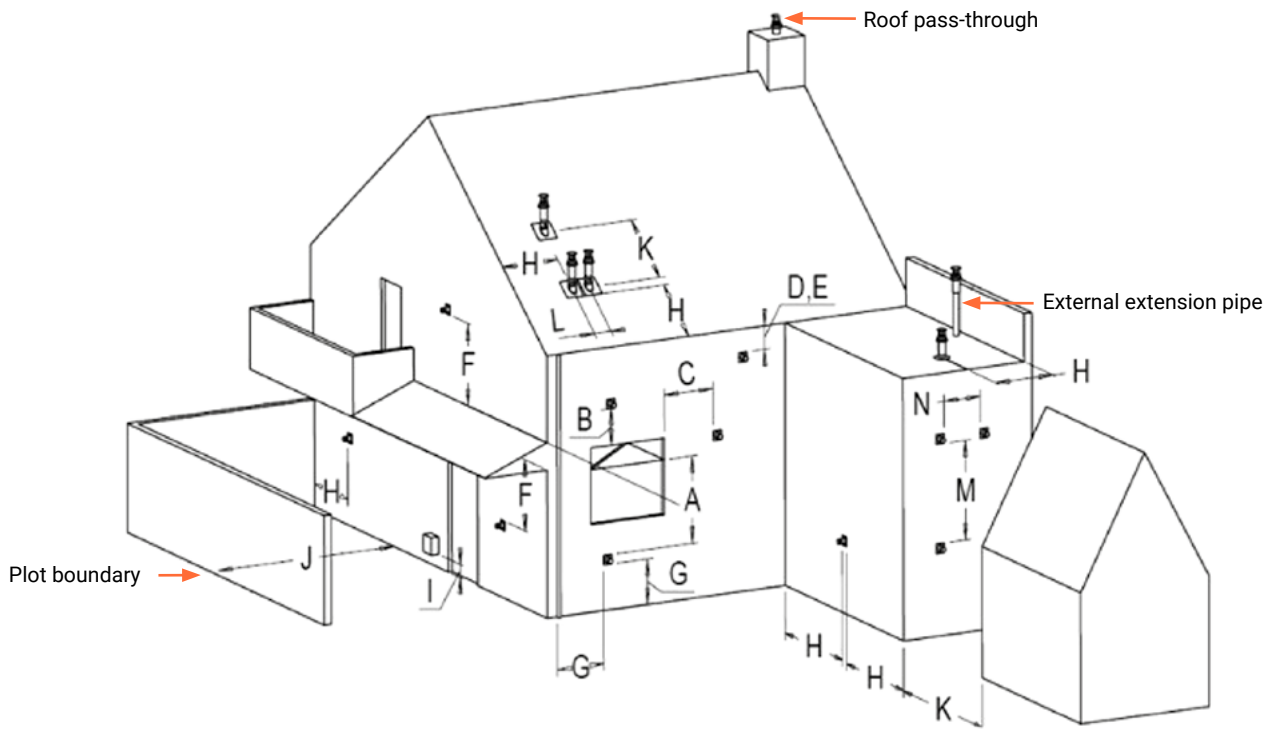
The renovation kit consists of parts:

- ④ Interior mounting plate
- ⑤ Sliding element
- ⑧ Chimney mounting plate

9.5 Installation

- Guide the flexible hose ⑥ through the existing flue ⑦.
- Attach the slider ⑤ to the bottom of the flexible hose and secure this in place using two Parker screws.
- Keep the bottom of the slider at the same height as the bottom of the flue or ceiling. Shorten the flexible hose to approximately 100mm above the chimney coping.
- Attach the mounting plate to the flexible hose on the roof ⑧, clamp it with a hose bracket. Stainless steel Ø90 to Ø165, secure the whole with Parker screws.
- Attach the mounting plate to the chimney coping watertight on the roof ⑧ using silicone sealant and stainless steel screws.
- Install the roof pass-through ⑩ and secure it in place using the supplied clamping strip ⑨.
- The slider ⑤ will protrude approximately 100mm underneath the flue or ceiling after installation.
- Attach the inner mounting plate ④ gastight against the bottom of the structural flue or against the bottom of the concrete floor using silicone sealant and screws.
- Position the unit in accordance with the instructions of the unit manufacturer
- Install a minimum of 1 metre of concentric flue type THC CC ②.
- Extend the concentric flue using sections ② up to a minimum of 100mm in the structural duct. Finally, turn the clamping strip ③ by hand in the mounting plate inside.

10 PASS-THROUGH POSITIONS AND FUNCTION CORRECTLY



Dimensions	Outlet positions	Distance mm
A	Distance to ventilation openings	Room*
B	Distance to ventilation openings	Room*
C	Distance to ventilation openings	Room*
D	Gutter channel base pipes or outlet pipes below here	500
E	Under the eaves	500
F	Under a carport, roof or balcony, inside and outside corners	500
G	From vertical ground pipes or drain pipes	300
H	Inside and outside a corner	500
I	Above an external gas pressure regulator	1000
	Side of a gas pressure regulator	500
J	Conflict distance façade outlet	Room*
K	Roof drain centre to centre	1000
L	From the centre of both roof drains	450
M	Two wall drains above each other	1000
N	Two wall drains next to each other	1000

* In accordance with local building codes

11 CLEANING AND MAINTENANCE

This unit must be inspected and maintained by a qualified, recognised and registered person at least once a year. As a minimum, the inspection and maintenance must ensure the unit works correctly and safely. It is advisable that the unit be cleaned of dust and dirt regularly during the heating season, and especially when the unit has not been used for an extended period of time. This can be done with a soft brush and vacuum cleaner, or a damp cloth and non-abrasive detergent if necessary. Do not use aggressive or corrosive substances to clean the unit.

The concentric flue system must be cleaned every 2 years.

Also check:

- 1 The seal of the gas combustion products and combustion air supply circuit.
- 2 The seal of the pressure hatches at the top and bottom of the fireplace, control of the gasket.
- 3 The operation of the pressure hatches; that they can open and close freely.
- 4 Correct operation of the gas control block and ignition of the burner.
- 5 The seal of the explosion hatch must be checked and/or be replaced after it has been activated.
- 6 Clean the convection space once a year.

Service and repair

If this unit needs to be inspected and/or repaired, you can completely remove the burner with base.

Removing the burner base and technical equipment.

Disassemble the glass pane with frame and possibly the cover frame.

By loosening the cover frame, a little more space will be created.

Take the ceramic blocks out of the unit and then the grate. Standing this up straight is easiest. The burner and burner support on the left is then visible. There is a Parker screw here. Partly loosen it, and then slide the burner to the left. The glow material can therefore remain on the burner. We see the base upon which the technical equipment is located.

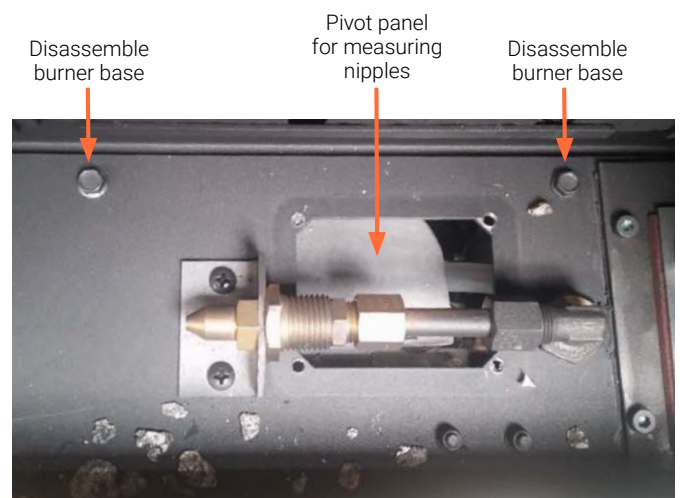
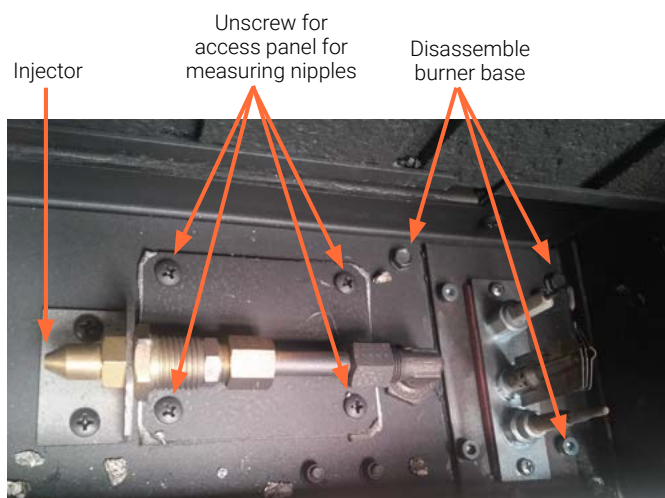
There are Parker screws on the outer edge. These must be unscrewed; the base plate can then be removed. Left side up first, and then remove the entire thing with a slight twist up to the left. The base is now loose. There is also a gas hose on the technical equipment. Disconnect this hose, the base can then be completely removed with the technical equipment. Replace in reverse order.

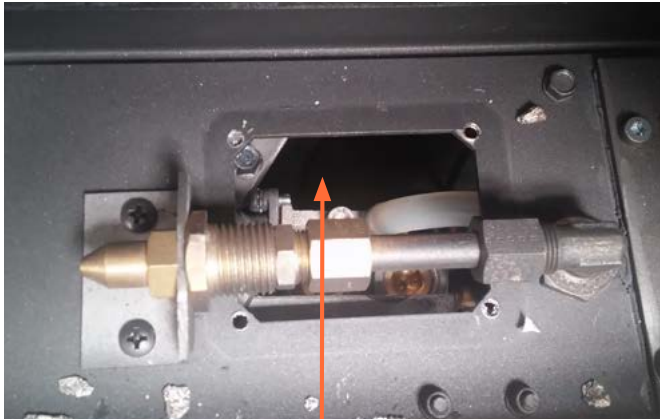
Measuring nipples

If the plan is only to disassemble the burner, a square plate under the gas pipe can be seen. Remove the four Parker screws and release the plate. Look through the hole and you can see a small, silver-coloured plate. This plate can be turned counter clockwise. The measuring nipples are now visible. The left nipple is for the supply pressure, and the right nipple is the burner pressure. You can now insert a hose through the convection chamber towards the measuring nipples and use a set of combination pliers to slide the hose onto the measuring nipple. The detached plate can then be replaced with the burner.

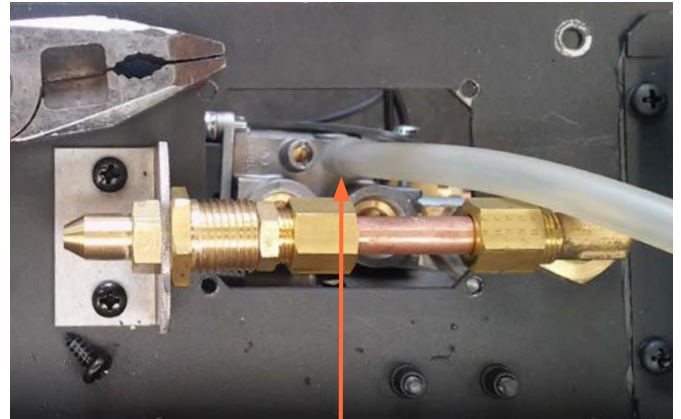
Turn the fireplace on to check the gas pressure. Then put everything back in reverse order. The burner pressure can only be adjusted if the fireplace is not yet installed. Remove the front panel; this makes installation easier.

If the burner pressure is to be adjusted after installation, this can be done by removing the burner and the base.

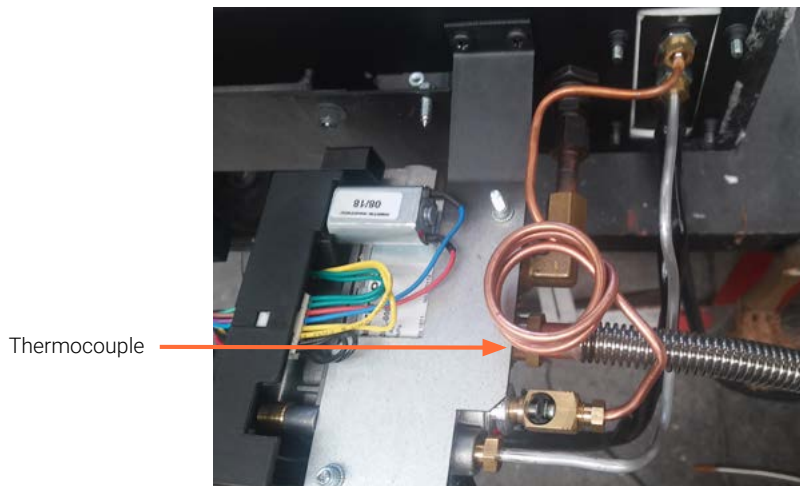




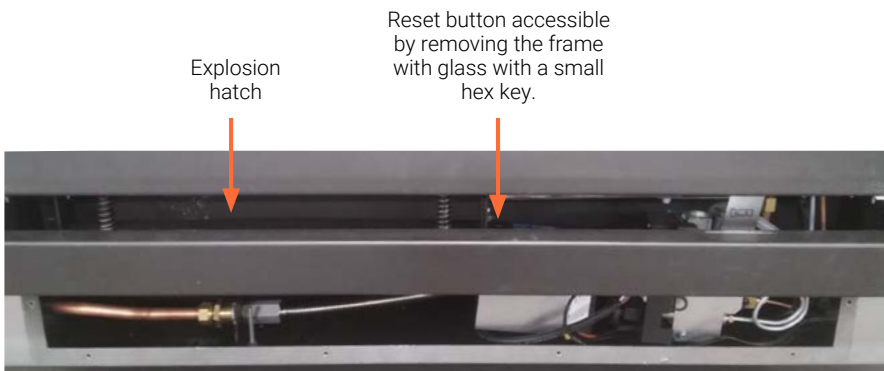
This access has been made available to aid checking the supply pressure and the burner pressure after installation. The burners are tuned and sealed by the factory. If a correction is necessary, the burner base will have to be disassembled in order to reach the adjusting screw.



Hose mounted on burner pressure



Thermocouple



Explosion hatch

Reset button accessible by removing the frame with glass with a small hex key.

Adjustment screw burner pressure



AR glass (Anti-Reflective glass) cleaning instructions

General

AR glass is a non-reflecting ceramic glass. This glass has an AR coating on both sides of the glass. The anti-reflection layer reduces the reflection to a minimal gloss. It is a known fact that the coating layers are more sensitive than the ceramic, therefore it is necessary to follow special cleaning procedures.

NOTE

Wear soft cotton gloves at all times.

Important

Do not use any of the following cleaning agents:

- Hard or abrasive sponges, steel wool, abrasives
- Cleaning agents with ammonia or acid (even citric acid)
- Paper towels, ceramic hob cleaner.

Only use water or a suitable detergent surfactant

We recommend our thermoCet Cleaner.

Remove frame with glass pane

See Paragraph 2.2 *Preparation and placement* on page 3.

Important

After the first use, there will be a white haze on the inside of the glass pane; this white haze must be removed immediately after the first use when the unit has cooled down.

The higher the frequency of use, the more often cleaning is required. After more frequent use, more frequent cleaning of the glass will be necessary. By not cleaning the glass in time, it will become dull and increasingly difficult to clean.

Information

If a unit with AR glass is placed near windows, or if there is a lot of light on the glass, it is possible the reflection of bright colours will be seen. For example, the AR glass may reflect the colours from a red sofa, white table or a floor.

If the AR glass is cleaned regularly, or by frequently using products that are not recommended, the AR effect will fade over time.

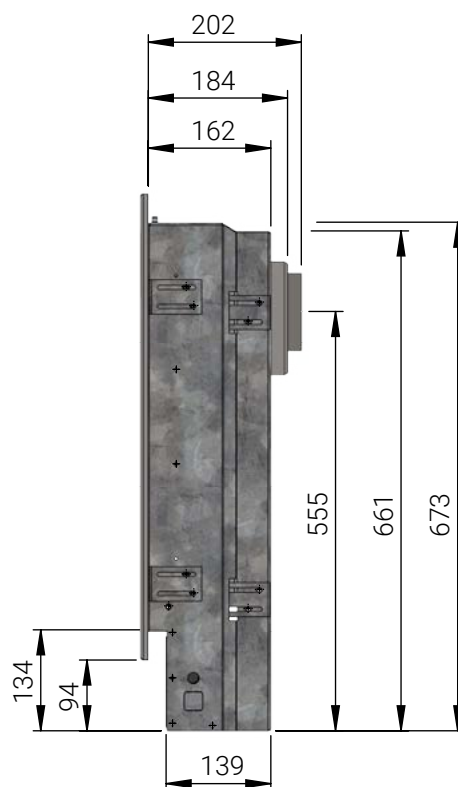
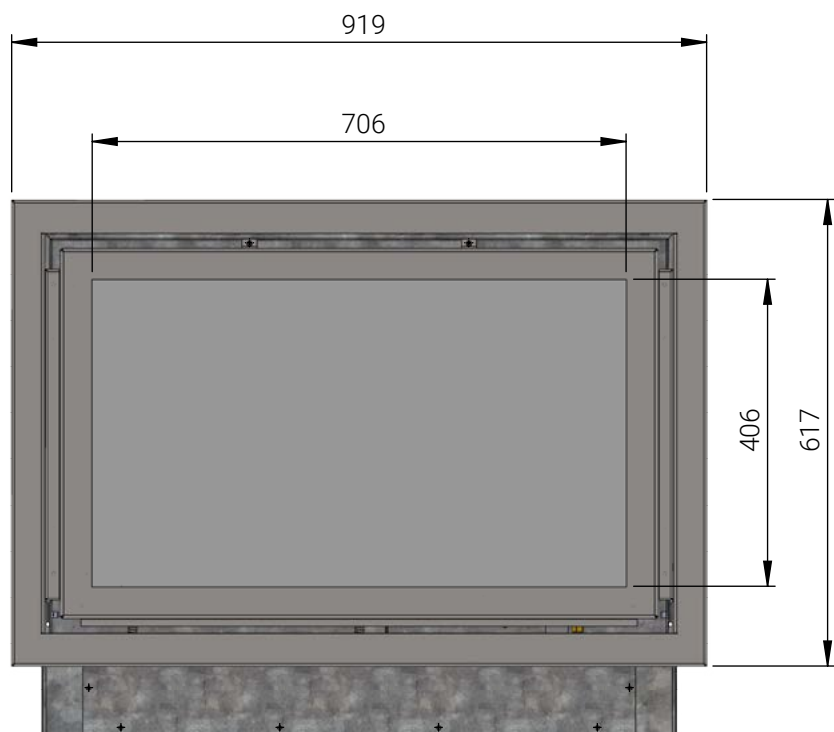
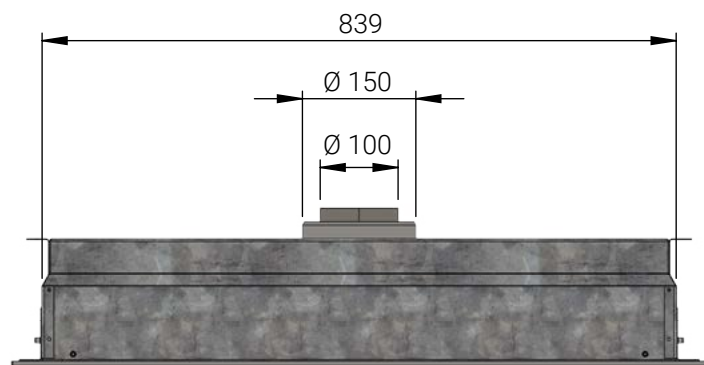
12 QUICK REFERENCE GUIDE FOR FAULTSSEARCH FOR ENCLOSED GAS FIRES USING MERTIK GV60 GASCONTROL

Function	Possible cause	Solution
1. Acoustic signals	1 long beep → reset switch OFF (0)	Set switch to (I)
	1 long beep → connections not complete	Check connections in thermocouple circuit
	1 long beep → 8-core cable defective	Check connections in connector/replace 8-core cable
	1 long beep → micro switch defective	Replace gas valve
	1 long beep → Sync not OK	Carry out new sync procedure for remote control/receiver
	3 short beeps → power supply	Replace batteries or 6-VDC adapter
2. No reaction remote control/receiver	Power supply problem	Check batteries/6-VDC adapter
	No sync remote/receiver	Carry out sync procedure
	Distance between remote control/receiver	Change position of receiver
	Defective receiver	Replace receiver
	Faulty remote control	Replace remote control
3. No pilot light gas	GV60 DC magnet unit does not open (no clicking noise from gas valve)	Check wiring and breaker on thermocouple circuit Check/replace 8-core cable between remote control and gas valve 1 x sparks and stop: check ground cable under torx gas valve Replace receiver Replace gas valve
4. Poor/no spark	Spark cable loose	Check spark cable connections
	Short circuit between cable and metal	Check whether cable is free of metal parts
	Poor spark candle	Check spark candle for fractures, replace if necessary
	Distance of sparking candle to pilot light head	Check distance is approximately 4mm
5. Pilot light difficult to ignite	Gas supply pressure too high, nervous flame	Adjust gas supply pressure or adjust the pilot light pressure using the gas valve
	Gas supply pressure too low, short flame	Adjust gas supply pressure, check gas pipes, or adjust pilot light pressure using the gas valve
	Air in (pilot light) pipe, flame on/off	Blow pipes through, make air-free
	Injector blocked	Clean or replace pilot light injector
	Blocked/curved pilot light pipe	Check and clean pipe
	Pilot light head damaged	Check and replace pilot light
6. Pilot light goes out after ignition	Small pilot light, no flame on thermocouple tip	Check gas supply pressure, possibly too low
		Check pilot light injector and gas pipe
	Nervous pilot light flame, no flame on thermocouple tip	Check gas supply pressure, too high, adjust
		Adjust pilot light pressure on gas control block
		Air in pipes, vent
	Lazy pilot light, no flame on thermocouple tip	Check premix opening on pilot light, must be open
	Poor connections in thermocouple circuit	Check cables/breaker in thermocouple circuit
		Check thermocouple connections in gas control block, do not over-tighten.
Measure thermocouple circuit voltage 4.5mV minimum		
Bad thermocouple	Check open circuit voltage of thermocouple (18-30mV), replace if necessary	
Poor DC magnet unit in GV60	Replace gas valve	
7. Pilot light goes out when the fireplace is closed	False air along pilot light holder/gasket	Check pilot light holder and gasket for leaks
	False air hatches	Check pressure hatches/gasket is completely closed
	Main flame causes pilot light to go out	Check restriction/baffle in accordance with regulations

Function	Possible cause	Solution
8. Pilot light/main flame off	Gas supply pressure has dropped	Check correct dimensions of gas pipe or blockage, correct
	Main burner ignition, 3 beeps, low power supply voltage	Check batteries or 6-VDC adapter
	Too much/little transport in unit/outlet	Check restriction/baffle situation in accordance with instructions.
	Concentric outlet pathway incorrect	Check outlet pathway in accordance with instructions
	Recirculation, façade/roof mouth position incorrect	Check outlet in accordance with instructions
	Recirculation in closed outlet system	Check outlet connections
9. Main burner does not start up	Gas control valve knob to MAN	Check gas control valve knob to ON
10. Delayed ignition of main burner	Pilot light burner blocked	Check logs, pebbles, etc. are in the right position. pilot light should be free of obstructions.
	Small/lazy pilot light	Check and correct pressure and physical state of pilot light burner
	Close main burner flame openings	Check and clean with a vacuum cleaner or similar device.
	Logs, etc. in wrong position	Check and correct, see instructions
11. Low main flame	Gas supply pressure too low	Check gas supply pressure and corrections
	Burner pressure too low	Check burner pressure, check instructions for correct values
12. No or little difference between high/low settings for main flame	Low position setting incorrect	Check and adjust low position in accordance with instructions
13. DB burner does not work	Defective step valve	Check whether clicking sound is perceptible, press button on remote control several times, replace valve if necessary
14. Sooty flame	Insufficient transport in unit/closed drainage system	Check restriction/baffle, follow instructions for correct value
		Check outlet system pathway in accordance with instructions
		Check outlet in accordance with regulations/instructions
	Excessive feed/burner pressure	Check and correct gas supply/burner pressure in accordance with instructions
	Blocked burner flame openings	Check and clean with a vacuum cleaner, for example
	Incorrect premix for main burners	Check and correct, see instructions
	Decorative logs, etc. in incorrect position	Check and correct, see instructions

Appendix 1 DIMENSIONAL DRAWINGS

Measurements in mm



Appendix 2 INSTALLATION EXAMPLES REGARDING FLUES

Material: Stainless steel AISI 316 L - Allow number 1.4404
 Diameter inner pipe/outer pipe Ø100mm/Ø150mm

Application: for the discharge of flue gases and the supply of combustion air from gas-fired fireplaces or stoves with a closed combustion system

