

Domofocus glazed Heating range

Available for order: 15 February 2022

Finish : matte black

Production time : 15 weeks from the signed drawing agreement



Domofocus glazed

Fire suspended in a hearth screened in glass.

A few months ago, ever the pioneer, the Gyrofocus with glass panels paved the way in Focus's Ecodesign-compliant range.

The **glazed Domofocus** only had to follow in its predecessor's footsteps. With its more compact size, is it trying to steal the limelight from the brand's icon? That would be a blatant lack of recognition.

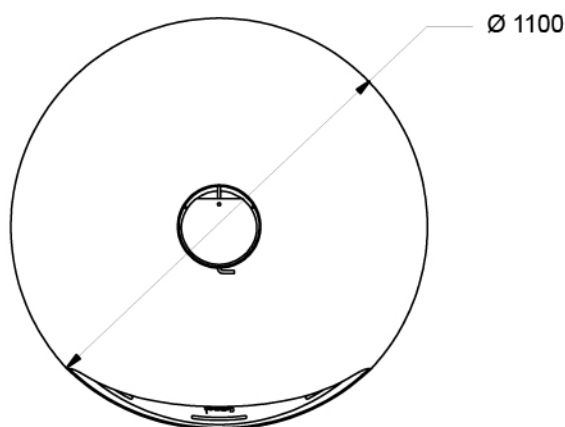
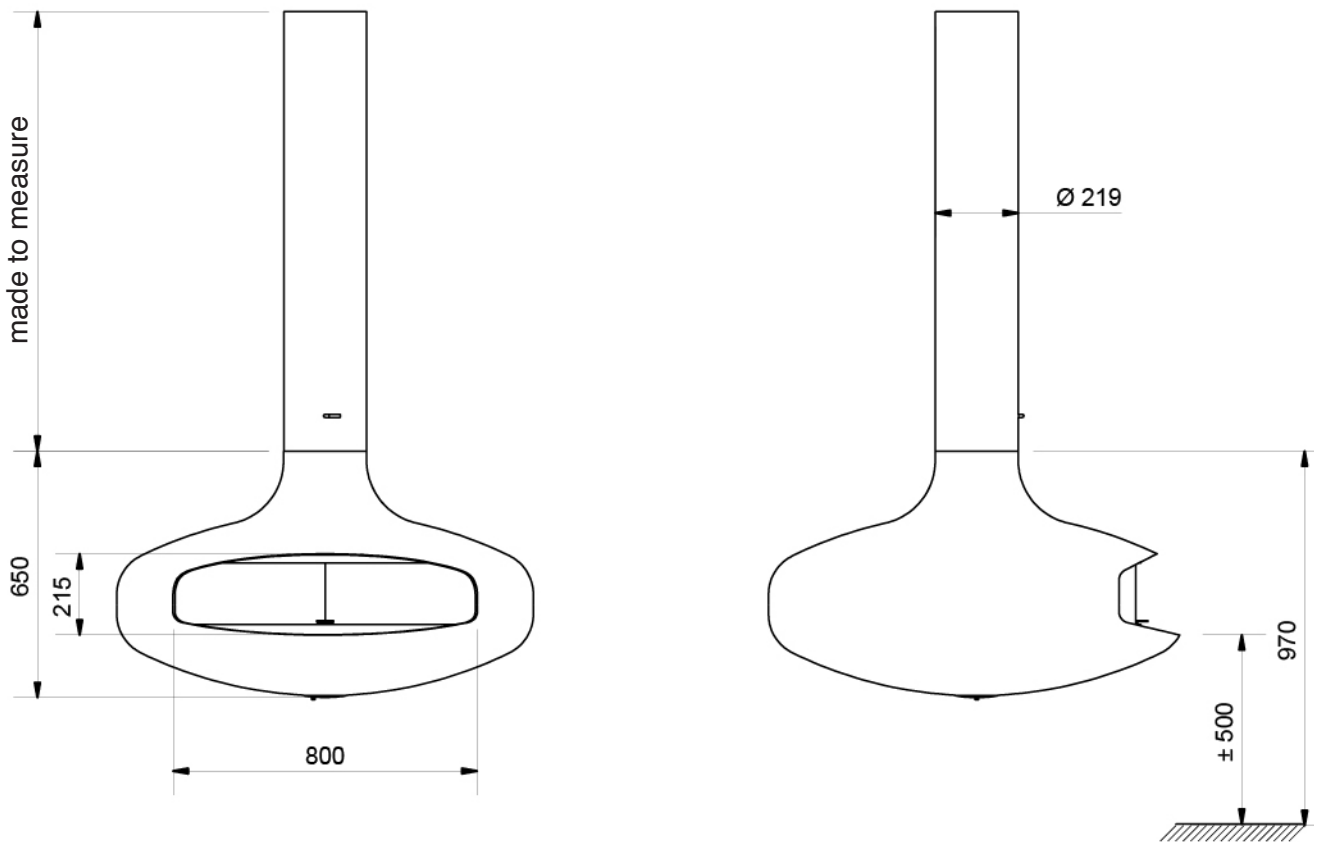
The glazed Domofocus complies with the new European Ecodesign standard, as well as Italy's even more stringent Quattro Stelle regulations.

Its double chamber system (see diagram, p. 4) gives it exceptional performance, particularly in terms of minimizing fine particle emissions, and significantly extends how long the fire burns. A patent has been filed for this technological innovation.

Performance using wood logs

- heat output = 18 kW
- efficiency = 81%
- CO at 13% of O₂ = 0,09 % (1125 mg/Nm³)
- NO_x at 13% of O₂ = 151 mg/Nm³
- OGC at 13% of O₂ = 34 mg/Nm³
- dust = 19 mg/Nm³

Dimensions



This document is the property of Atelier Dominique Imbert SAS. It contains private and confidential information and is strictly reserved for the use of the Focus partners/dealers it is addressed to. It is strictly prohibited to disclose this document to any third party without our prior authorisation, under penalty of action for damages and prosecution for patent infringement.

Components



This document is the property of Atelier Dominique Imbert SAS. It contains private and confidential information and is strictly reserved for the use of the Focus partners/dealers it is addressed to. It is strictly prohibited to disclose this document to any third party without our prior authorisation, under penalty of action for damages and prosecution for patent infringement.

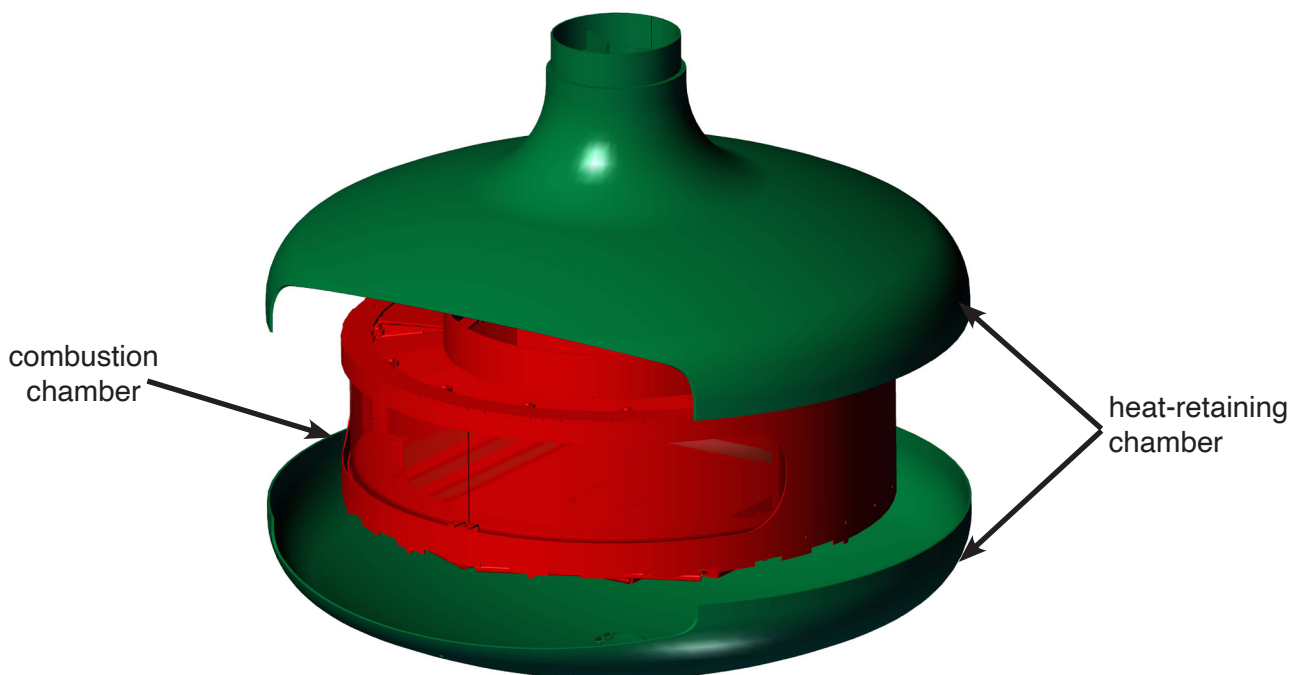
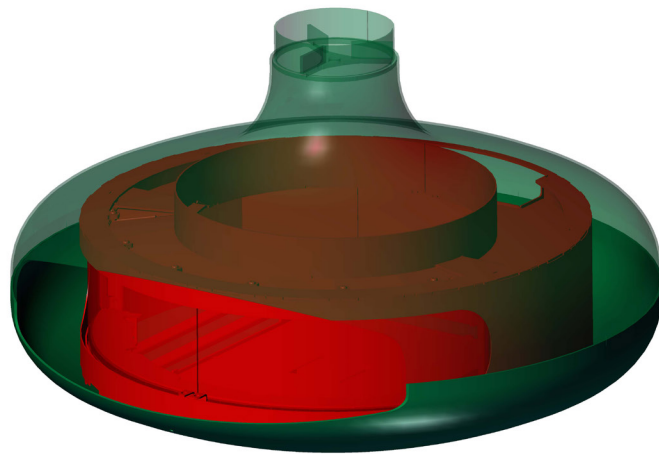
Technological innovation the double-chamber system

The system consists of:

- a heat-retaining chamber in the original design of the Domofocus
- an inner combustion chamber with curved heat-resistant glass panels.

This technological innovation optimizes combustion, improving the performance of the fireplace and considerably reducing fine particle emissions.

The fireplace draws combustion air from the room. The combustion air is channelled between the two chambers where it is preheated as it circulates, thus entering the combustion chamber at a higher temperature.

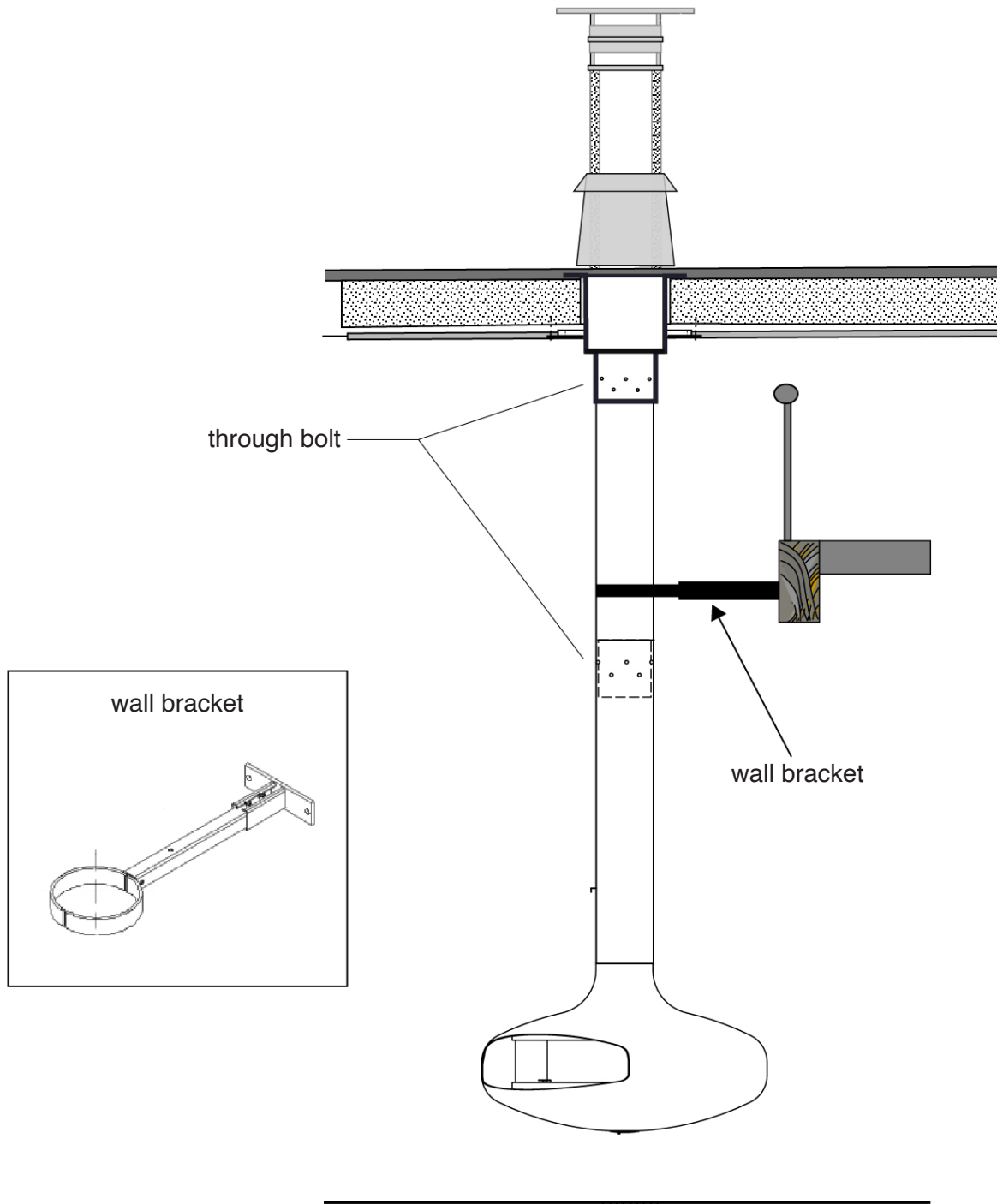


This document is the property of Atelier Dominique Imbert SAS. It contains private and confidential information and is strictly reserved for the use of the Focus partners/dealers it is addressed to. It is strictly prohibited to disclose this document to any third party without our prior authorisation, under penalty of action for damages and prosecution for patent infringement.

installation

In view of the weight of the fireplace (185 kg excluding the flue), a through bolt that links all the elements (flue/flue and flue/plate) is mandatory.

The installation of an anti-sway retaining bracket is recommended when the ceiling height is greater than 3.5m.



This document is the property of Atelier Dominique Imbert SAS. It contains private and confidential information and is strictly reserved for the use of the Focus partners/dealers it is addressed to. It is strictly prohibited to disclose this document to any third party without our prior authorisation, under penalty of action for damages and prosecution for patent infringement.

Packaging



outer dimensions of the crate: 1380 mm x 1380 mm x 950 mm high

crate weight including the hearth: 285 kg

hearth weight (without packaging): 185 kg

flue pipe weight (without packaging): 16 kg per linear meter