

## Product modifications

### Environmental performance of the Emifocus (porthole – rear outlet)

**Date available** : products leaving the factory from the week of 21/01/2013.

---

With the aim of improving the environmental performance of our fireplaces, we have made some technical modifications to the Emifocus (porthole - rear outlet) in order to :

- increase efficiency
- decrease particle and CO emissions.

#### New performance of the Emifocus (porthole - rear outlet)

- nominal heat output	9 Kw
- efficiency	78 %
- CO output at 13% of O2	0,10 %
- particle emission	<34 mg/m3

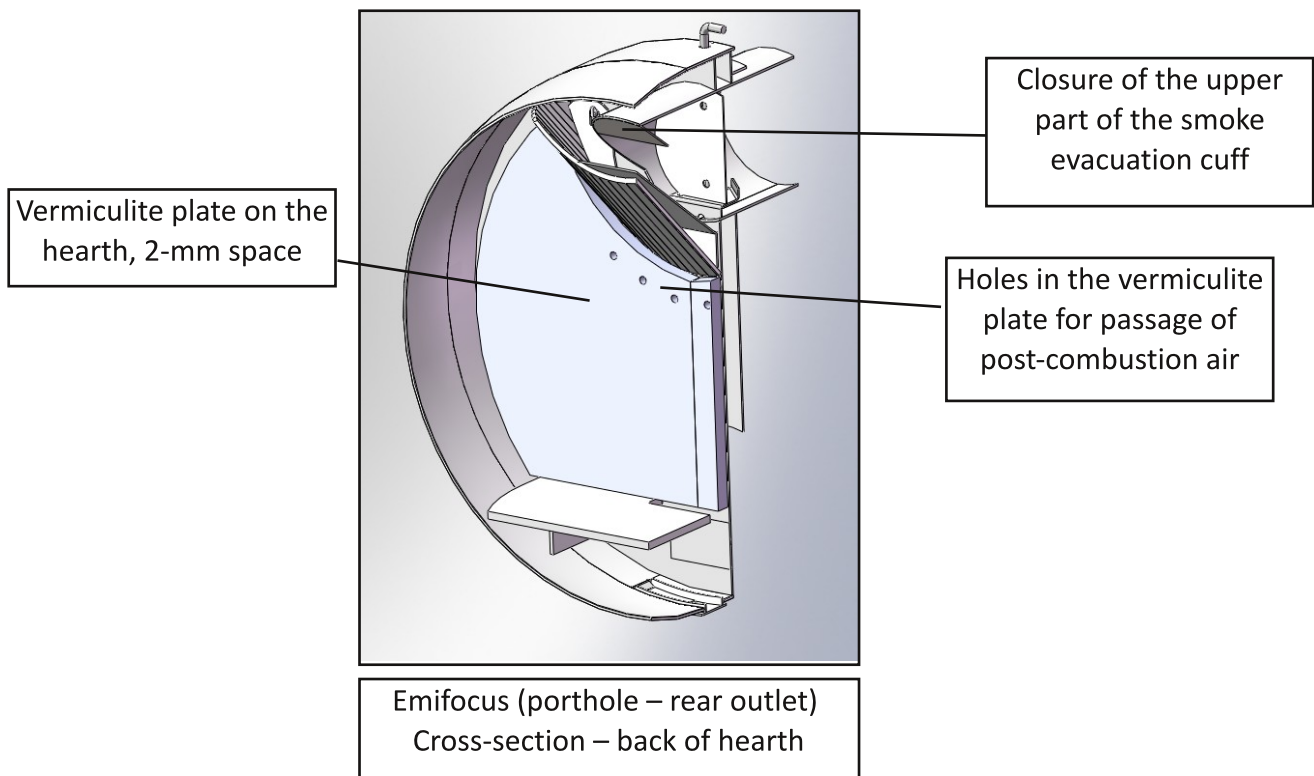
The design and look of the model have not been changed.

To avoid the risk of breakage during transport, certain parts of the Emifocus (porthole – rear outlet) will not be assembled at the factory:

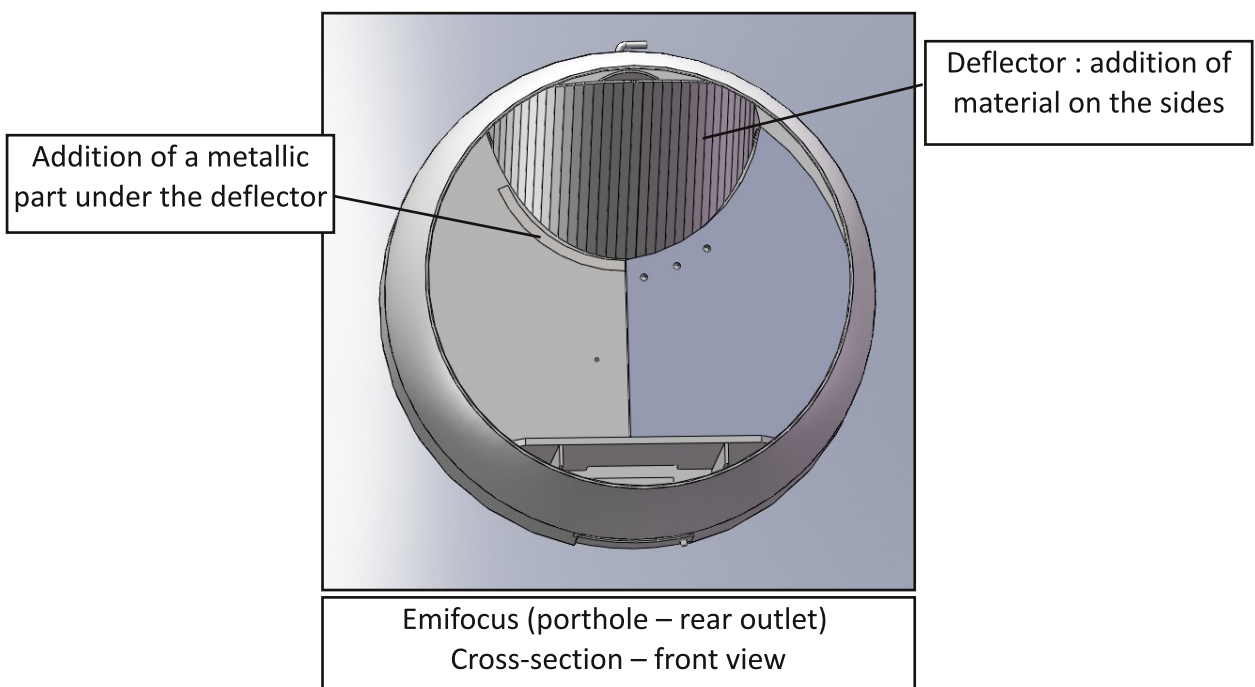
- the two vermiculite plates
- the air deflector.

These parts will be separated and protected by the packaging. The installer will assemble them during the installation of the fireplace for the customer.

## Technical modifications



## Modification of deflector plate

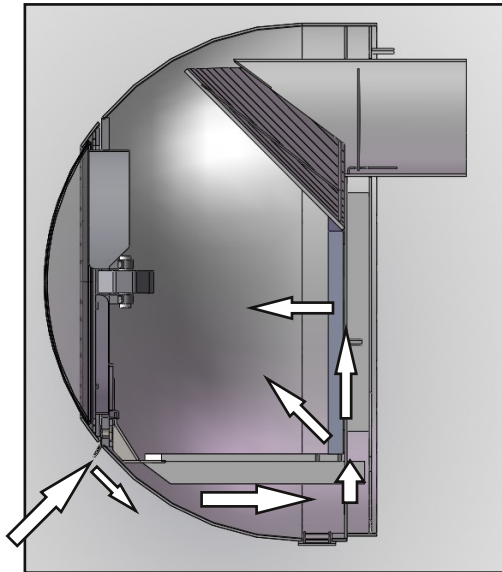


The deflector has been modified by adding material to the sides in order to retain the smoke inside the combustion chamber for longer.

A metallic part has been added to the deflector site to block the passage of air.

## Primary combustion air is guided under the solid grate

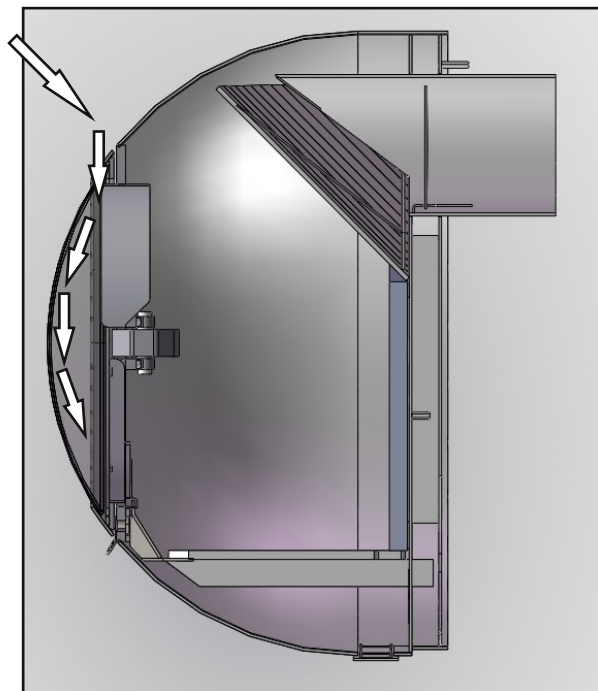
Air is guided by the addition of a cap over the air valve in order to direct the air under the solid grate. This cap is made of a folded element with a positioning plate on the underside.



Cross-section – right-hand side

## smoke-free of the glass

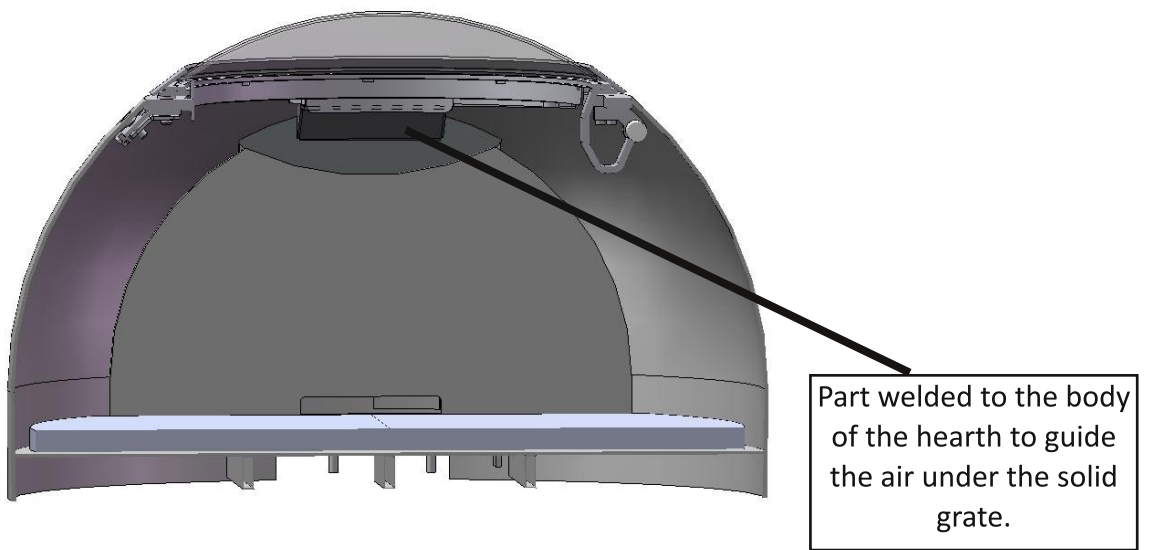
The glass is kept smoke-free by the movement of air between the door and the body of the hearth.



Cross-section – right-hand side

## New grate

The grate is a solid 10-mm thick plate.



Emifocus (porthole – rear outlet)  
Cross-section – view from above