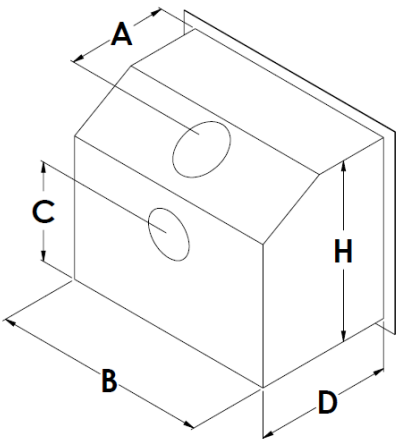


Model	Heta Scan-Line Classic 1 / 2 (2015)
Measurements mm	A: 313- 333 (30°) / 318- 340 (30°) B: 656 C: D: 453 / 458 H: 528/470
	
Floor to top outlet mm	
Energy efficiency class	A⁺
Color	sort / grå
Nominal kW	7
Heat output kW	3,5-10
Est. room size m ²	30-130
Outlet pip size Ø mm	150
Weight kg	95
Fuel volume kg	1,7
Combustion chamber width mm	510
Min. draught mbar	0,12
Distance to flammable materials mm At the sides Behind stove Place at 45° in a corner	80 (400 from door edge to wall) 60
Distance to furniture	1200
CO % / mg / m ³ _n 13% O ₂	0,054 / 678
Efficiency %	81
Dustmeasurement NS3058 g/kg	
Dustmeasurement EN13240 g/kg	29
Flu / gas g/sec	5,5
Flu / gas temperature C°	284
NOx mg / m ³ _n 13% O ₂	99
Approvals	EN 13229