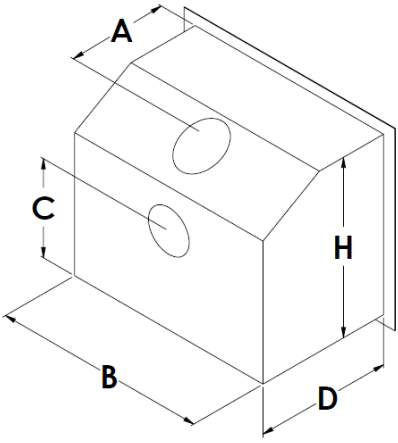


Model	Heta Panorama
Measurements mm	A: 290 (307 30°) B: 695 C: 317 D: 437 H: 578
	
Floor to top outlet mm	
Energy efficiency class	A
Color	sort / grå
Nominal kW	6,5
Heat output kW	3,9
Est. room size m ²	30-120
Outlet pip size Ø mm	150
Weight kg	112
Fuel volume kg	1,9
Combustion chamber width mm	548/462
Min. draught mbar	0,13
Distance to flammable materials mm At the sides Behind stove Place at 45° in a corner	
Distance to furniture	1100
CO % / mg / m ³ _n 13% O ₂	0,08 / 951
Efficiency %	80
Dustmeasurement NS3058 g/kg	2,74
Dustmeasurement EN13240 g/kg	27
Flu / gas g/sec	6
Flu / gas temperature C°	273
NOx mg / m ³ _n 13% O ₂	106
Approvals	EN 13240 NS 3059 15a-BVG