

# STELLA 600 BURNER MANUAL

## MANUAL OUTDOOR GAS BURNER

*Gas Technology*

### LPG GAS TECHNOLOGY

An LPG gas fireplace for outdoor patios offers instant warmth and ambiance with easy ignition, eliminating the need for wood and eliminating smoke and ash. It's an environmentally friendly, aesthetically pleasing addition that enhances the comfort and style of any outdoor living space.

### STAR-SHAPED BURNER FOR CUSTOM DESIGNS

Stella, with the star-shaped burner, allows the flames to spread evenly across the burner, creating an enchanting visual effect. Simply insert the burner in a custom surrounding that you like and enjoy the most elegant fire decoration.

### EASY CONTROL

An LPG fireplace offers effortless operation; ignite with a button push and adjust the flame height with a knob turn, providing a hassle-free and customizable fire experience.



### CONTROL THE FIRE

With the integrated control knob, Stella stands out for its precise control over the flame height and temperature, allowing you to create the perfect warmth and ambiance in your outdoor space.

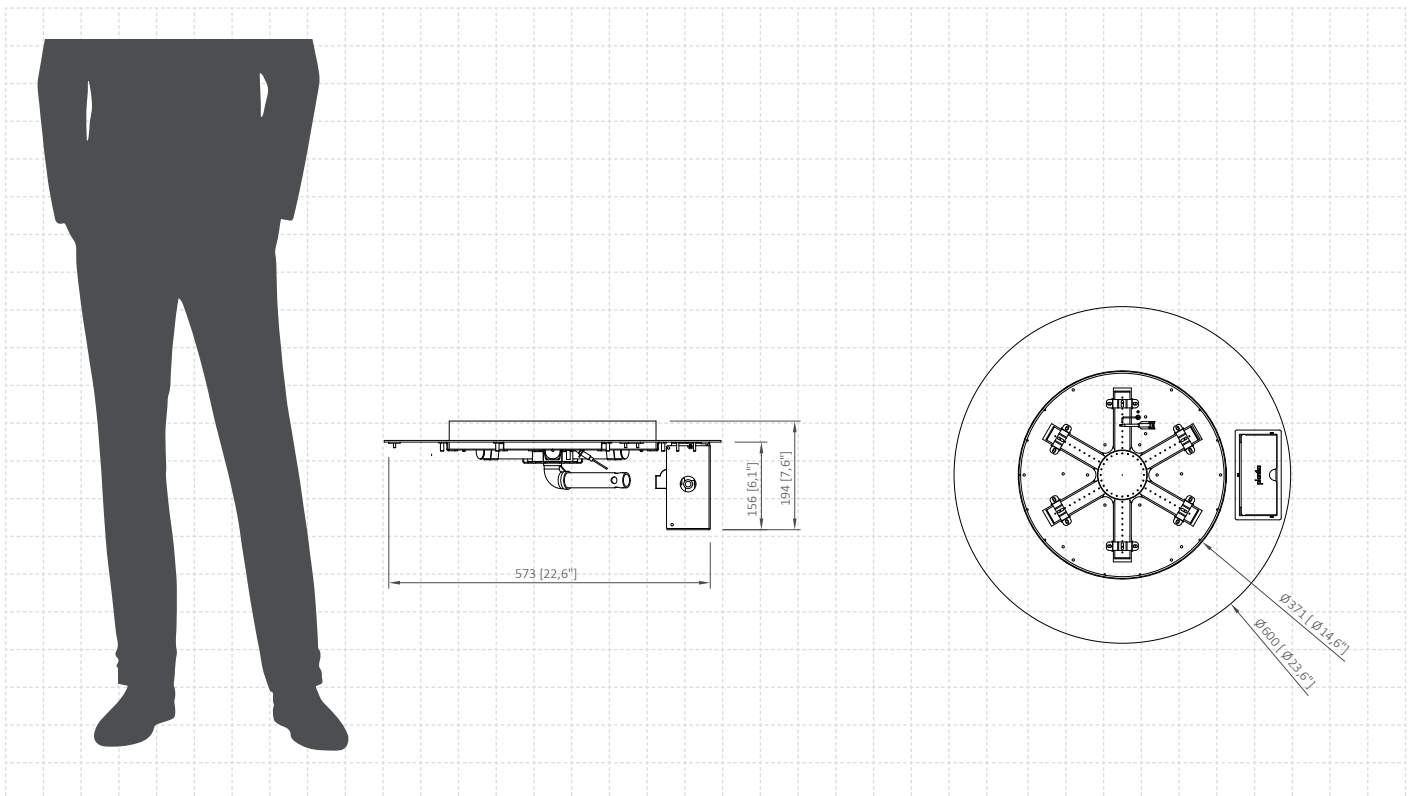
### BUILT TO LAST!

Stella burner is made with the finest quality components, ensuring durability and performance in any outdoor setting. It's waterproof, robust, and built to withstand severe weather conditions.

# Stella 600 Burner Manual

(Gas Technology)

Fuel type	LPG
Heat output	max. 12.7 kW
Gas consumption	max. 0.9 kg/h
Gas pressure	37 mbar
Total gas hose length	4 meters <i>(measured from valve to pressure regulator)</i>
Power supply	AAA battery powered control panel
Flue	not required
Flame height regulation	yes
Materials	steel, tempered glass
Decorative accessories	black glass gravel
Application	for outdoor use



All product specifications and data are subject to change without notice and are believed to be accurate as of the date hereof. Planika Sp. z o.o., its affiliates, agents, and employees, and all persons acting on its or their behalf (collectively, "Planika Sp. z o.o."), disclaim any and all liability for any errors, inaccuracies or incompleteness contained in any document or in any other disclosure relating to any product. To the maximum extent permitted by applicable law, Planika Sp. z o.o. disclaims any and all liability arising out of the application or use of any product. This document does not expand or otherwise modify Planika Sp. z o.o.'s terms and conditions of purchase, including but not limited to the warranty expressed therein. No license, express or implied, by estoppel or otherwise, to any intellectual property rights is granted by this document or by any conduct of Planika Sp. z o.o.. Customers using or selling Planika Sp. z o.o.'s products not expressly indicated for use in such applications do so entirely at their own risk and agree to fully indemnify Planika Sp. z o.o. for any damages arising or resulting from such use or sale. The images are indicative only.