

Linear 65



Linear 65 Design features



1. Decorative Media

Fire Pit Kits come with black glass charcoal.

2. Black Hi-Temp Coated Stainless Steel Tray

All Fire Pit Kits feature an Inlay Black Tray to house the compatible burner, included decorative media and glass fire screen.

3. Triple Fuel Advantage

Choose between plumbed natural gas, readily available propane, or our eco-friendly bioethanol fuel system.

We make it easy for you to achieve exactly what you want, for exactly where you want it.

Clean Burning Flame

Unlike traditional wood fire pits, our fire pit kits produce no smoke, no soot, and no ash for an enjoyable experience without the mess.

4. Colours

Bioethanol models are available with a Stainless Steel or Black Burner with a Black Inset Metal Tray.

Versatile and Incredibly Durable

EcoSmart Fire Pits are versatile, incredibly durable, and are constructed of weather resistant materials. These appliances are designed to look great for years, and will perform admirably through all four seasons.

5. Glass Fire Screen

Crafted from toughened, tempered glass for higher strength and shatter resistance, the windscreen is equipped for outdoor performance.

Global Compliance

This model complies with existing standards in the USA, Europe, UK and Australia. O-TL listed to UL 1370, EN 16647 BSI Certified and ACCC Safety Mandate compliant for bioethanol burners. LP/NG burners are UL/ULC listed to ANSI Z21.97-2017 and CSA 2.41-2017, and Gas Appliance Regulation 2016/426 as it applies to EU (CE) and UK (UKCA).

Linear 65 Accessories



Included Accessories



Decorative Glass Charcoal

Our Glass Charcoal is made from high-quality tempered glass.



Glass Fire Screen

Paired with the linear (L1520) glass fire screen, to stabilise the flame in windy conditions.



Jerry Can with Safety Spout and e-NRG bottle adaptor

Jerry Can allows safe storing/decanting of e-NRG ethanol. e-NRG adaptor connects the Safety Spout to an e-NRG bottle. *e-NRG not available in all countries.*



Lighting Rod & Lighter

The Lighting Rod is designed to safely adjust the slider position on the burner. It is also used for the ignition procedure.



XL Baffles

Placed over the internal burner vents, they serve to increase the efficiency of the burner as well as further stabilise the flame.

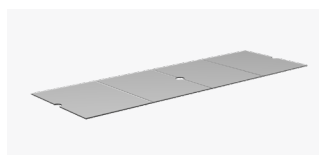
E Ethanol models only

Optional Accessories



Outdoor Burner Cover

Black silicone outdoor burner covers protect burners from the elements when not in use.



Glass Cover Plate

Enables fire pit tables to easily be transformed into a usable coffee table surface.

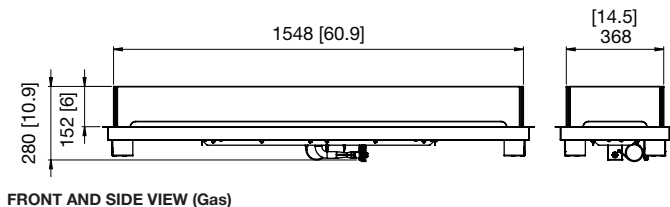
Linear 65 Specifications

Modern and versatile, Linear 65 Fire Pit Kit provides an elegant, elongated flame from a single XL900 Burner. Ideal for homes and intimate commercial settings.

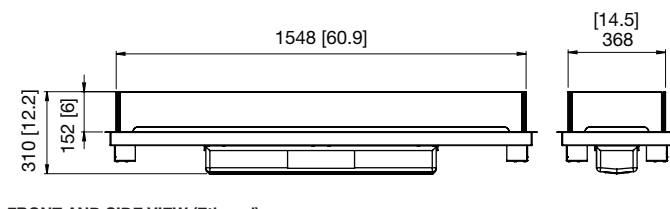
Ventilation and Efficiency*

Model Dimensions L x W x H mm/in	Compatible Burner	Fuel Capacity	Heats on Average (Indoors)	Thermal Output Net (MAX per burner)	Approx. Burn Time	Minimum Room Size
1630 x 450 x 310* 64.2 x 17.8 x 12.2 *H: Ethanol Model	XL900 (Ethanol)	9 L [2.4 Gals]	Over 60 m ² [645 ft ²]	16 MJ/h 15,000 BTU/h, 4.4 kW	8 - 13 hours	110 m ³ [3,884 ft ³]
	Liquid Propane	NA	Outdoor Use Only	65,000 BTU/h, 19kW	8 - 20 hours	Outdoor Use Only
	Natural Gas				Unlimited	

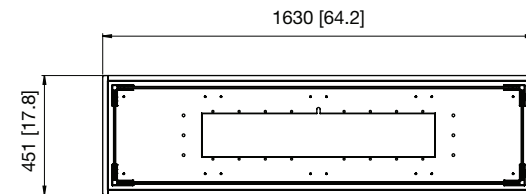
Application ¹	Indoor & Outdoor
Colour	Black ESF.B.FPK.L.65 ESF.B.FPK.L.65.G
Burner Colours	Stainless Steel Black
Materials	Black Hi-Temp Coated Stainless Steel Tray, Toughened Glass Fire Screen, Grade 304 Stainless Steel Burner, with optional Black Ceramic Coating
Approx. Weight	46.4kg [102.2lbs] Weight includes burner and accessories.
Fuel Type	e-NRG Bioethanol, Liquid Propane or Natural Gas



FRONT AND SIDE VIEW (Gas)



FRONT AND SIDE VIEW (Ethanol)



TOP VIEW

*These values are indicative only.
¹ LP/NG is suited for Outdoor use only. Bioethanol is suited for both Indoor/Outdoor use, however, additional parts are REQUIRED for indoor use. Please advise your Sales Representative at the time of purchase so that the product can be configured accordingly. This model complies with existing standards in the USA, Europe, UK and Australia. O-TL listed to UL 1370, EN 16647 BSI Certified and ACCC Safety Mandate compliant for bioethanol burners. **To comply with EN 16647 the Indoor Safety Tray must be installed before operating indoors. LP/NG burners are UL/ULC listed to ANSI Z21.97-2017 and CSA 2.41-2017, and Gas Appliance Regulation 2016/426.

FOR MORE INFORMATION PLEASE REFERENCE THE CLEARANCE & INSTALLATION MANUAL

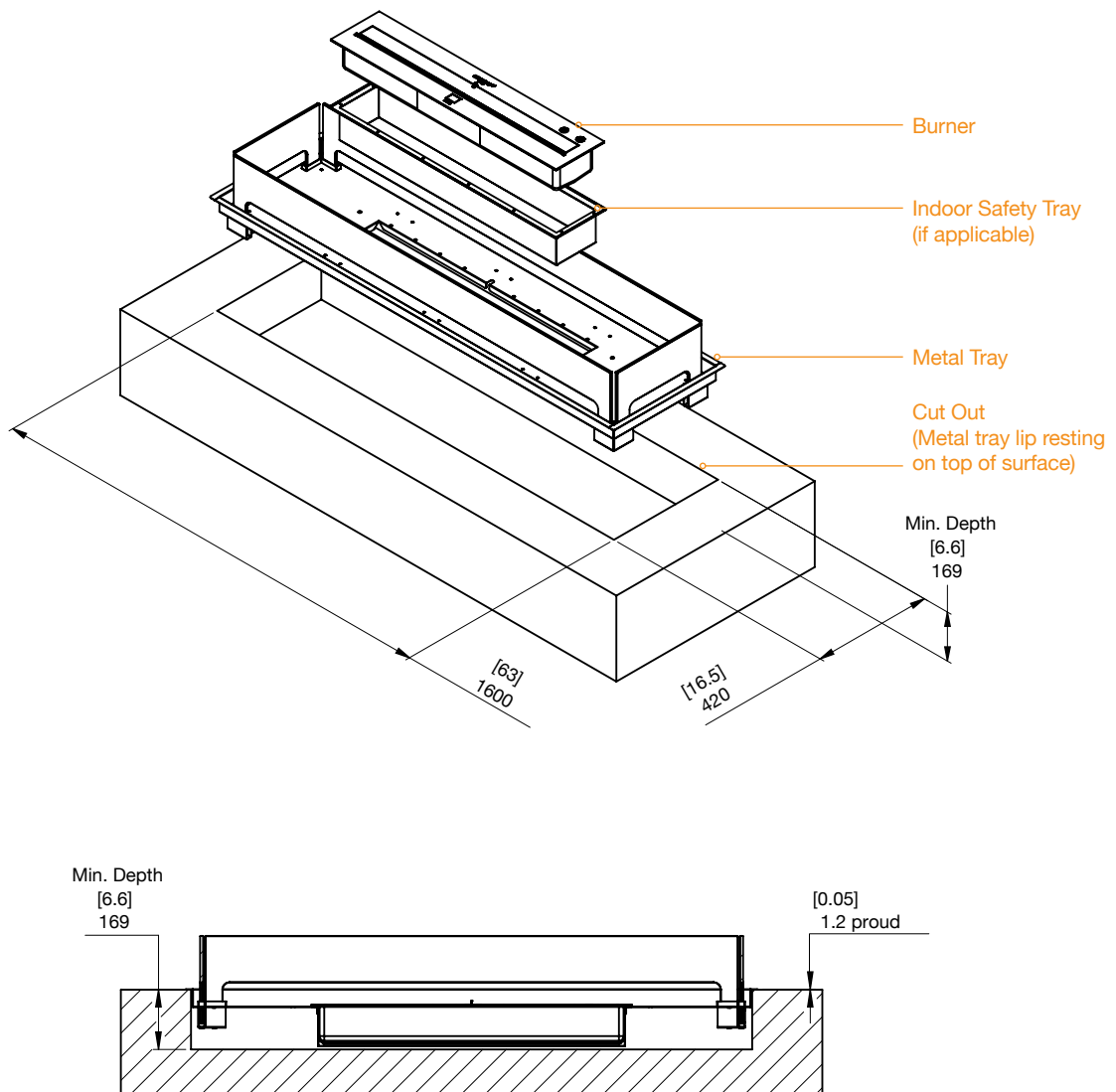
Disclaimer. All product specifications and data are subject to change without notice and believed to be correct at the time of publication. MAD Design Group (MDG), its affiliates, agents, and employees, and all persons acting on its or their behalf (collectively, "MAD Design Group"), disclaim any and all liability for any errors, inaccuracies or incompleteness contained herein or in any other disclosure relating to any product. MDG disclaims any and all liability arising out of the use or application of any product described herein or of any information provided herein to the maximum extent permitted by law. The product specifications do not expand or otherwise modify MDG's terms and conditions of purchase, including but not limited to the warranty expressed therein, which apply to these products. No license, express or implied, by estoppel or otherwise, to any intellectual property rights is granted by this document or by any conduct of MDG. Customers using or selling MDG products not expressly indicated for use in such applications do so entirely at their own risk and agree to fully indemnify MDG for any damages arising or resulting from such use or sale. Please contact authorised personnel from MDG to obtain written terms and conditions regarding products designed for such applications. Images are indicative only.

Linear 65 Cut-out dimensions

Bioethanol

Outdoor & Indoor Application

Physical model dimensions should be verified against cut out dimensions BEFORE installation begins to confirm tolerances align.



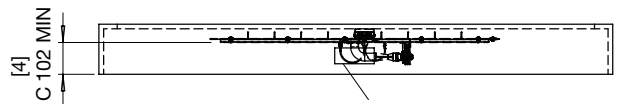
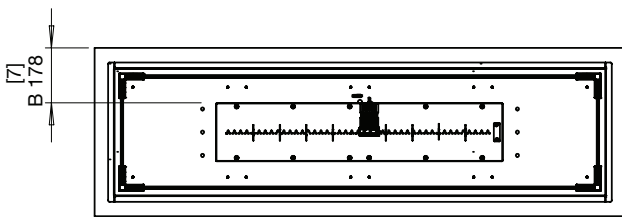
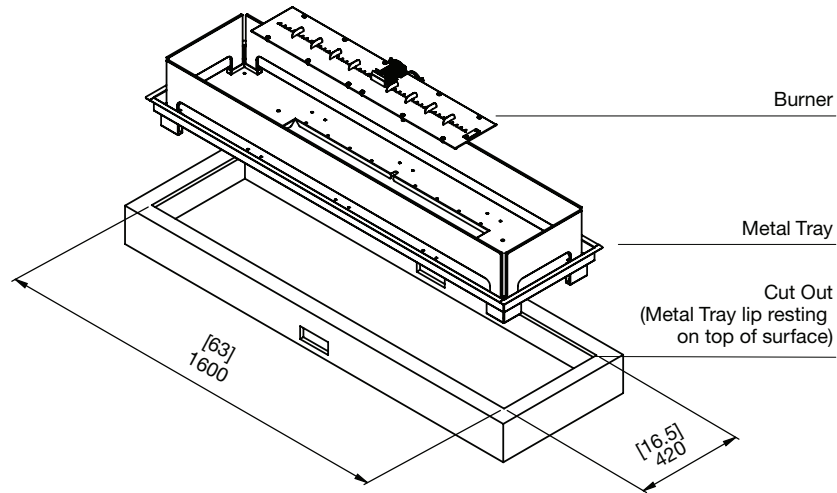
FOR MORE INFORMATION PLEASE REFERENCE THE CLEARANCE & INSTALLATION MANUAL

Disclaimer. All product specifications and data are subject to change without notice and believed to be correct at the time of publication. MAD Design Group (MDG), its affiliates, agents, and employees, and all persons acting on its or their behalf (collectively, "MAD Design Group"), disclaim any and all liability for any errors, inaccuracies or incompleteness contained herein or in any other disclosure relating to any product. MDG disclaims any and all liability arising out of the use or application of any product described herein or of any information provided herein to the maximum extent permitted by law. The product specifications do not expand or otherwise modify MDG's terms and conditions of purchase, including but not limited to the warranty expressed therein, which apply to these products. No license, express or implied, by estoppel or otherwise, to any intellectual property rights is granted by this document or by any conduct of MDG. Customers using or selling MDG products not expressly indicated for use in such applications do so entirely at their own risk and agree to fully indemnify MDG for any damages arising or resulting from such use or sale. Please contact authorised personnel from MDG to obtain written terms and conditions regarding products designed for such applications. Images are indicative only.

Linear 65 Cut-out dimensions

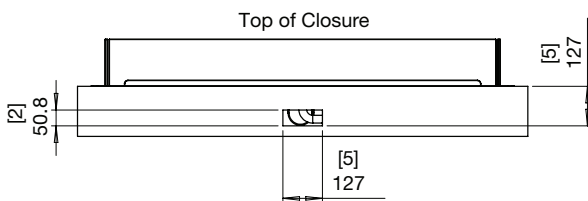
Hard Piped Natural Gas & Propane Outdoor Application only

Physical model dimensions should be verified against cut out dimensions BEFORE installation begins to confirm tolerances align.



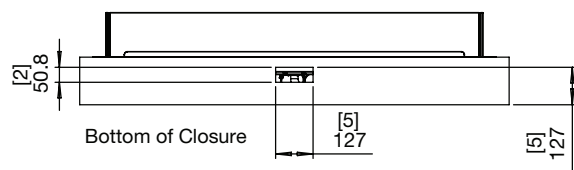
A 1/8IN ROD MUST BE ABLE TO PASS THROUGH ALL VENTS.
NO SCREEN OR MESH SHOULD BE USED.

HARD-PIPED NATURAL GAS MINIMUM REQUIREMENTS



HARD-PIPED NATURAL GAS ENCLOSURE
2 EQUAL SIZE VENTS REQUIRED.
VENTS SHOULD BE WITHIN **127MM [5IN]**
OF THE **TOP** OF CLOSURE.

HARD-PIPED PROPANE MINIMUM REQUIREMENTS



HARD-PIPED PROPANE ENCLOSURE
2 EQUAL SIZE VENTS REQUIRED.
VENTS SHOULD BE WITHIN **127MM [5IN]**
OF THE **BOTTOM** OF CLOSURE.

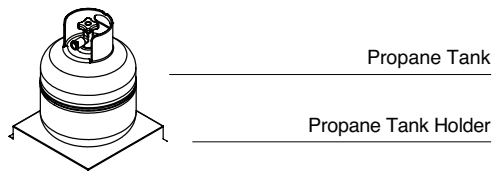
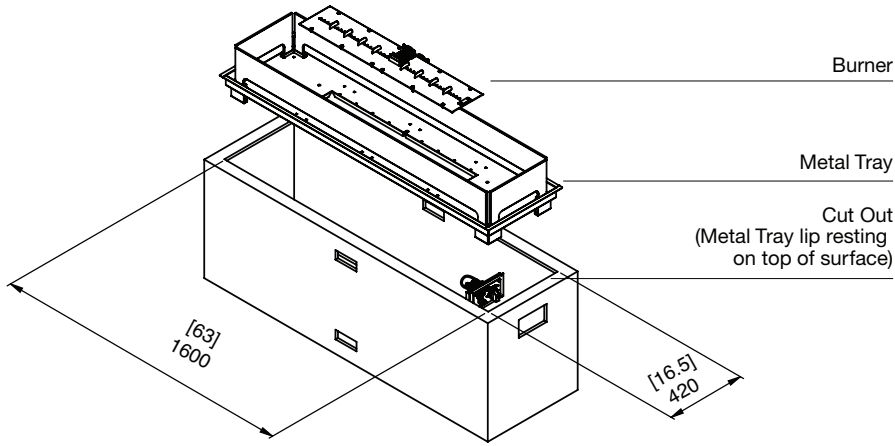
FOR MORE INFORMATION PLEASE REFERENCE THE CLEARANCE & INSTALLATION MANUAL

Disclaimer. All product specifications and data are subject to change without notice and believed to be correct at the time of publication. MAD Design Group (MDG), its affiliates, agents, and employees, and all persons acting on its or their behalf (collectively, "MAD Design Group"), disclaim any and all liability for any errors, inaccuracies or incompleteness contained herein or in any other disclosure relating to any product. MDG disclaims any and all liability arising out of the use or application of any product described herein or of any information provided herein to the maximum extent permitted by law. The product specifications do not expand or otherwise modify MDG's terms and conditions of purchase, including but not limited to the warranty expressed therein, which apply to these products. No license, express or implied, by estoppel or otherwise, to any intellectual property rights is granted by this document or by any conduct of MDG. Customers using or selling MDG products not expressly indicated for use in such applications do so entirely at their own risk and agree to fully indemnify MDG for any damages arising or resulting from such use or sale. Please contact authorized personnel from MDG to obtain written terms and conditions regarding products designed for such applications. Images are indicative only.

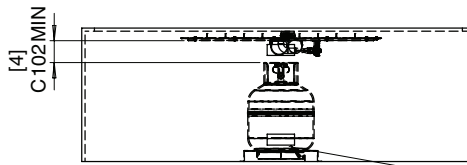
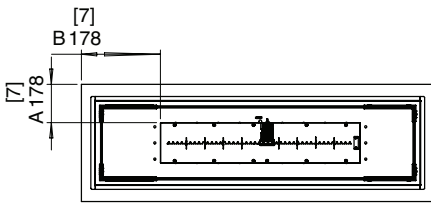
Linear 65 Cut-out dimensions

Self Contained Propane Outdoor Application only

Physical model dimensions should be verified against cut out dimensions BEFORE installation begins to confirm tolerances align.



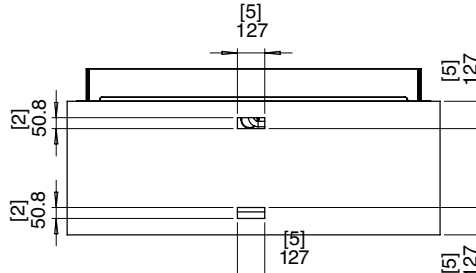
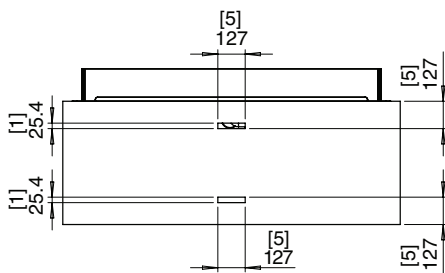
NOTE: Retention means must be provided to limit the movement of the LP gas cylinder.



A 1/8IN ROD MUST BE ABLE TO PASS THROUGH ALL VENTS. NO SCREEN OR MESH SHOULD BE USED.

MINIMUM REQUIREMENT

MINIMUM REQUIREMENT



TOP VENTS SHOULD BE WITHIN 127MM [5IN] OF THE TOP OF CLOSURE.
BOTTOM VENTS SHOULD BE WITHIN 127MM [5IN] OF THE BOTTOM OF CLOSURE.

10LBS PROPANE BOTTLE ENCLOSURE
4 EQUAL SIZE VENTS REQUIRED

20LBS PROPANE BOTTLE ENCLOSURE
4 EQUAL SIZE VENTS REQUIRED

FOR MORE INFORMATION PLEASE REFERENCE THE CLEARANCE & INSTALLATION MANUAL

Disclaimer: All product specifications and data are subject to change without notice and believed to be correct at the time of publication. MAD Design Group (MDG), its affiliates, agents, and employees, and all persons acting on its or their behalf (collectively, "MAD Design Group"), disclaim any and all liability for any errors, inaccuracies or incompleteness contained herein or in any other disclosure relating to any product. MDG disclaims any and all liability arising out of the use or application of any product described herein or of any information provided herein to the maximum extent permitted by law. The product specifications do not expand or otherwise modify MDG's terms and conditions of purchase, including but not limited to the warranty expressed therein, which apply to these products. No license, express or implied, by estoppel or otherwise, to any intellectual property rights is granted by this document or by any conduct of MDG. Customers using or selling MDG products not expressly indicated for use in such applications do so entirely at their own risk and agree to fully indemnify MDG for any damages arising or resulting from such use or sale. Please contact authorized personnel from MDG to obtain written terms and conditions regarding products designed for such applications. Images are indicative only.