

OPERATING AND INSTALLATION INSTRUCTIONS

SCAN-LINE 80 XL - SCAN-LINE 80 XLB BAKING OVEN

APPROVED FOR USE IN SMOKE CONTROL AREAS WHEN
BURNING DRY WOOD LOGS OR AUTHORISED FUELS



www.heta.dk




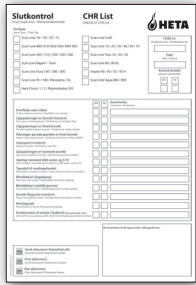


EN

DANISH DESIGN . DANISH QUALITY . DANISH PRODUCTION

Congratulations on your new stove. We are sure that you will be happy with your investment, especially if you follow the advice and instructions we have put together in these operating instructions.

Scan-Line 800 combustion chamber, and are therefore approved, like the Scan-Line 800, under EN 13240, 15 a B-VG and NS 3058/3059. Approval means that consumers can be sure, that the stove meets a range of specifications and requirements intended to ensure that the materials used are of good quality, that the stove does not adversely affect the environment, and that it is economical to use.

With your new wood stove you should find the following:

<p>Operating / Instruction manual</p>		<p>Q.C. check</p>	
<p>Heta glove</p>		<p>Data plate</p>	

Required tools are not supplied.

INSTALLATION INSTRUCTIONS

Safety clearances

Stoves must always be installed in line with national and, if applicable, local regulations. It is important to abide by local regulations regarding setting up chimneys and connection to same. Therefore, always consult your local chimney sweep before installation, as you are personally responsible for ensuring that the applicable regulations have been met.

Distance regulations

A difference applies to installation next to flammable and non-flammable walls.

If the wall is made of non-flammable material the stove can, in principle, be placed flush against it. However, we recommend leaving a gap of at least 5 cm to facilitate cleaning behind the stove.

The minimum distances to flammable material are stated on the boiler plate and are listed in the table on page 7.

Warning



A stove gets hot. (In excess of 90 degrees) Take care to ensure that children cannot come into contact with it.

Combustible materials should not be stored in the compartment below the ashpan.

IMPORTANT

1. Make sure there is adequate provision to sweep the chimney.
2. Make sure there is adequate ventilation to the room.
3. Please note that any extraction fans operating in the same room as the wood-burning stove can reduce the chimney draft – which may have an adverse effect on stove combustion properties. In addition, this may cause smoke to be emitted from the stove when the firing door is opened.
4. It must not be possible to cover any air vents.

The floor

It is essential to ensure that the floor surface can actually bear the weight of the stove and a top-mounted steel chimney, if applicable. The stove must stand on a nonflammable surface such as a steel floor plate or a brick or tile floor. The size of the nonflammable surface used to cover the floor area must match national and local regulations.

The chimney connection

The chimney opening must follow national and local regulations. However, the area of the opening should never be less than 175 cm², which corresponds to a diameter of 150 mm. If a damper is fitted in the flue gas pipe, there must always be at least 20 cm² of free passage, even when the damper is in its “closed” position.

Wood-burning stoves must never be connected to chimneys that are also linked to a gasfired heater.

An efficient stove makes high demand on chimney properties – so always have your local chimney sweep evaluate your chimney.

Connection to a brick chimney

Brick a thimble into the chimney and seat the flue gas pipe in this. The thimble and flue gas pipe must not penetrate the chimney opening itself, but must be flush with the inside of the chimney duct. Joins between brickwork, the thimble and flue gas pipe must be sealed with fireproof material and/or beading.

Connection to a steel chimney

When fitting a connection from a top-output stove directly to a steel chimney, we recommend fitting the chimney tube inside the flue gas spigot so that any soot and condensation drops into the stove itself rather than collecting on the exterior surface of the stove.

For connections to chimneys that are run through ceilings, all national and local regulations regarding distance to flammable material must be followed. It is important that the chimney is fitted with roof support so that the top panel of the stove is not required to bear the entire weight of the chimney (excessive weight may damage the stove).

Draft conditions

Poor draft may result in smoke being emitted from the stove when the door is opened. The minimum chimney draft to ensure satisfactory combustion in stoves of this kind is 12 PA. However, there will still be a risk of smoke emission if the firing door is opened during powerful firing. The flue gas temperature at nominal output is 267°C when expelled to an exterior temperature of 20°C. The flue gas mass flow is 5.8 g/sec. The chimney draft is generated by the difference between the high temperature of the

chimney and the low temperature of the fresh air. The length and insulation of the chimney, wind and weather conditions also have an effect on the ability of the chimney to generate appropriate under-pressure.

If the stove has not been used in a while, check that the chimney and stove are not blocked with soot, bird nests, etc., before using it.

Reduced draft can occur when:

- The difference in temperature is too small – due to insufficient chimney insulation, for example.
- The outdoor temperature is too high – in summer, for example.
- No wind is blowing.
- The chimney is too low and sheltered.

- The chimney contains false air.
- The chimney and flue gas pipe are blocked.
- The house is too airtight (i.e. when there is an insufficient supply of fresh air).
- Poor smoke extraction (poor draft conditions) due to a cold chimney or bad weather conditions can be compensated for by increasing the airflow into the stove.

Good draft occurs when:

- The difference in temperature between the chimney and outdoor air is high.
- The weather is fine.
- The wind is blowing strongly.

The chimney is of the correct height: at least 4.00 m above the stove and free of the roof ridge.

INSTRUCTIONS FOR USE

First firing

The stove paint is fully cured from the factory, but a minor unpleasant odour could still arise.

Fuel

Your new stove is EN approved for firing with wood fuel. You must therefore only burn clean, dry wood in your stove. Never use your stove to burn driftwood, as this may contain a lot of salt which can damage both the stove and the chimney. Similarly, you must not fire your stove with refuse, painted wood, pressure-impregnated wood or chipboard, as these materials can emit poisonous fumes and smoke. Correct firing using well seasoned wood provides optimal heat output and maximum economy. At the same time, correct firing prevents environmental damage in the form of smoke and emissions and also reduces the risk of chimney fires. If the wood is wet and inadequately seasoned, a large proportion of the energy in the fuel will be used to vaporise the water, and this will all disappear up the chimney. Thus it is important to use dry, well seasoned wood, i.e. wood with a moisture content of no more than 20%. This is achieved by storing the wood for 1–2 years before use. Pieces of firewood with a diameter of more than 10 cm should be split before storing. The pieces of firewood should be of an appropriate length so that they can lie flat on the bed of embers. If you store your wood outdoors, it is best to cover it.

Examples of recommended woods types

and their typical specific gravity per cubic meter stated as 100% wood with a moisture content of 18%

Wood	kg/m ³	Wood	kg/m ³
Beech	710	Willow	560
Oak	700	Alder	540
Ash	700	Scotch pine	520
Elm	690	Larch	520
Maple	660	Lime	510
Birch	620	Spruce	450
Mountain pine	600	Poplar	450

It is advised not to use very oil-containing woods like teak tree and mahogany, as this can cause damage to the glass.

Heating value in wood

You have to use about 2.4 kg normal wood to replace one litre of heating oil. All woods have almost the same heating value per kg, which is about 5.27 kW/hour for absolute dry wood. Wood with a moistness of 18% has a efficiency of about 4.18 kW/hour per kg, and one litre heating oil contains about 10 kW/hour.

CO₂ release

At combustion 1000 litres of heating oil forms 3.171 tons CO₂. As wood is a CO₂ neutral heat/

energy source, you save the environment about 1.3 kg CO₂ every time you have used 1 kg normal wood.

Chimney fires

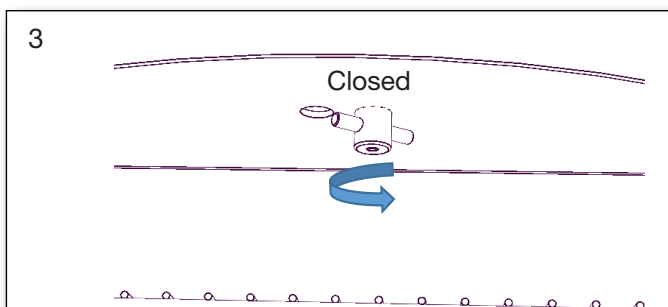
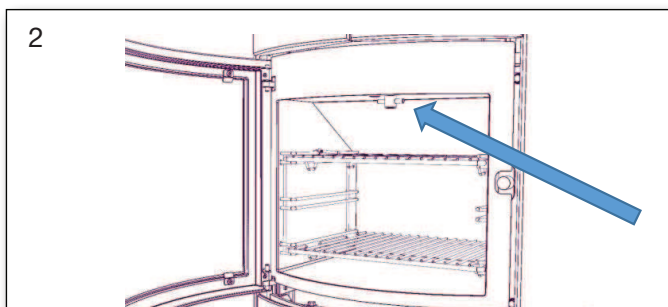
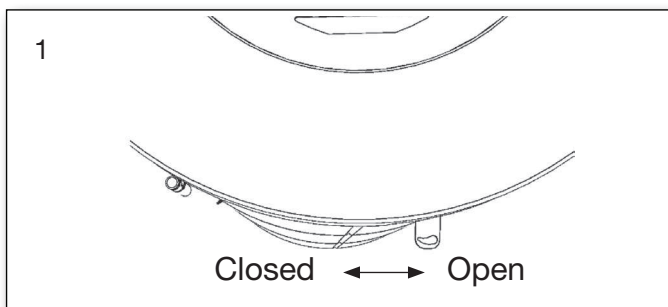
In the event of a chimney fire – which often results from incorrect operation or protracted firing with moist wood – close the door and shut off the secondary/start-up air supply to smother the fire. Call the fire department.

Airflow regulation

The combustion air flow is controlled by the handle at the top right, as shown on fig. 1.

The combustion air flow is fully open when the handle is as far back as possible. Combustion air is gradually reduced by moving the handle forward, and is completely shut off when it reaches the front position.

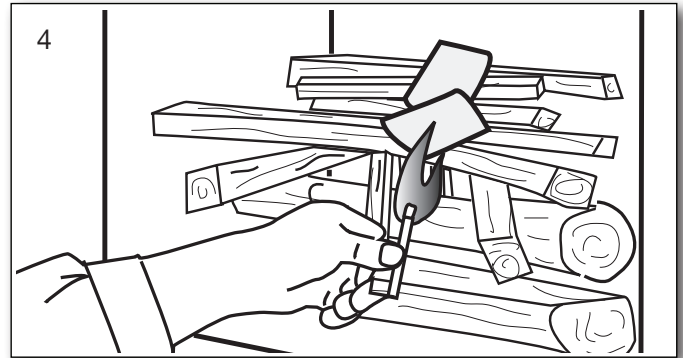
Before commencing, it is very important to ensure the aeration vent (Fig. 2) in the oven is closed, as shown in Fig. 3.



Lighting the stove

Place two pieces of wood on the bottom. Stack kindling on top in layers with air between. Set-

ting fire starter (bag, brick, paraffin) on the top, now you are ready to light the fuel. The flames must work from the top down.



The use of lighter fluid, oils or any liquid fuels is strictly forbidden from use in a wood stove.

Fully open the combustion air and leave the door ajar (about 1 cm open).

Once the fire is established and the chimney is hot (after about 3-5 minutes) closed door and regulate the air into operating position. We recommend, all of the first fuel is burned with the combustion air fully open in the operating position. This ensures the stove and chimney are thoroughly heated.

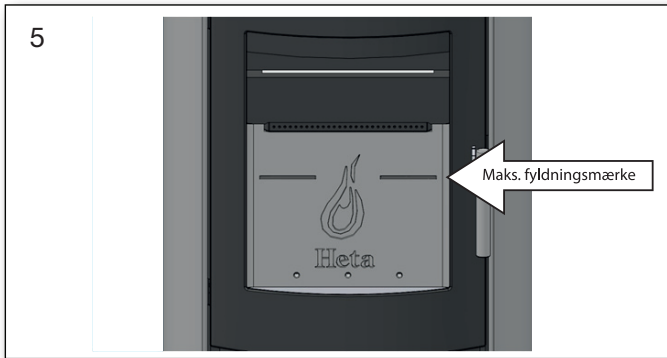


Startup/Lighting
Scan the code and select a language.

Adding fuel

A fresh supply of fuel should normally be added while there is still a good layer of hot embers. Spread the embers over the base grate, most towards the front of the stove. Lay a single layer of wood fuel corresponding to about 1.5 kg over the embers, at right angles to the stove door. Turn handle into top position (max. Combustion-airflow). Keep door ajar if necessary. (The door should not be left open but fuel will ignite more quickly while the door is ajar.) The wood should ignite within a very short time (usually 1-3 minutes). If the door is ajar, close it as soon as the fuel is ignited. When the flames spread across the fuel stack, adjust the combustion airflow to the required level. Nominal operation 6,8 kW corresponds to 80% combustion airflow. When adding fuel, make sure that the fuel is not too tightly packed, as this will lead to poorer combustion and fuel inefficiency.

Never fill firewood over the stove's max. fill line. See fig. 5.



Reduced burning

The stove is well suited to intermittent use. If you wish to operate the stove with reduced output, simply insert smaller volumes of wood at each firing, and apply a lower airflow. However, remember that the secondary combustion air supply must never be shut off completely during firing. It is important to keep a good bed of embers. Gentle heat is released when the fire settles - i.e. when the wood no longer generates flames and has been converted to glowing embers.

Optimal firing

To achieve optimal firing and the highest possible effect, it is important to make sure that the air supply is used correctly. As a general rule, the secondary air is to be used to control the fire to ignite the flue gases. This produces a high effect and keeps the glass panel completely clear of soot as the secondary air "washes" down over it. Please note that the stove will, naturally, produce soot if both the start-up mechanism* and secondary air intakes are closed completely. This will prevent oxygen from being drawn into the stove, and the viewing window and other parts will become covered with soot. If this situation is combined with firing with wet wood, the build-up of soot can become so thick and sticky that the sealing rope can, for example, become detached when the door is opened the next day.

Risk of explosion



After you add new fuel, it is very important that you do not leave the stove unattended until the wood is burning constantly.

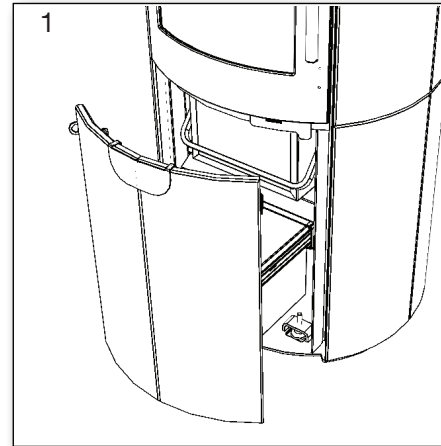
This will normally occur within 30 to 60 seconds. A risk of explosion can possibly arise if too much wood is placed in the stove. This may result in

the production of large volumes of gas, and this gas can explode if the intake of primary and secondary air is insufficient.

It is an advantage always to leave some ash lying in the bottom of the combustion chamber.

Emptying the ash pan

The ash pan is located behind the large pull-out front (see fig. 1).



By using the shaker grate, it rotates back and forth so the ash falls through the holes and into the ashtray. It is advantageous to leave a layer of ash in the bottom of the combustion chamber on top of the grate as insulation.

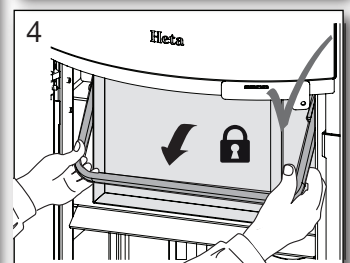
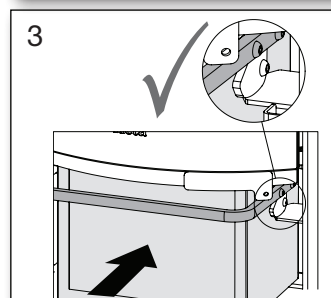
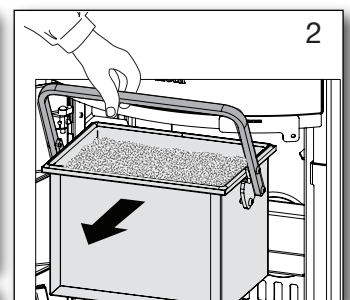
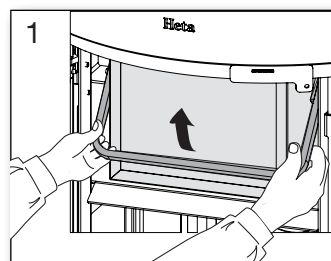


Be careful when emptying the ashes out. There can be hot embers left for a long time. Never empty ash into a combustible container.

The ashtray must be secure and must not be able to move after being set in place.

Do not fire in the oven if the ashtray is not in place.

The warranty is void if it is not complied with.



OPERATIONAL PROBLEMS

The chimney must be swept at least once a year, we recommend the use of a NACS (national association of chimney sweeps) registered chimney sweep. In the event of smoke or malodorous fumes being produced, you must first check to see whether the chimney is blocked. The chimney must, of course, always provide the minimum draught necessary to ensure that it is possible to regulate the fire. Please note, however, that chimney draft is dependent on the weather conditions. In high winds, the draft can become so powerful that it may be necessary to fit a damper in the flue gas pipe to regulate the draft. When cleaning the chimney, soot and other deposits may come to fall on the smoke

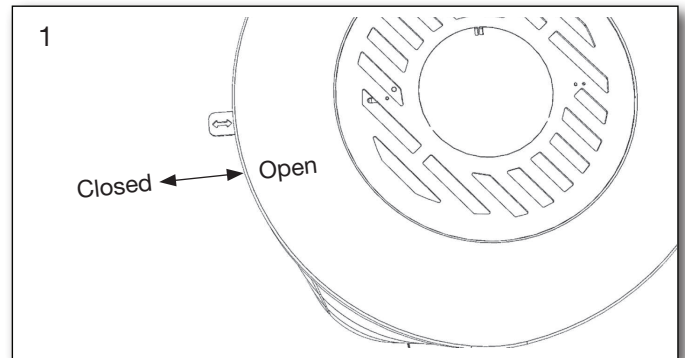
turning plate. In cases where the wood burns too quickly, this may be due to excessive chimney draught. You should also check to make sure that the door seal is intact and correctly fitting.

If the stove is generating too little heat, this may be because you are firing with wet wood. In this case, much of the heating energy is used to dry the wood, resulting in poor heating economics and an increased risk of soot deposits in the chimney.

Check whether the air holes in the stones are blocked with for example ashes etc. Below the casted shaking grate is it possible to clean the air channel for the start-up airflow.

PURPOSE OF THE CONVECTION VENT

Stoves in the Scan-Line 80 series are radiated-heat stoves, which use several kilograms of soapstone and stone mass to store heat. You can get even more out of the stored heat by regulating the convection air flow. Once the stove has heated up, pull out the convection vent as shown in Fig. 1 to close the vent and prevent any more air from flowing through the stove. The stove will then release the heat slowly into the room over the next several hours.



Stove data table in accordance with EN 13240 testing

Stove type Scan-Line series	Nominal fluegas temperature, at 20°C room temperature	Smoke stub mm	Fuel volume kg	Draught min mbar	Nominal output tested kW	Heat output %	Distance to flammable materials in mm		Distance to furnitures from the stove in mm	Stove weight kg
							behind the stove	at the sides		
SL 80XL soapstone	267 C°	ø150	1,5	0,12	6,8	81	125	300	900	395
SL 80XL ceramics	267 C°	ø150	1,5	0,12	6,8	81	125	300	900	311
80 XLB baking oven soapstone	267 C°	ø150	1,5	0,12	6,8	81	125	300	900	388
80 XLB baking oven ceramics	267 C°	ø150	1,5	0,12	6,8	81	125	300	900	308

The nominal output is the output to which the stove has been tested. The test was carried out with the secondary air 80% open.

Maintenance

Cleaning the glass

Incorrect firing, for example using wet wood, can result in the viewing window becoming covered in soot. This soot can be easily and effectively removed by using proprietary stove glass cleaner.

Cleaning and repairing soapstone surfaces

Soapstone is a relatively soft natural product. It is therefore possible to repair scratches or other damage to the surface.

Cleaning soapstone surfaces

Clean soot, grease, etc. from surfaces using water and soft soap or similar.

- Spread the soap on the surface
- Let it stand a few minutes
- Rinse off the surface using hot water
- Once the surface is dry you can sand it gently if necessary using sandpaper (120 grit)

Minor scratches and impact marks

Gently sand using sandpaper (120 grit) until the scratches are gone. It is a good idea to use a sanding block. To maintain a uniform surface on

the stone, the entire surface should be gently sanded at the end.

Chipped surfaces

This section covers more serious damage, such as if a piece has chipped off or is missing. If the chipped off piece is intact, it can be glued in place using 'waterglass' (available from Heta A/S). Apply waterglass to the surfaces, clamp in place for 24 hours, then sand using sandpaper (120 grit). If a piece is missing or an impact mark is deep, you can repair the damage using a mix of soapstone powder and waterglass (available from Heta A/S). Mix the powder and waterglass to an appropriate consistency. Clean off any dust before applying the mixture. Brush the surface with waterglass to ensure good adhesion. Apply the soapstone mixture generously, as it contracts during hardening. Do a repeat application if necessary. The hardened surface can be sanded after 24 hours. Use 60-80 grit sandpaper initially, and then 120 grit sandpaper to finish.

Cleaning ceramic surfaces

The ceramics have a glazed surface and can be wiped with a damp cloth.

Guarantee

Heta wood stoves, are subjected to a strict quality control during production and before delivery to the dealer. Therefore, the duration of the warranty is **5 years** on this product, covering manufacturer's defects, **1 year** on paint adhesion defects from purchase date from Heta and a 3 months total warranty for seals, vermiculite and glass from the date of sale from the dealer.

Claims concerning stoves older than **3 months**, will be assessed by our quality team on a one-by-one basis. Report all claims to your dealer or local Heta representative, who in turn will contact Heta to solve the claim. To file a claim please provide date of installation, picture of the silver data sticker, model and a description of the issue and pictures.

The guarantee does not cover:

Wearing parts / fragile parts such as:

- Vermiculite elements in the combustion chamber.
- Glass
- Seals
- The cast bottom or shaking grate
- Surface or paint deteriorations due to excessive humidity, salinity or other aggressive environment
- Damage caused by improper use
- Transportation costs for warranty repair
- Assembly / disassembly of warranty repair
- Any secondary damages of the stove or it's environments due to negligence of any initial damages whether this damage is covered or not by the manufacturers guarantee.

Warning



Inadequate installation, unauthorized alteration to the stove or the use of non-original parts will void the guarantee.

Cleaning the oven

The oven should be cleaned using an appropriate household oven cleaning agent.

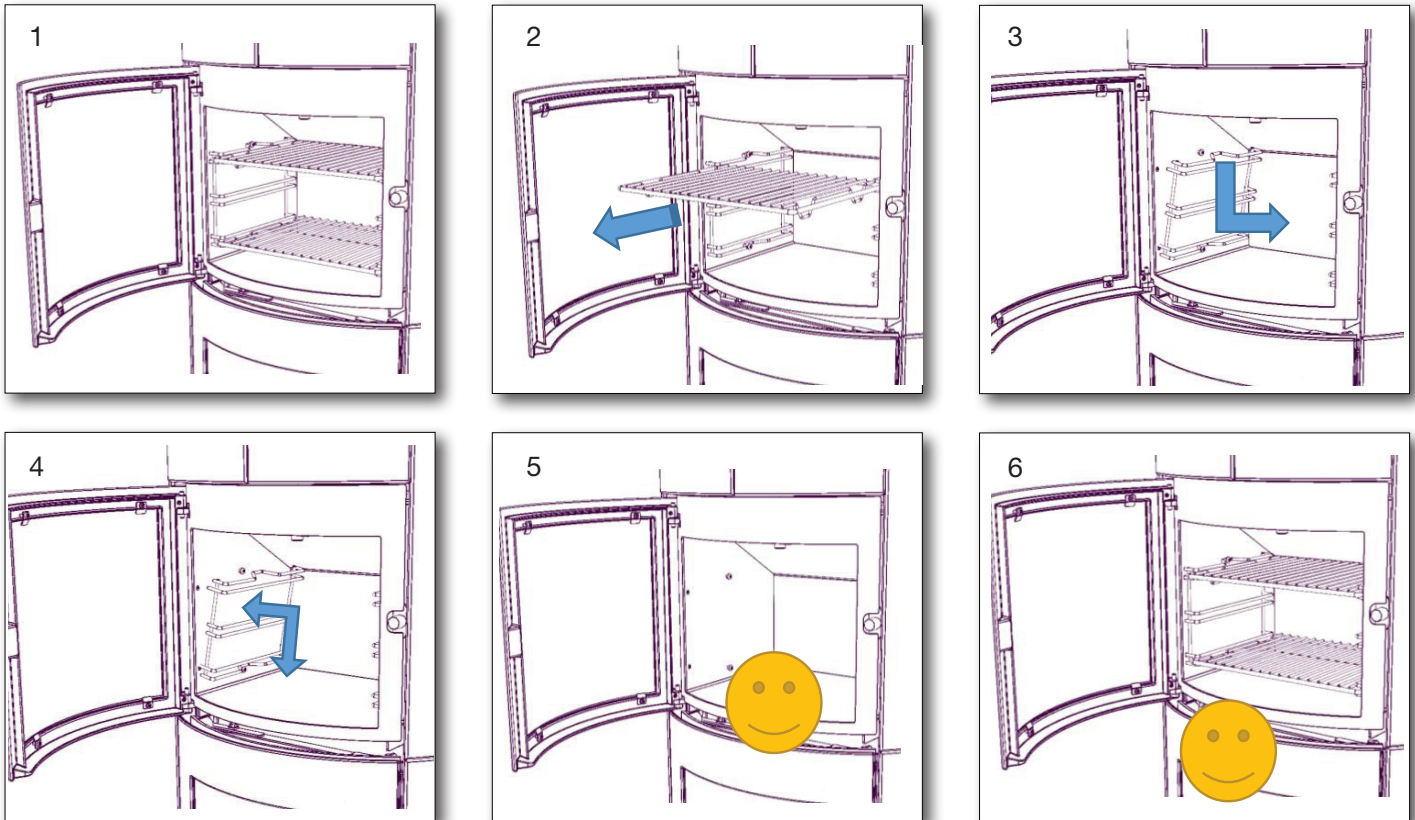


Diagram for the maintenance

Maintenance / Period	Stove Owner					Qualified Technicia	
	Before Autum	Daily	1 week	30 days	60-90 days	1st Year	2st Year
Cleaning the chimney (see. Chimney)	C						
Cleaning the chimney and stove	C				C		
Cleaning the stoves firebox	C	VI			C		
Cleaning combustion air intake	C				C		
Cleaning ash bucket	C		VI	C			
Cleaning of the firebox	C		VI	C			
Checking / switch, gasket for door	C/S	VI					C/S
Checking / changing, gasket for glass	C/S	VI					C/S
Checking / switch, gasket for ashpan	C/S	VI					C/S
Checking / changing gasket for flue pipe	C/S	VI					C/S
Checking / changing vermiculite	C/S	VI					C/S
Lubricate hinges	L	VI			L		
Lubricate lock	L	VI			L		
Lubricate Ash pan	L				L		

C = Cleaning

L = Lubricate whit graphite spray

C/S = Checking / Switch

VI = Visual Inspection, pos. cleaning/replacing/adjusting

Troubleshooting table - applies to all stove types

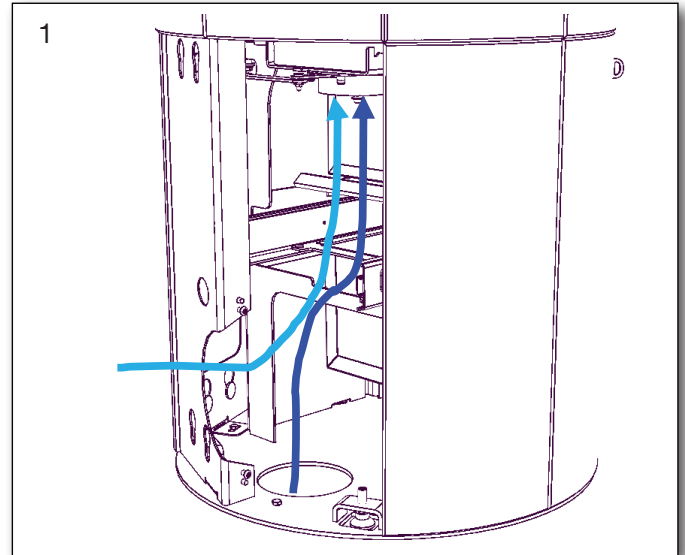
Fault	Cause	Troubleshooting	Solution
Lighting problems. When the stove is cold, smoke seeps into the room. Once the combustion chamber has heated up, the stove burns well.	Inadequate chimney draft. The chimney only has sufficient draft when it is hot.	You can test using a lighter whether flame is drawn into the combustion chamber.	Improve the chimney.
The stove burns poorly after the warm-up phase, and the glass slowly soots up.	Soot in the flue pipe.	Check the flue pipe regularly, as the problem arises slowly.	Clean regularly, and limit the use of horizontal flue pipes. Do not use firewood which generates large quantities of ash.
If the stove burns poorly after start-up, and the glass slowly soots up.	Inadequate chimney draft.	The fault usually already occurs during lighting. Measure the chimney draft.	Improve the chimney draft.
	Insufficient air supply.	Check the air supply.	Read the operating instructions and instruct all users.
	Damp wood.	Use clean, dry wood with a maximum moisture content of 20%.	Firewood should ideally be dried for at least one year after splitting.
	Firewood pieces too large.	Optimal size – see the section for firewood, max. diameter 10 cm.	Use smaller pieces of firewood.
	Insufficient air supply to the room. Range hoods, airtight windows, etc.	Ensure there is sufficient fresh air supply, open a window, check the outdoor air supply.	Depending on the cause, windows must be opened or the outdoor air connection cleaned.
	Insufficient air supply to the room. Range hoods, airtight windows, etc	Ensure there is sufficient fresh air supply, open a window, check the outdoor air supply.	Depending on the cause, windows must be opened or the outdoor air connection cleaned.
The vermiculite in the combustion chamber is becoming very worn.	Wood and flue gases wear down the vermiculite.	Investigate whether the wear is normal.	Normal wear and minor cracks are of no significance. It should be replaced when the steel of the combustion chamber is visible.
Too rapid combustion.	Too much chimney draft.	To test, you can open the cleaning hatch, but remember to close it again.	Measure the chimney draft and install a damper in the flue pipe if necessary.
	The door or ash pan/drawer seal is defective.	While cold, close a piece of paper in the door – the seal should hold the paper gently in place so it does not fall out by itself. Normal wear.	Replace the seal.
The vermiculite in the combustion chamber is cracked.	Shocks or impacts while adding firewood.	Normal wear	Cracks only have cosmetic significance. Replace when the steel of the combustion chamber is visible.
Steel surfaces in the combustion chamber have oxidised.	The temperature in the combustion chamber is too high.	Unsuitable fuel is being used (such as coal). Check the quantity of firewood being used, read the operating instructions.	If there are clear cracks or weaknesses in the stove body, it must be replaced.
The stove whistles	Too much chimney draft	To test, you can open the cleaning hatch, but remember to close it again.	Install a damper.
The stove 'clunks'	Usually due to tension in the metal plates.	Generally only occurs while heating up and cooling down.	Adjust the metal plates.
The stove ticks	Normal expansion and contraction due to temperature changes.	A normal sound.	Ensure that the temperature in the combustion chamber is as constant as possible.
The stove creaks.	The temperature in the combustion chamber is too high.	Use less firewood. Also check the seal in the ash pan/drawer.	See the operating instructions.
The stove smells. The surface is steaming.	The paint on the stove surface is not yet fully hardened.	See the operating instructions regarding the first firing.	Ensure there is sufficient ventilation.
Condensation in the combustion chamber.	Moisture in the vermiculite.	Check the condition of the vermiculite.	Evaporates by itself after the stove has been lit a few times.
	Damp wood.	Measure the moisture content.	Use dry firewood.
Condensation from the flue pipe.	The pipe is too long or the chimney is too cold.	Check the flue pipe's length and heat loss.	Improve the flue pipe, insulate the chimney.
	Damp wood	Measure the moisture content.	Use dry firewood.
Moving parts creak.	Needs lubrication.	What part.	Lubricate with graphite spray.

CONNECTING EXTERNAL AIR SUPPLY (OUTSIDE AIR)

The stove allows connection to outside air through a Ø 100 mm inlet

An aluflex Ø 100 mm hose is recommended (available from Heta), which can handle temperatures up to 200° C

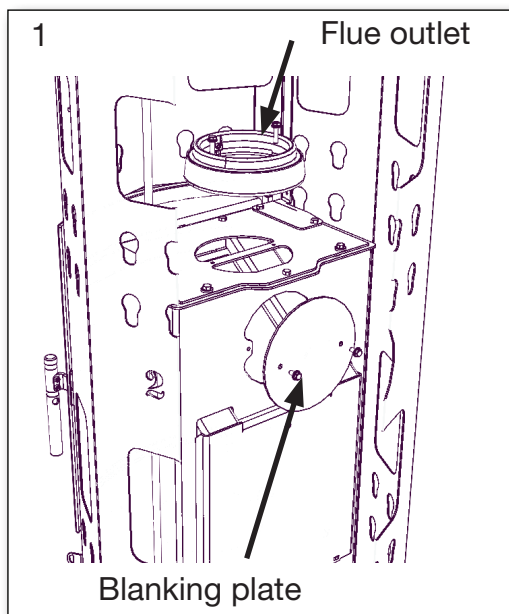
Fig. 1 illustrates the two options – downwards or backwards.



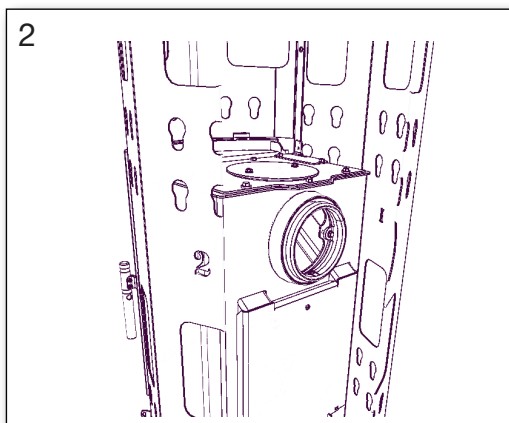
Changing flue outlet position from top to rear

The stove flue outlet position must be changed to the rear position before installing the cladding. It is a good idea to remove the two heat storage stones before making the change.

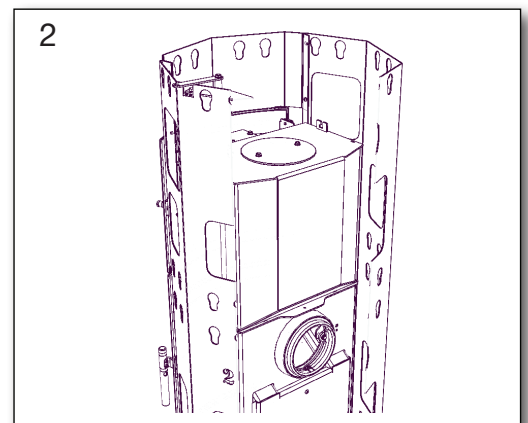
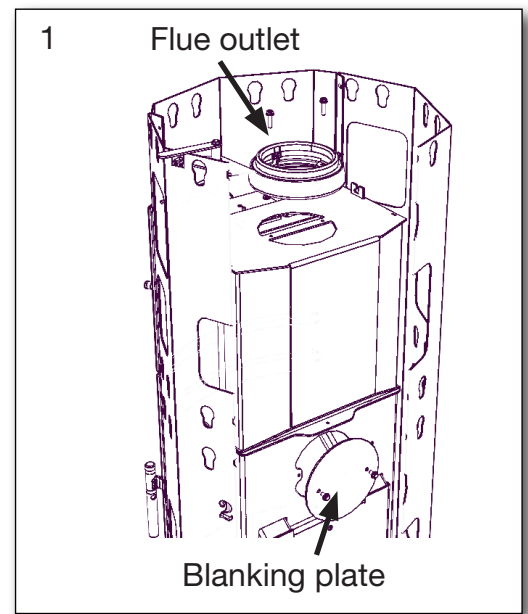
Scan-Line 80XL



Swap the flue outlet connector with the blanking plate on the rear.



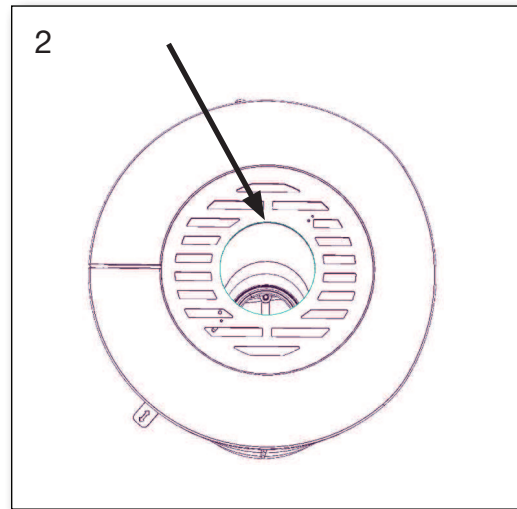
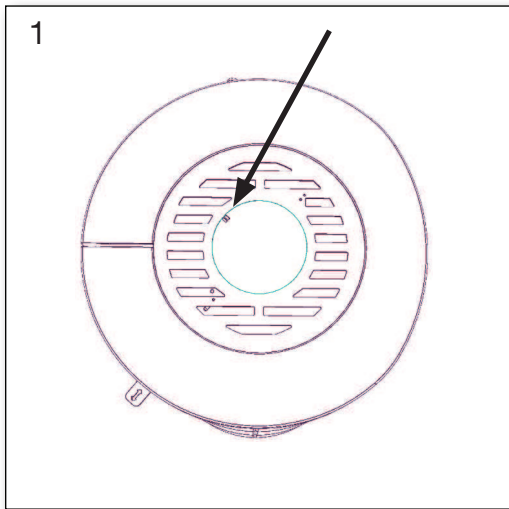
Scan-Line 80XLB



After swapping the flue outlet connector and blanking plate, the stove is ready for rear flue connection.

For top flue outlet

Cut the small metal bridge connecting the cover to the convection vent.

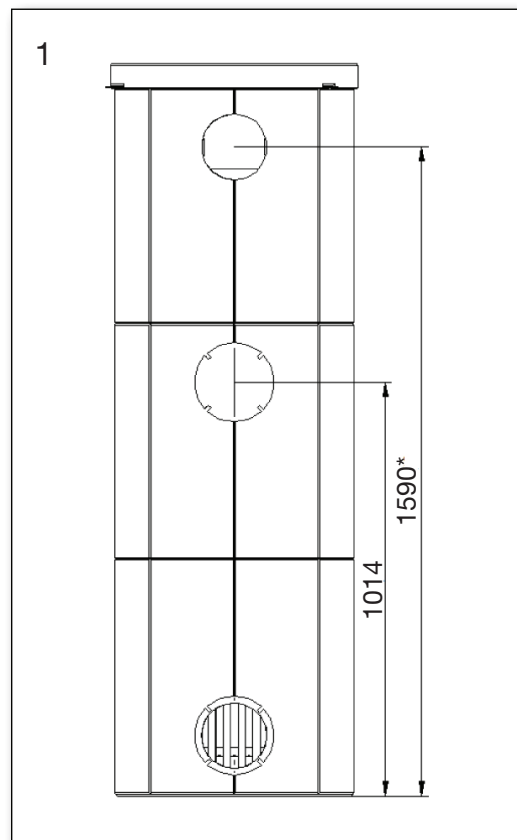


For rear flue outlet

If the rear flue outlet is being used, the cover in the convection vent must NOT be removed.

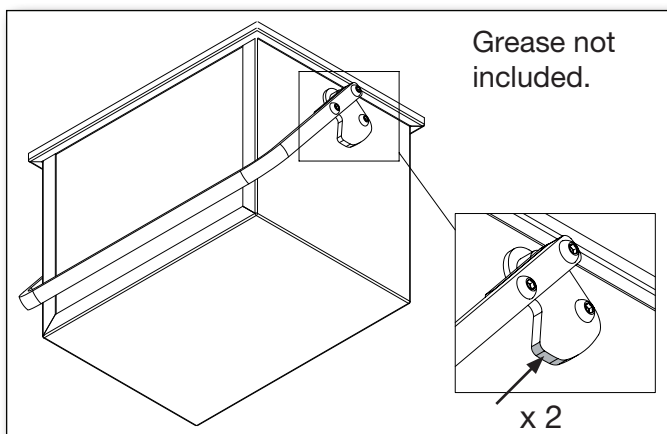
The cladding must be positioned with holes at the top, in line with the installation instructions for soapstone/ceramic stoves on page 14 and 15.

The dimensions on the drawing fig. 1 have been measured from the bottom edge of the backplate, and do not take into account the height of the adjustable feet.



* Only for Scan-Line 80 XL
- not oven model

Lubricate Ash pan



Cleaning after sweeping the chimney and replacing the stones



INSTALLING SOAPSTONE AND CERAMIC PANELS

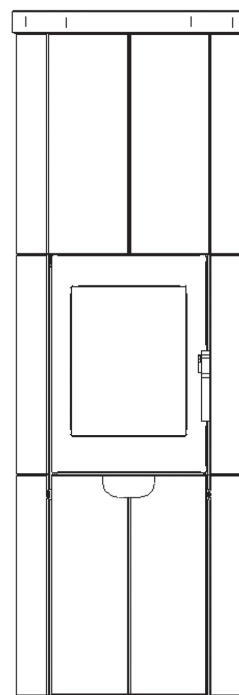


Heta recommends that stove installation be carried out by two people.

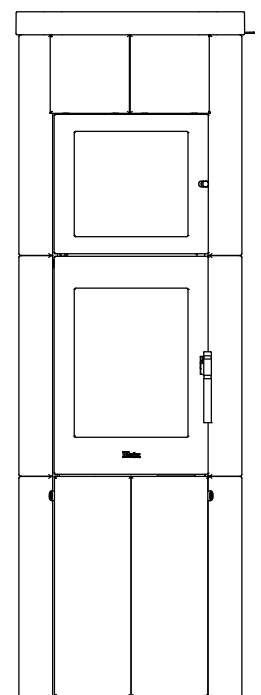
The soapstone and ceramic panels must be handled with extreme care, as the corners and edges are very fragile.

If the rear flue outlet is to be used, it is best to change this before installing the cladding. See the operating instructions at page 11.

Before commencing installation, ensure that the stove is level.



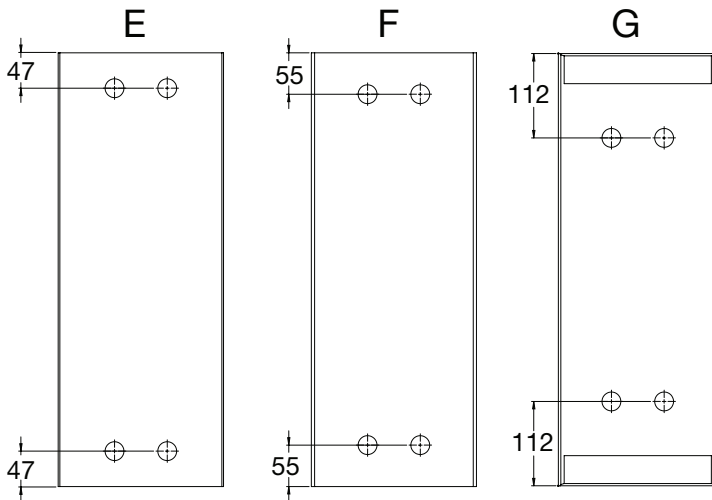
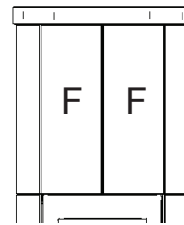
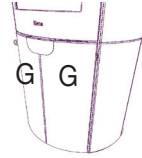
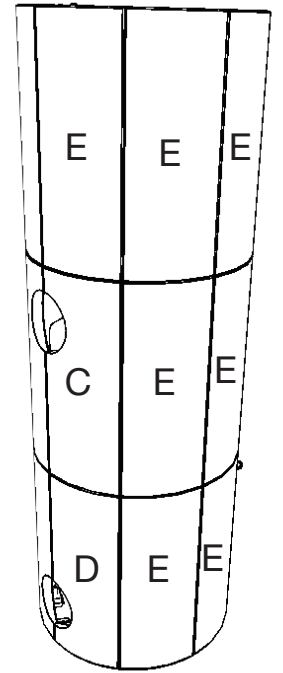
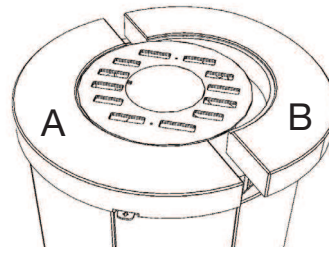
Scan-Line 80 XL



Scan-Line 80 XLB

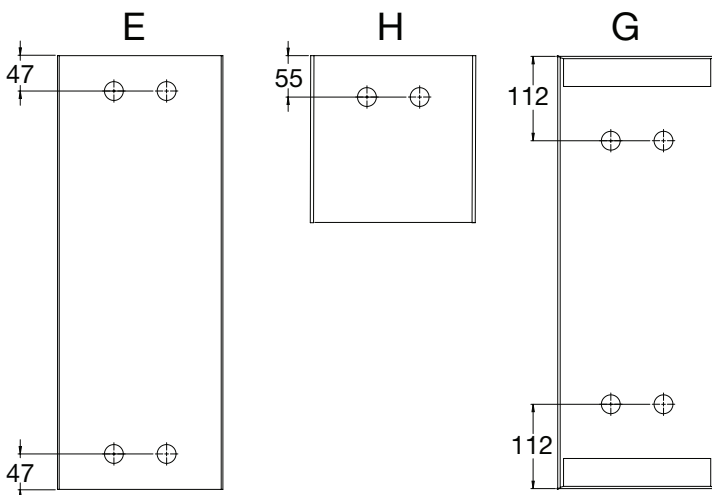
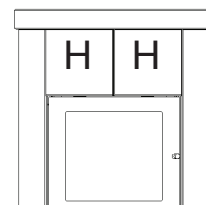
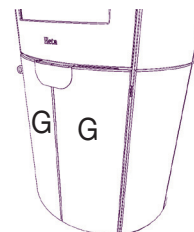
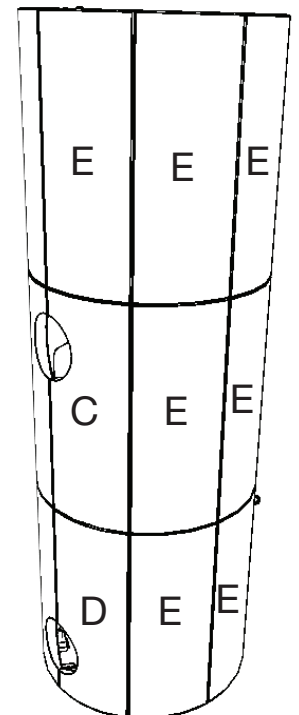
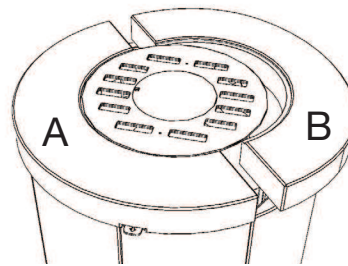
Soapstone cladding with product numbers Scan-Line 80 XL

	Product no. soapstone	Qty SL 80 XL
A	0023-2277	1
B	0023-2278	1
C	0023-2279	2
D	0023-2280	2
E	0023-2281	14
F	0023-2282	2
G	0023-2283	2



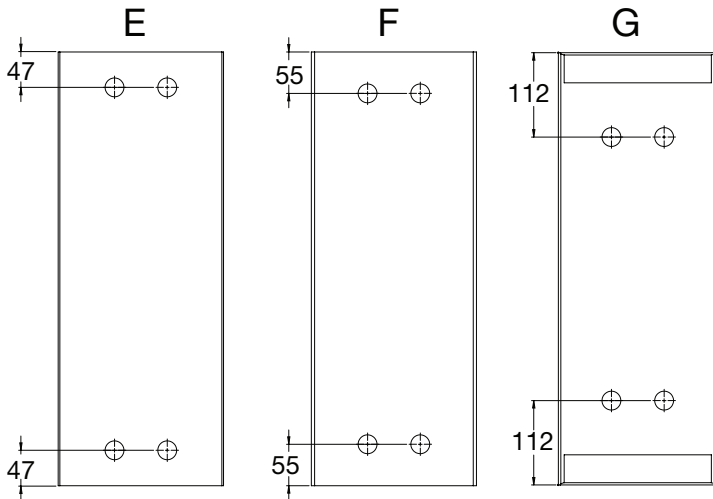
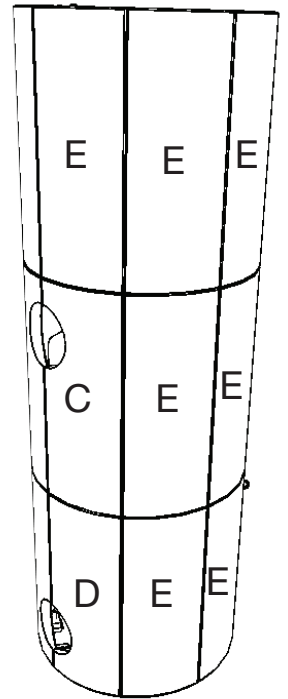
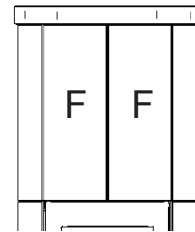
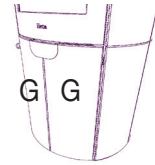
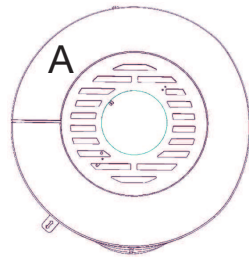
Soapstone cladding with product numbers Scan-Line 80 XLB

	Product no. soapstone	Qty SL 80 XLB baking oven
A	0023-2277	1
B	0023-2278	1
C	0023-2279	2
D	0023-2280	2
E	0023-2281	14
G	0023-2283	2
H	0023-2381	2



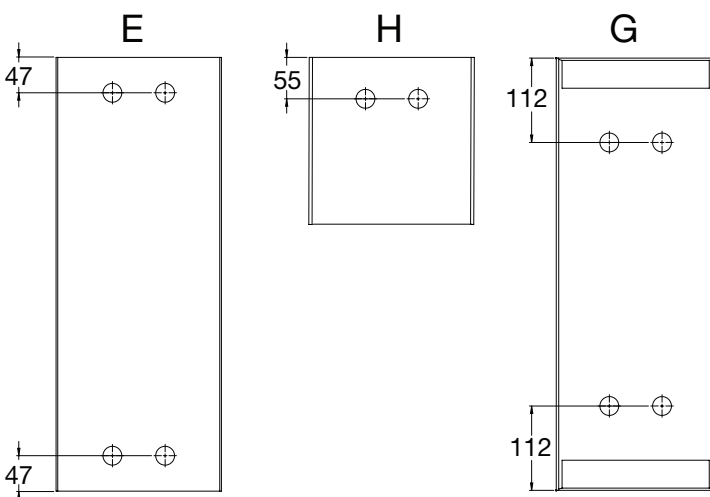
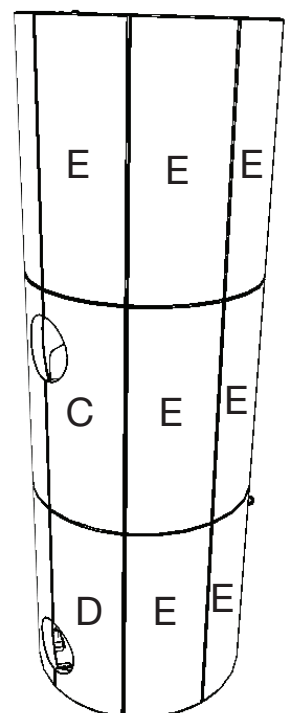
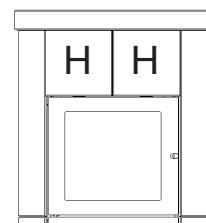
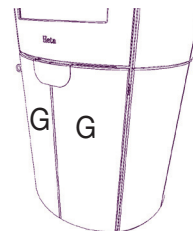
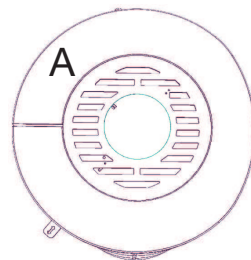
Ceramic cladding with product numbers Scan-Line 80 XL

	Product no. ceramic	Qty SL 80 XL
A	0023-2365	1
C	0023-2366	2
D	0023-2367	2
E	0023-2368	14
F	0023-2369	2
G	0023-2370	2



Ceramic cladding with product numbers Scan-Line 80 XLB

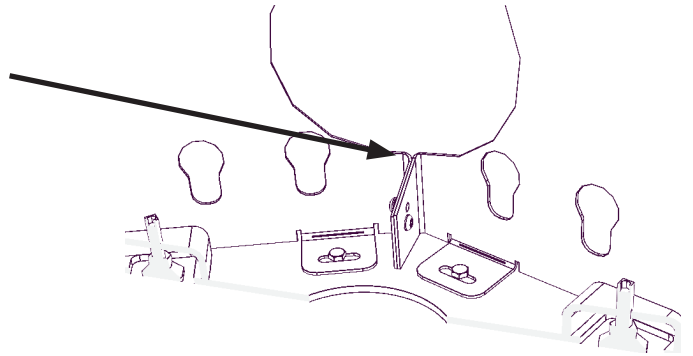
	Product no. ceramic	Qty SL 80 XLB baking oven
A	0023-2365	1
C	0023-2366	2
D	0023-2367	2
E	0023-2368	14
G	0023-2370	2
H	0023-2372	2



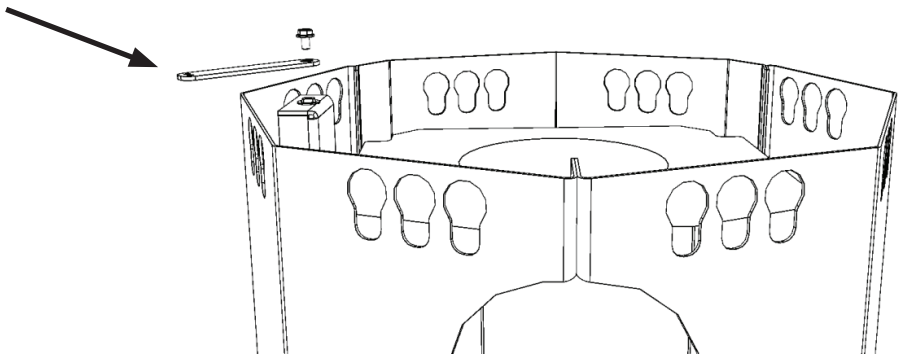
Scan-Line 80 XL

Stoves are shipped from the factory with a 1 mm gap between the side plates.

This gap can be adjusted using screws (6 pieces) to match the space between cladding panels C and D.



Remove the air adjustment lever before installing the cladding. (10 mm spanner)

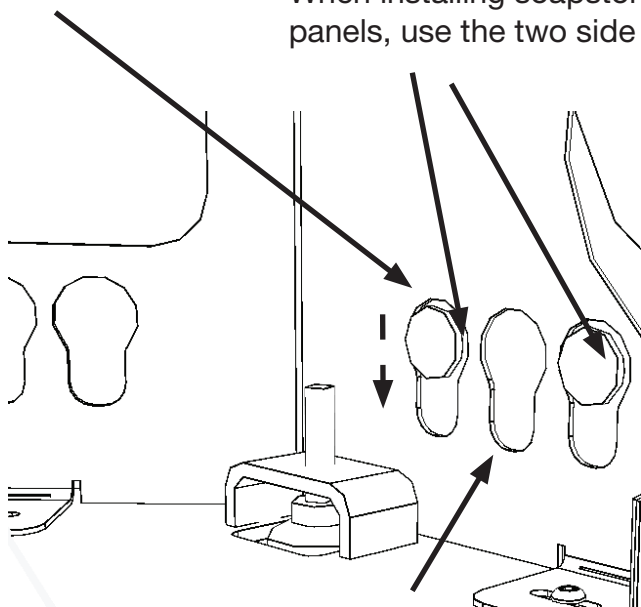


Start installing the cladding at the bottom rear section of the stove.

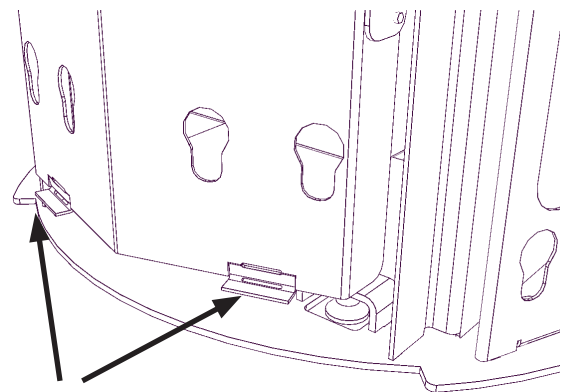
The first cladding stone (C or D) has a hole for outside air connection.

Place the cladding stone against the side panel and insert the mounting pegs (47 mm from the top of the cladding stone) in the large circular holes in the keyholes. Let the stone slide down so the pegs are at the bottom of the keyholes.

When installing soapstone panels, use the two side holes



When installing ceramic panels, use the middle hole.



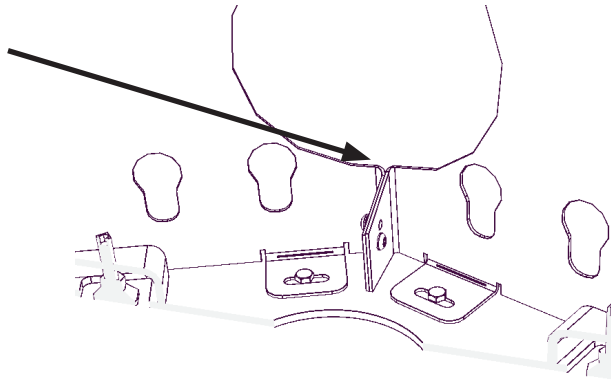
These two brackets may need to be adjusted up or down to adjust the height of the soapstone/ceramic panels in relation to the door.

This can be done using pliers or a hammer.

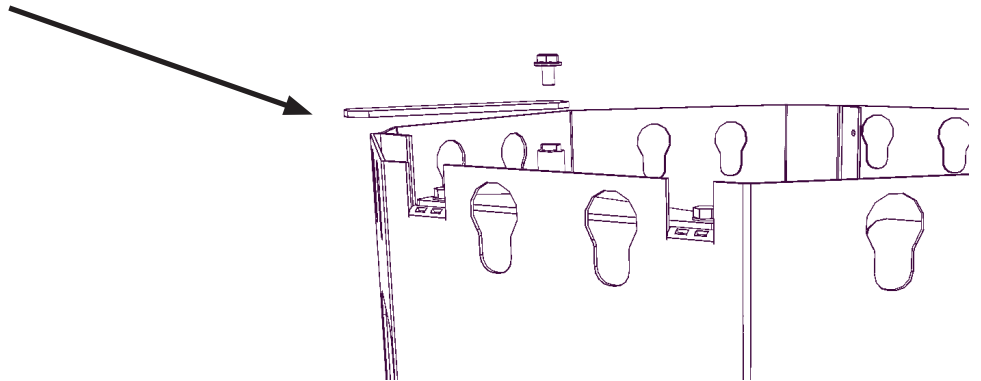
Scan-Line 80 XLB

Stoves are shipped from the factory with a 1 mm gap between the side plates.

This gap can be adjusted using screws (6 pieces) to match the space between cladding panels C and D.

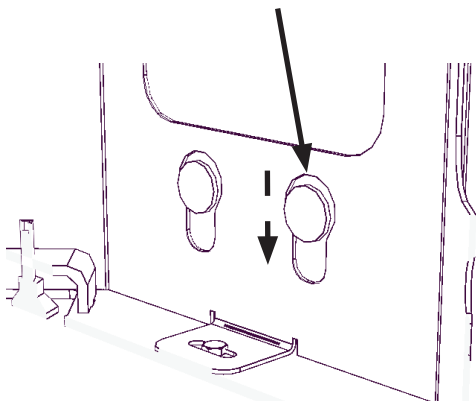


Remove the air adjustment lever before installing the cladding. (10 mm spanner)

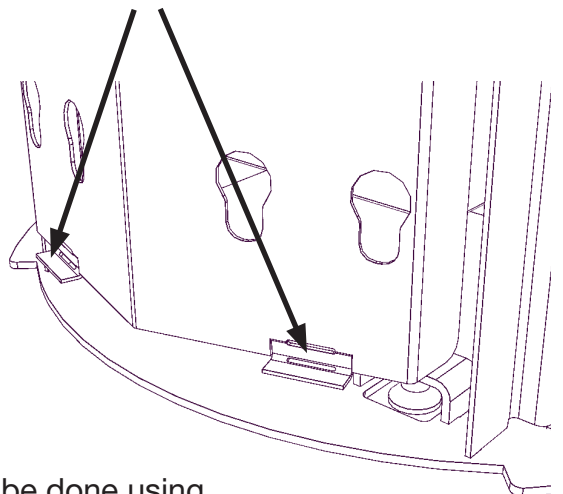


Start installing the cladding at the bottom rear section of the stove. The first cladding stone (C or D) has a hole for outside air connection.

Attach the cladding stone to the casing and insert the mounting pegs (47 mm from the top of the cladding stone) in the large circular holes in the keyholes, close to the side panel. Let the stone slide down so the pegs are at the bottom of the keyholes.

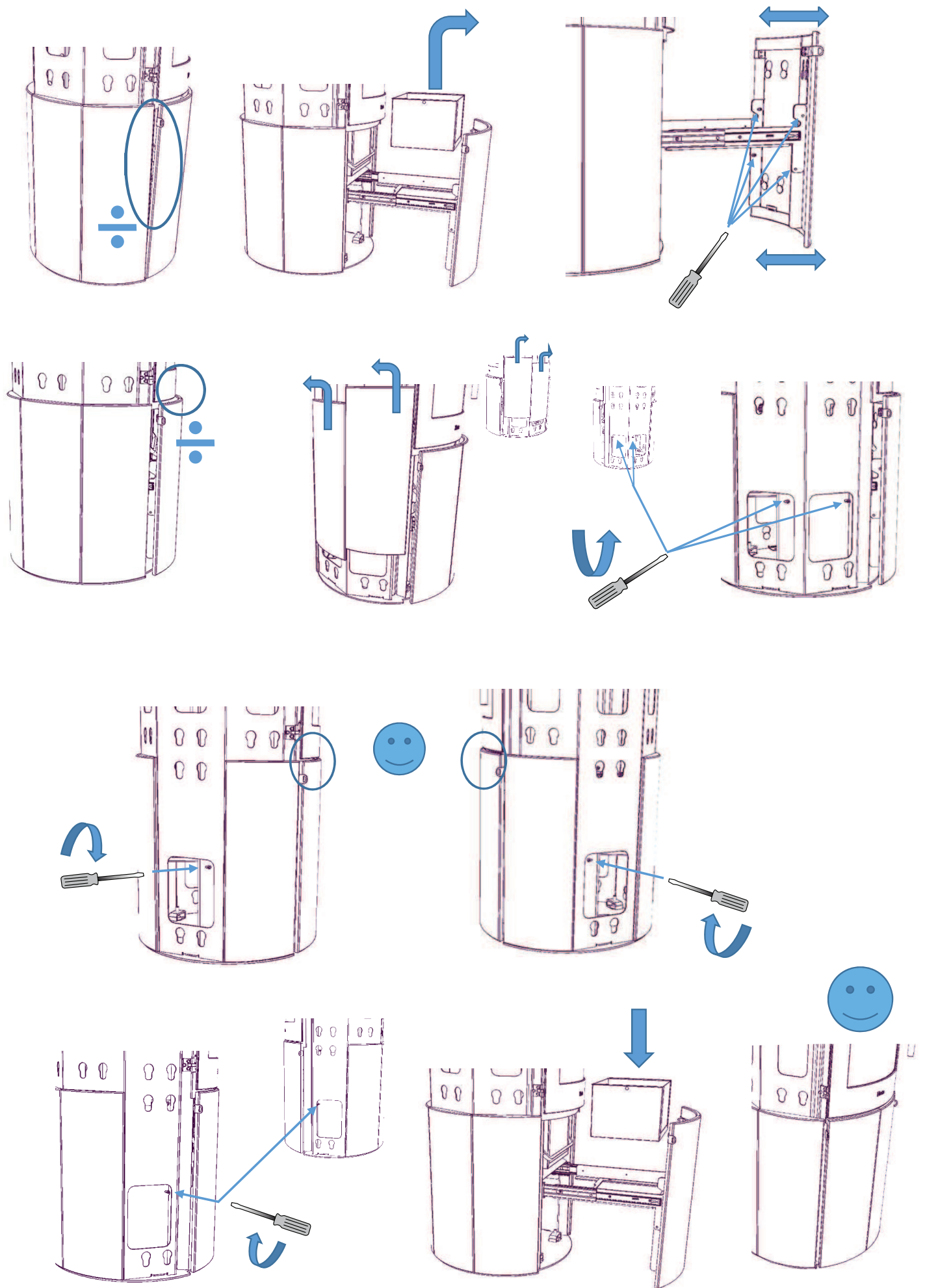


These two brackets may need to be adjusted up or down to adjust the height of the soapstone/ceramic panels in relation to the door.



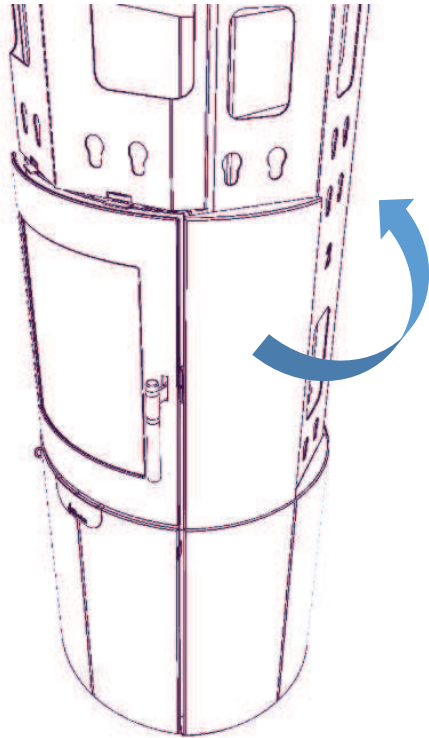
This can be done using pliers or a hammer.

Scan-Line 80 XL and Scan-Line 80 XLB

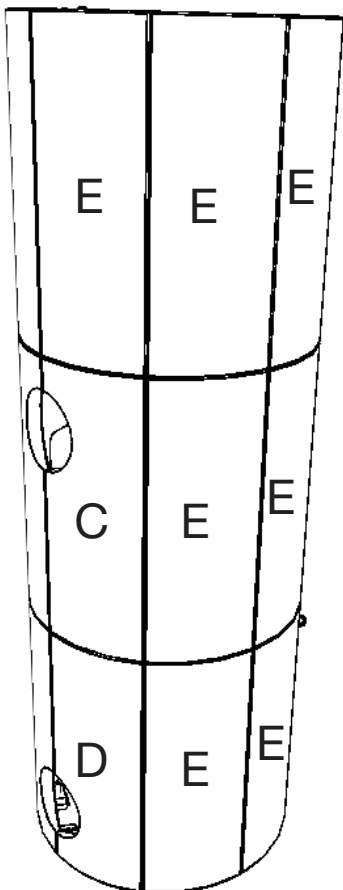


Scan-Line 80 XL

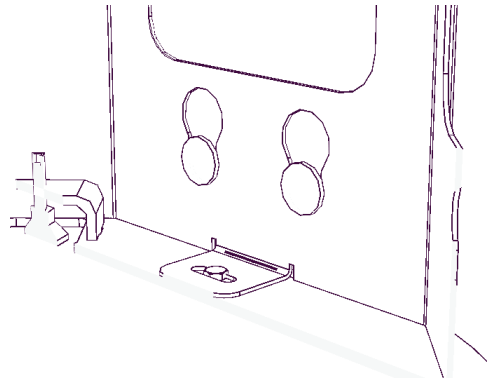
Start by mounting the cladding stone to the right of the door and work around the oven.



The soapstone panels have no fixed top or bottom, leaving you free to orient them how you wish.



The mounting pegs should rest at the bottom of the keyholes when the cladding has been positioned correctly.



Install all the panels in the bottom row before starting on the second row of cladding stone.

Fourteen cladding stone panels (E) are needed for the Scan-Line 80 XL.

These panels can be arranged however you want, as the same type of cladding stone panels are used on the opposite side of the stove.

The panels will most likely require minor adjustment after installation (as soapstone is a natural stone, and there is a high tolerance in the production process for ceramic panels). Do this by pushing the soapstone/ceramic panels sideways until the distances between the cladding stones are equal.

Only sideways adjustment is possible.

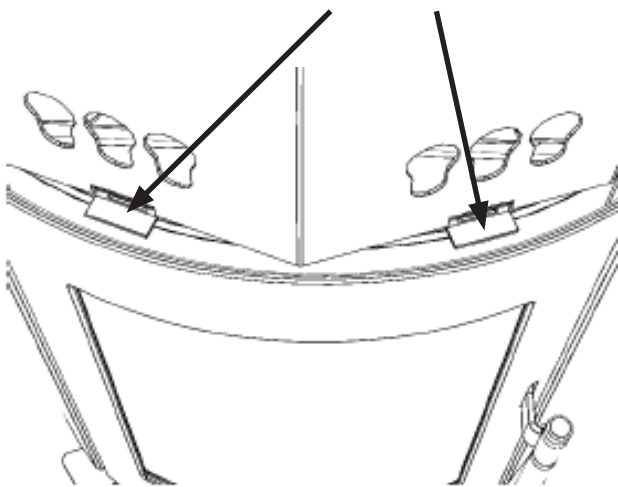
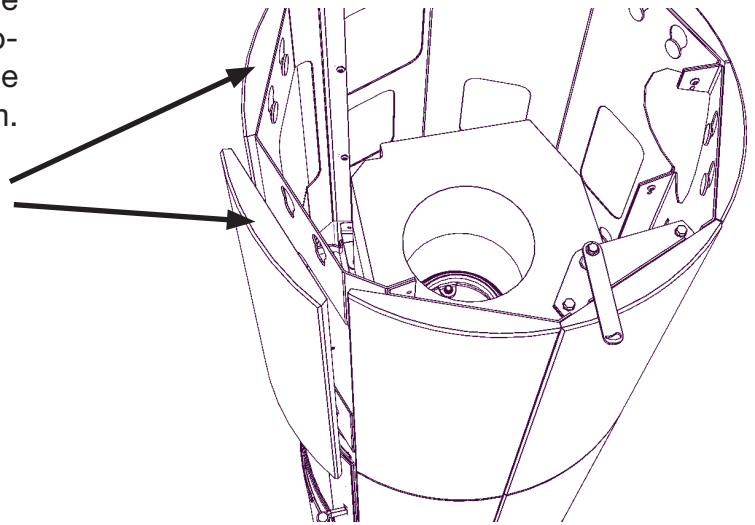
Scan-Line 80 XL

Once the cladding stones (E) have been installed, install the top front stones (F). Follow the same procedure as for the other cladding stones, except that the distance from the top of the cladding stones to the mounting pegs is 55 mm.

These two cladding stones (F) are interchangeable.

These two brackets may need to be adjusted up or down to adjust the height of the soapstone/ceramic panels.

This can be done using pliers or a hammer.

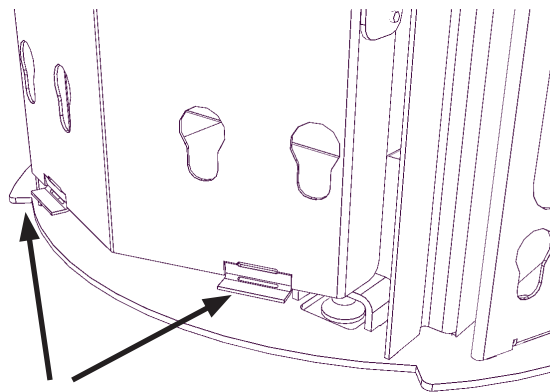


The soapstone/ceramic panels may need to be adjusted to be level with the cladding stones on the sides of the stove. Do this by loosening the four screws, two on each side. (use a 4 mm hex key)

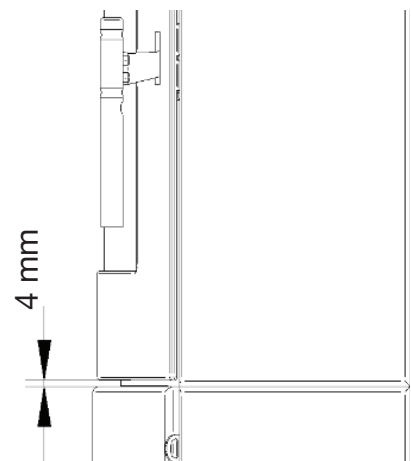
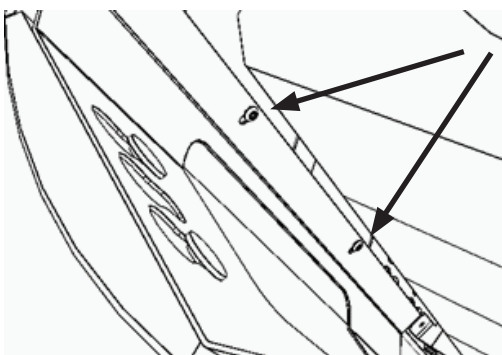
Start by loosening the bottom two screws while the cladding is attached. Push the cladding in or out as required. Do the same with the top two screws.

These two brackets may need to be adjusted up or down to adjust the height of the soapstone/ceramic panels in relation to the door.

This can be done using pliers or a hammer.



There are two screws on each side for adjusting the front stone.



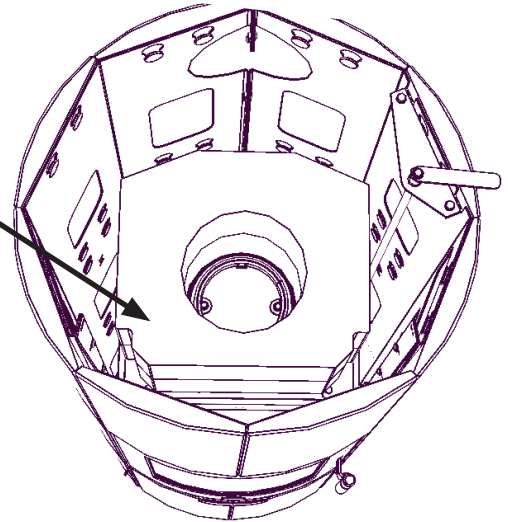
When adjusting the cladding under the door, it must be min. 4 mm air between door and cladding.

Scan-Line 80 XL

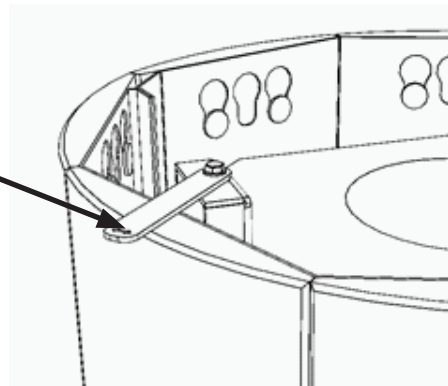
There is space for up to four 0023-0121 thermastones near the top flue outlet on the Scan-Line 80 XL, which can be installed before or after the cladding is installed.

The Scan-Line 80 XL is shipped from the factory with two thermastones. The other two can be purchased as optional extras.

Remove the transportation bracket before using the stove or installing additional thermastones.

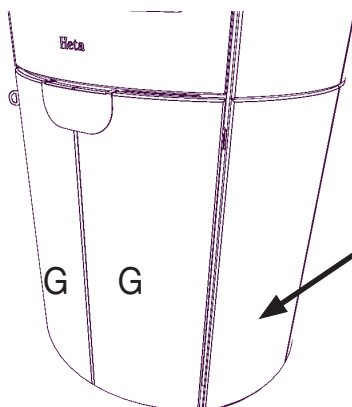
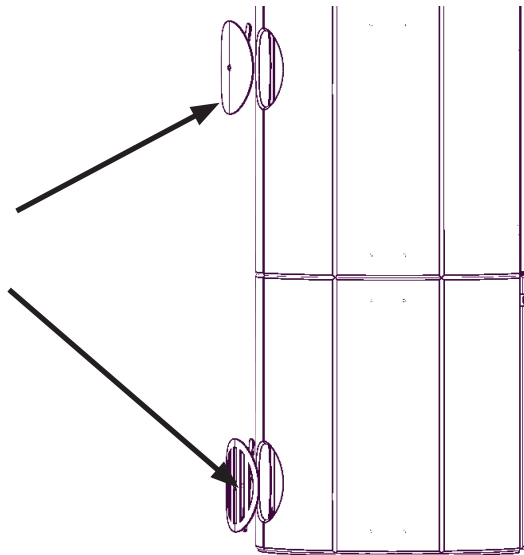


Screw the air adjustment lever back into place after installing the side cladding, before installing the top cladding.



These two cover plates should be installed once the cladding stones have been installed. Cover plate 4027-0039 is not used if the rear flue outlet is being used.

Cover plate 4027-0037 is not used if the outside air connection is being used.

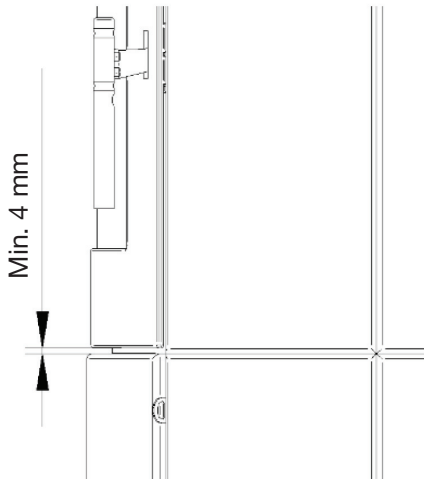


Install the front stones near the door (G) following the same procedure as for the other stones.

Pull the door out slightly before installation. These stones are also interchangeable.

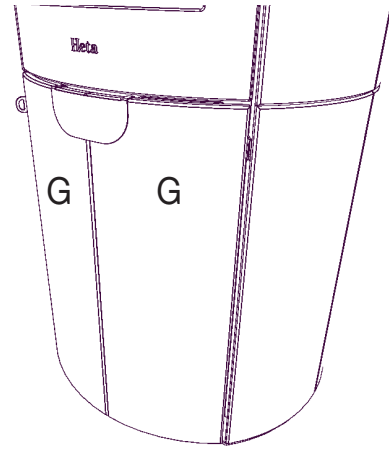
Install the sign afterwards (only on the soapstone model).

Scan-Line 80 XLB



When adjusting the cladding under the door, it must be min. 4 mm air between door and cladding.

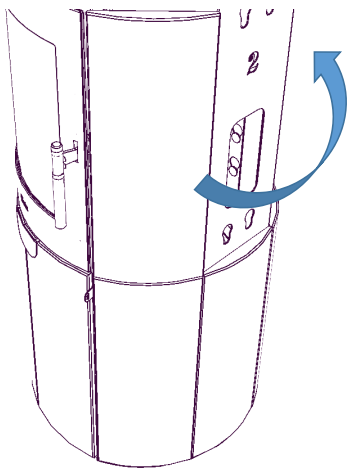
Install the front stones near the door (G) following the same procedure as for the other stones.



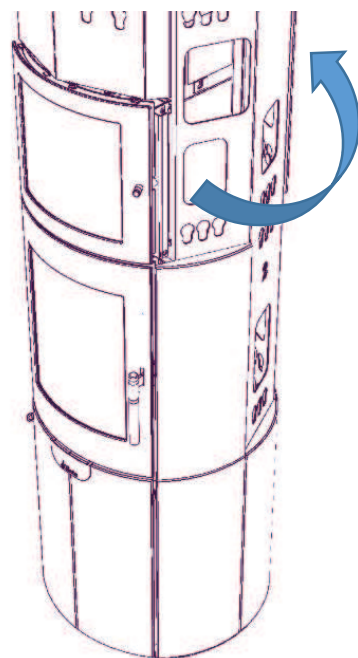
Pull the door out slightly before installation. These stones are also interchangeable.

Install the sign afterwards (only on the soapstone model).

Start by attaching the tiles to the right of the door and work your way around the stove.



Start again by attaching the tiles to the right of the oven door and work your way around the stove.



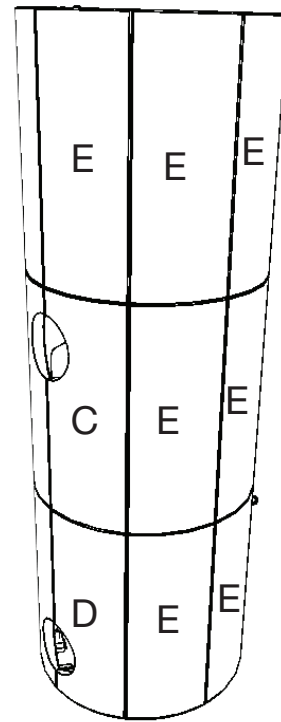
Scan-Line 80 XLB

The soapstone panels have no fixed top or bottom, leaving you free to orient them how you wish.

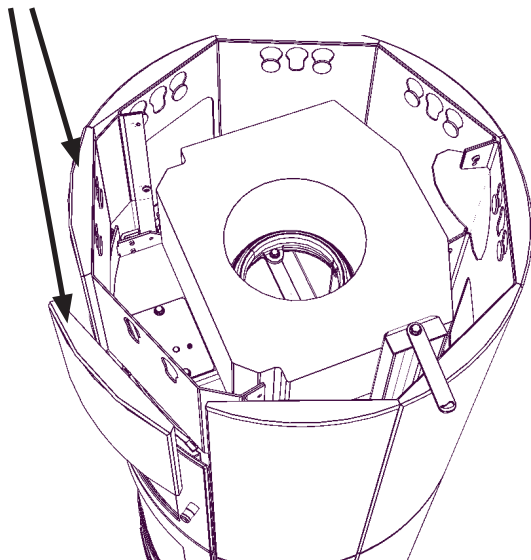
Fourteen cladding stone panels (E) are needed for the Scan-Line 80 XLB baking oven. These panels can be arranged however you want, as the same type of cladding stone panels are used on the opposite side of the stove.

The soapstone and ceramic panels will most likely require minor adjustment after installation. Soapstone is a natural stone and the ceramic tiles have a relatively high tolerance in the production process.

Only sideways adjustment is possible.

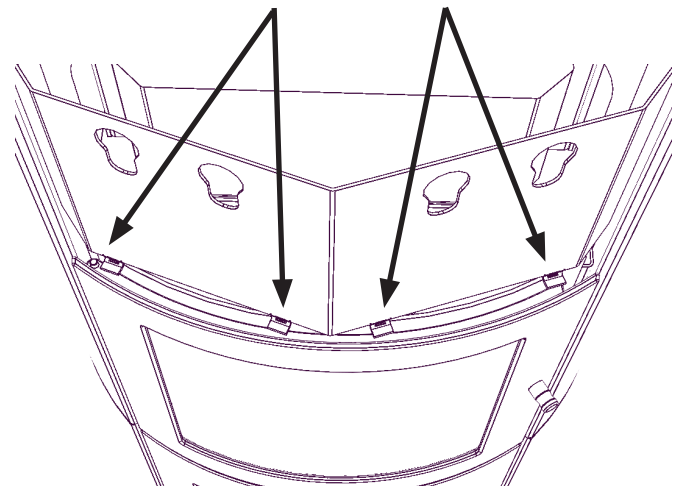


These two cladding stones (H) are interchangeable.



These four brackets may need to be adjusted up or down to adjust the height of the soapstone/ceramic panels.

This can be done using pliers or a hammer.



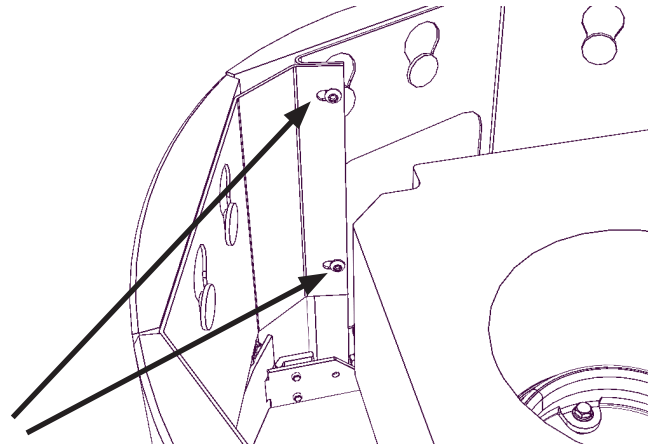
Once the cladding stones (E) have been installed, install the top front stones (H). Follow the same procedure as for the other cladding stones, except that the distance from the top of the cladding stones to the mounting pegs is 55 mm.

Scan-Line 80 XLB

The soapstone/ceramic panels may need to be adjusted to be level with the cladding stones on the sides of the stove. Do this by loosening the four screws, two on each side. (use a 4 mm hex key)

Start by loosening the bottom two screws while the cladding is attached. Push the cladding in or out as required. Do the same with the top two screws.

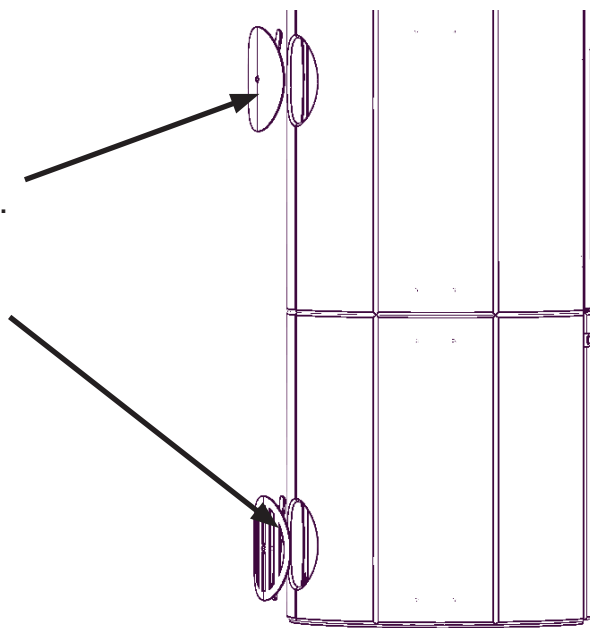
There are two screws on each side for adjusting the front stone.



These two cover plates should be installed once the cladding stones have been installed.

Cover plate 4027-0039 is not used if the rear flue outlet is being used.

Cover plate 4027-0037 is not used if the outside air connection is being used.

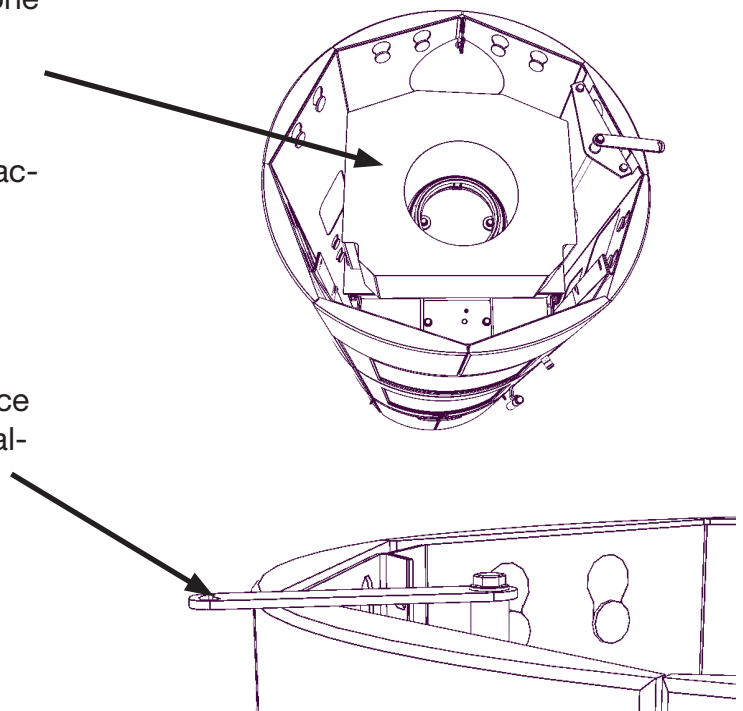


There is space for one 0023-0121 thermastone near the top flue outlet on the Scan-Line 80 XLB oven, which can be installed before or after the cladding is installed.

The Scan-Line 80 XLB is shipped from the factory with the thermastone.

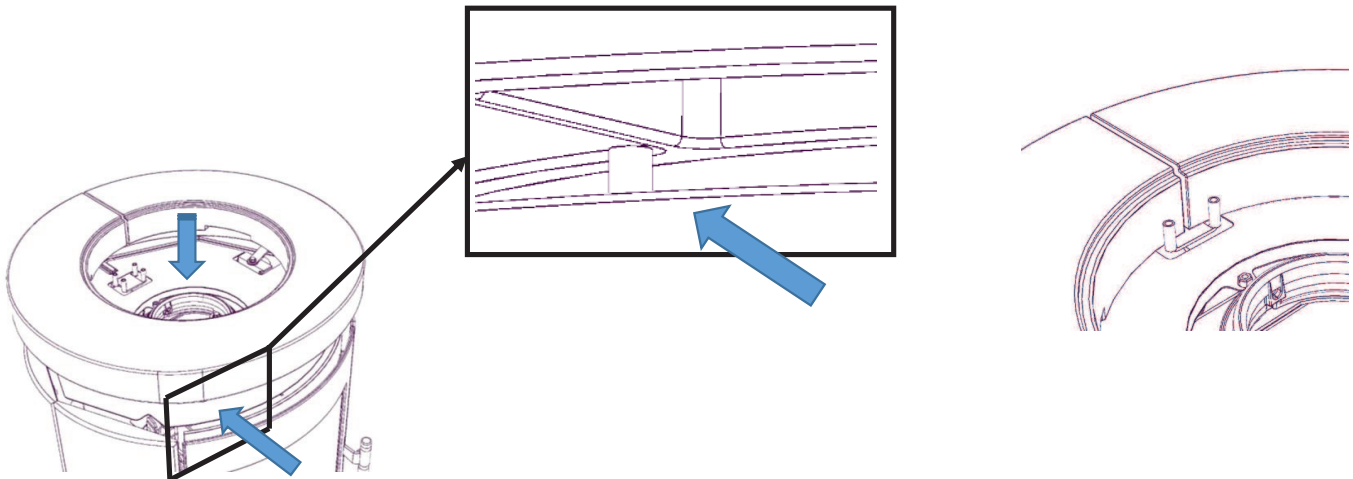
Remove the transportation bracket before using the stove or installing additional thermastones.

Screw the air adjustment lever back into place after installing the side cladding, before installing the top cladding.



Scan-Line 80 XL and Scan-Line 80 XLB

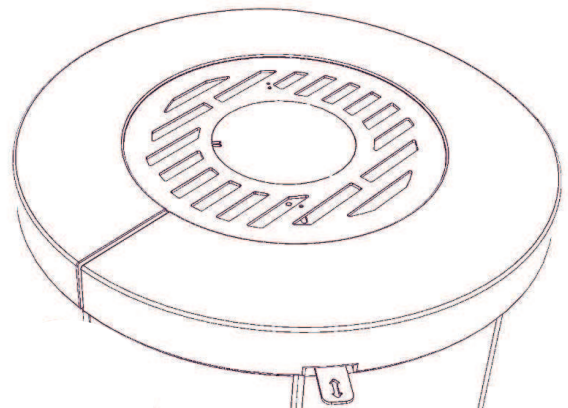
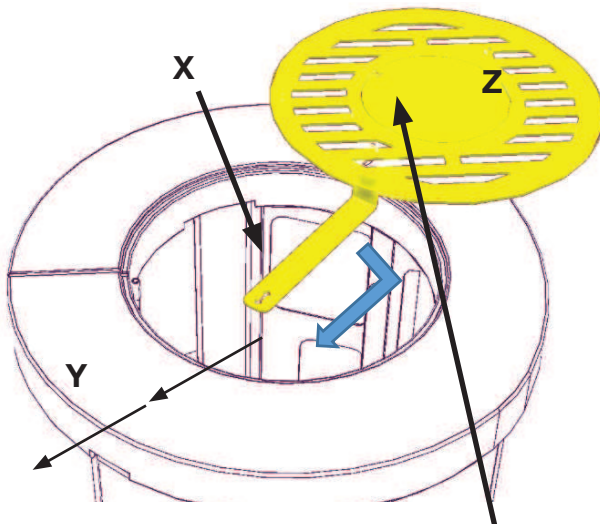
INSTALLATION OF CERAMIC TOP AND CONVECTION TOP PANEL



Install the convection top panel as follows:

1: push (x) into the slot (y) in the top stone.

2: then push (z) into position in the hole between the top stones.



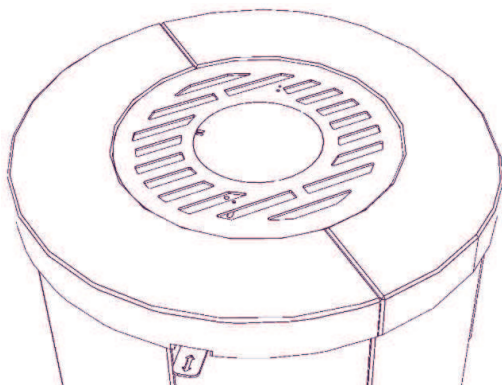
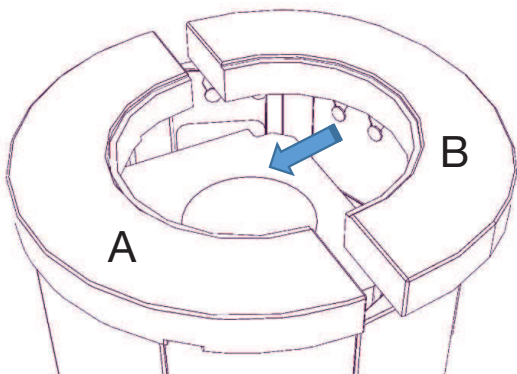
If the top flue outlet is being used, remove the centre cover plate using pliers.

Correct installation of the convection top panel and top cladding.

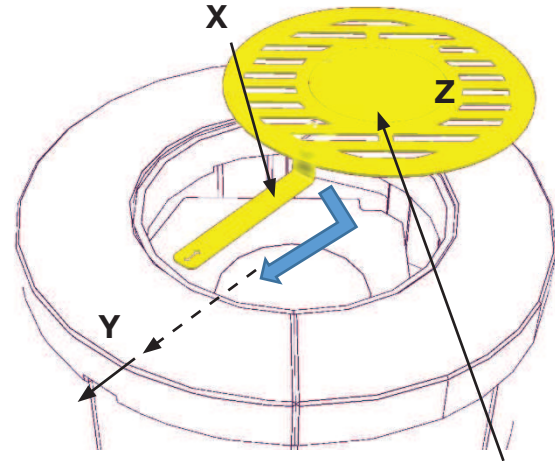
Scan-Line 80 XL and Scan-Line 80 XLB

INSTALLATION OF SOAPSTONE TOP AND CONVECTION TOP PANEL

When installing the top cladding, place (A) first. Then install (B).



Install the convection top panel as follows:
1: push (x) into the slot (y) in the top stone.
2: then push (z) into position in the hole between the top stones.



If the top flue outlet is being used, remove the centre cover plate using pliers.

Correct installation of the convection top panel and top cladding.

Appendix A

The Clean Air Act 1993 and Smoke Control Areas Under the Clean Air Act local authorities may declare the whole or part of the district of the authority to be a smoke control area. It is an offence to emit smoke from a chimney of a building, from a furnace or from any fixed boiler if located in a designated smoke control area. It is also an offence to acquire an "unauthorised fuel" for use within a smoke control area unless it is used in an "exempt" appliance ("exempted" from the controls which generally apply in the smoke control area).

The Secretary of State for Environment, Food and Rural Affairs has powers under the Act to authorise smokeless fuels or exempt appliances for use in smoke control areas in England. In Scotland and Wales this power rests with Ministers in the devolved administrations for those countries. Separate legislation, the Clean Air (Northern Ireland) Order 1981, applies in

Northern Ireland. Therefore it is a requirement that fuels burnt or obtained for use in smoke control areas have been "authorised" in Regulations and that appliances used to burn solid fuel in those areas (other than "authorised" fuels) have been exempted by an Order made and signed by the Secretary of State or Minister in the devolved administrations.

The Scan-Line 800 series have been recommended as suitable for use in smoke control areas when burning dry wood logs.

Further information on the requirements of the Clean Air Act can be found here:
<http://smokecontrol.defra.gov.uk/>

Your local authority is responsible for implementing the Clean Air Act 1993 including designation and supervision of smoke control areas and you can contact them for details of Clean Air Act requirements.

Ecodesign
EU Declaration of Conformity

DoC Scan-Line 800 1447-2017

Product fiche



Manufacturer	Heta A/S
Address	Jupitervej 22, DK 7620 Lemvig
E-mail	heta@heta.dk
Website	www.heta.dk
Telephone	+45 9663 0600

Model identifier	Scan-Line 800, 810, 820, 820B, 820S, 830B, 830S, 840, 840B, 850, 80XL, 80XLB serie
-------------------------	--

The identified product described above is in conformity with:		
The relevant EU harmonized regulations:		
DIR 2009/125/EF		
REG (EU) 2015/1185		
REG (EU) 2015/1186		
REG (EU) 2017/1369		
REG (EU) 305/2011		
The relevant harmonized standards		
EN 13240:2001/A2:2004		
CEN/TS 15883:2010		

Characteristics when operating with the preferred fuel only		
Heat output		
Item	Symbol	Value/Unit
Nominal heat output	P_{nom}	6,8 kW
Minimum heat output	P_{min}	
Useful efficiency (NCV as received)		
Useful efficiency at nominal heat output	$\eta_{th, nom}$	81%
Useful efficiency at minimum heat output	$\eta_{th, min}$	
Auxiliary electricity consumption		
At nominal heat output	el_{max}	- kW
At minimum heat output	el_{min}	- kW
In standby mode	el_{SB}	- kW


Type of heat output/room temperature control	
single stage heat output, no room temperature control	Yes
two or more manual stages, no room temperature control	No
with electronic room temperature control	No
with electronic room temperature control	No
with electronic room temperature control plus day timer	No
with electronic room temperature control plus week timer	No

Other control options	
room temperature control, with presence detection	No
room temperature control, with open window detection	No
with distance control option	No

Notified body relevant to the assessment and verification of constancy of performance
Danish Technological Institute, DK-8000 Aarhus No. 1235. Report no. 300-ELAB-1447-EN-Rev-4

Fuel	Preferred fuel	Other suitable fuel
Wood logs with moisture content $\leq 25\%$	Yes	No
Compressed wood with moisture content $< 12\%$	No	No
Other woody biomass	No	No
Non-woody biomass	No	No
Anthracite and dry steam coal	No	No
Hard coke	No	No
Low temperature coke	No	No
Bituminous coal	No	No
Lignite briquettes	No	No
Peat briquettes	No	No
Blended fossil fuel briquettes	No	No
Blended biomass and fossil fuel briquettes	No	No
Other blend of biomass and solid fuel	No	No

Emissions at nominal heat output	η_s %	mg/Nm ³ (13 % O ₂)			
		PM	OGC	CO	NO _x
	≥ 65	≤ 40	≤ 120	≤ 1500	≤ 200
	71	24	48	705	85

Technical documentation	
Indirect heating functionality:	No
Direct heat output:	6,8 kW
Energy Efficiency Index (EEI):	EEI 107
Fluegas temperature at nominal heat output	T 267°C
Energy efficiency class	

Safety	
Reaction to fire	A1
Test of fire safety in connection with the burning of wood	Approved
Distance to combustible materials Rear. Without insulation / with insulation	Minimum distances in mm 125
Sides distance to combustible materials	300
Furniture distance	900

Signed on behalf the manufacturer of 07.02.2022

Heta A/s
JUPITERVEJ 22 - DK-7620 LEMVIG
TLF. +45 9663 0600 - FAX +45 9663 0616
Martin Bach

The chimney sweep's signature Date _____

Signature _____

